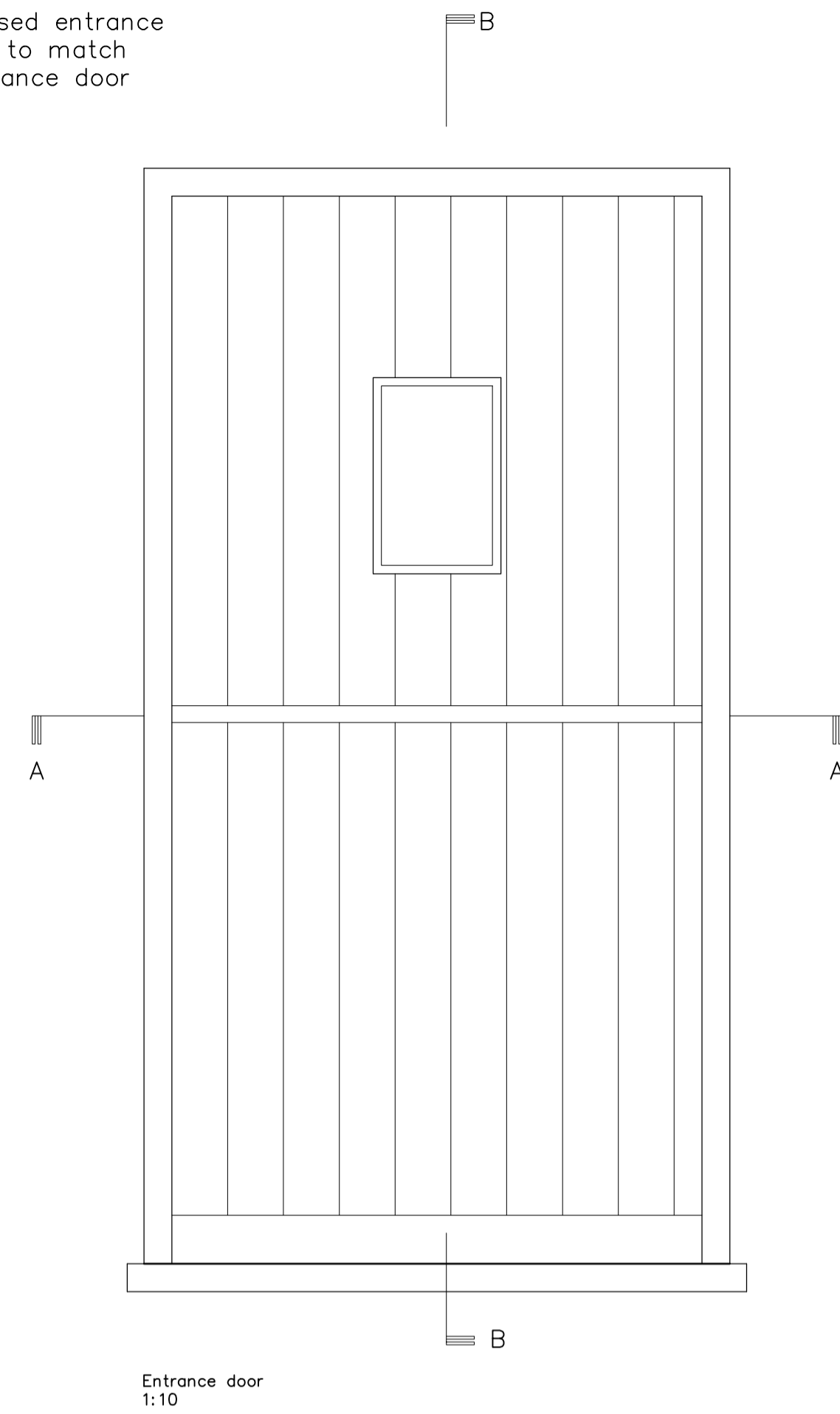
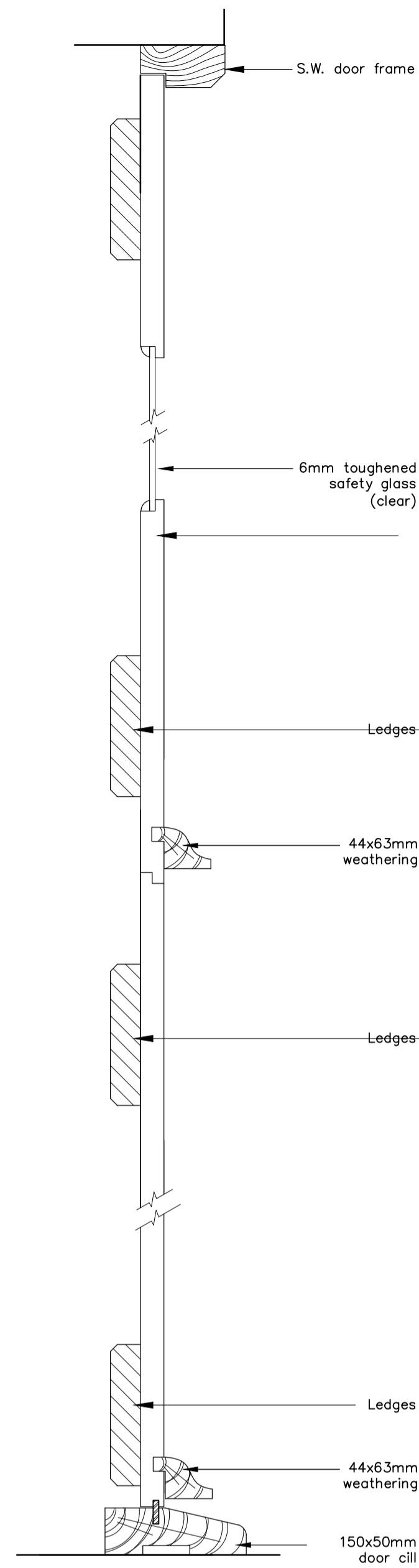


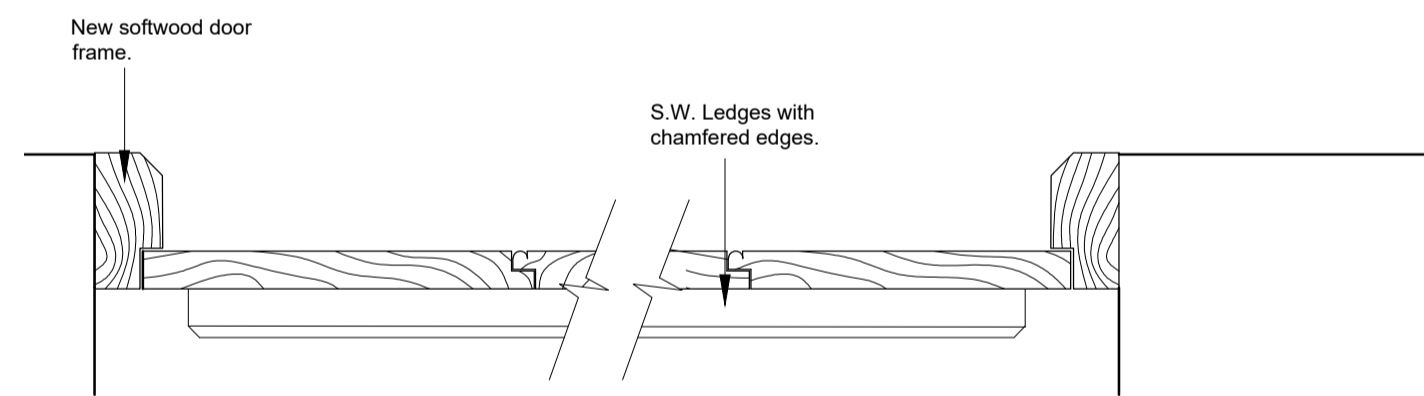
Note: Proposed entrance door details to match existing entrance door



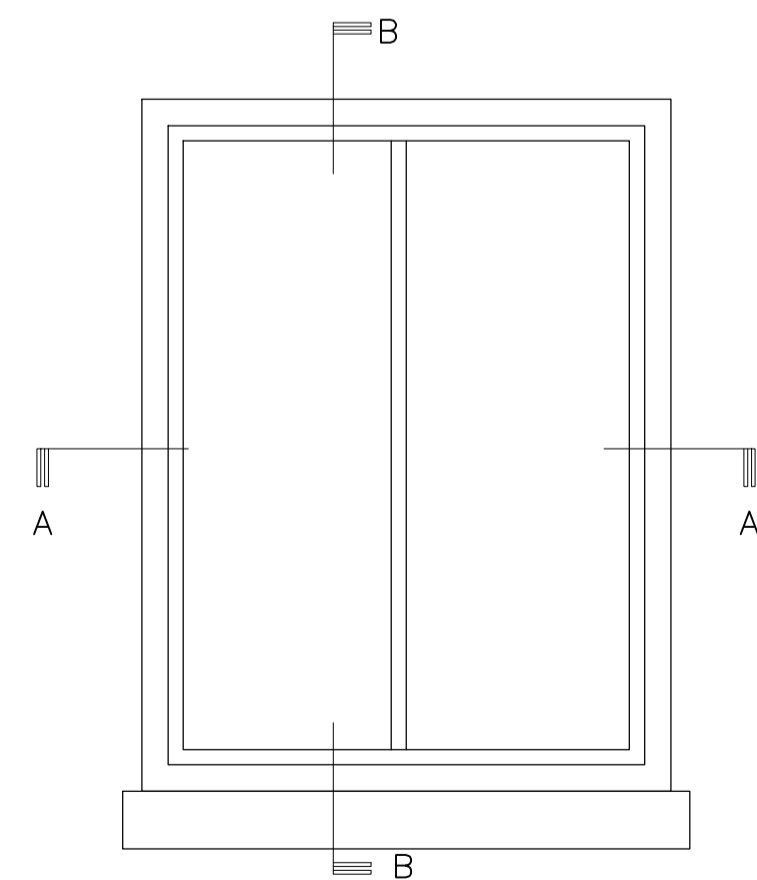
Entrance door
1:10



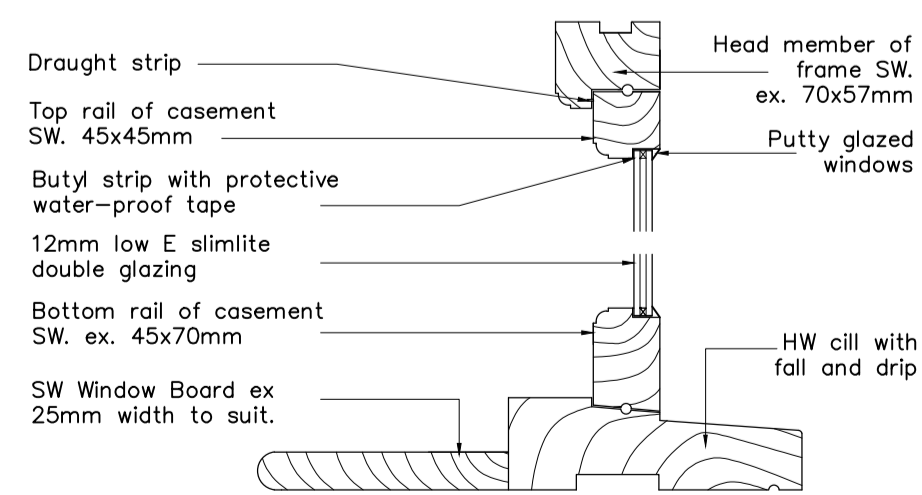
Entrance door
B-B Vertical Section
1:5



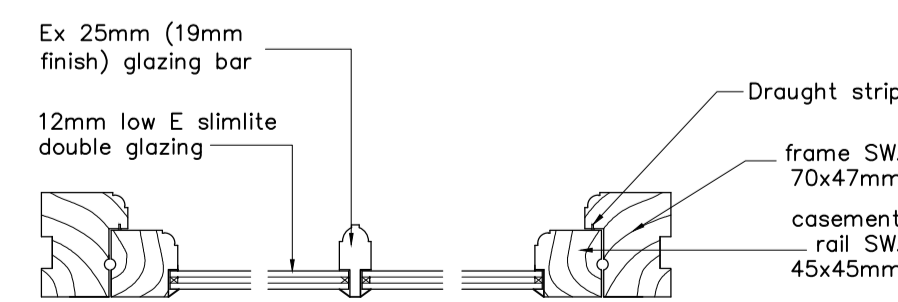
Entrance door
A-A Horizontal section
1:5



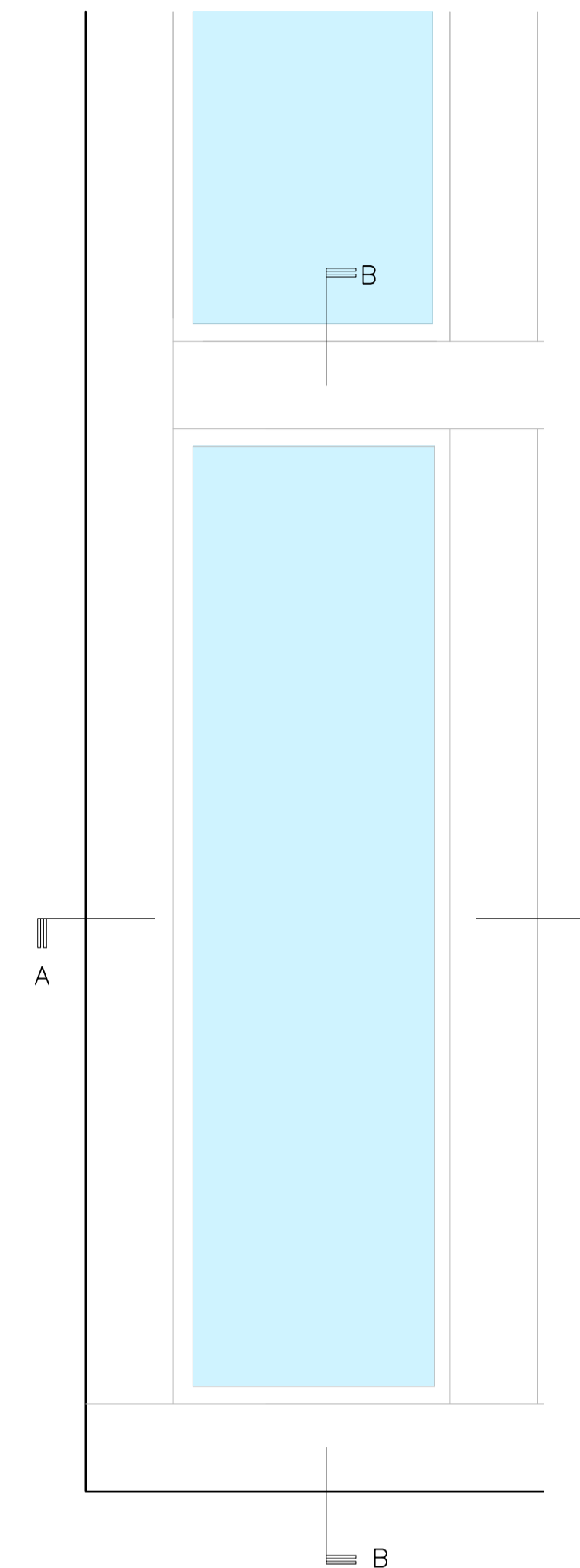
Cable window
1:10



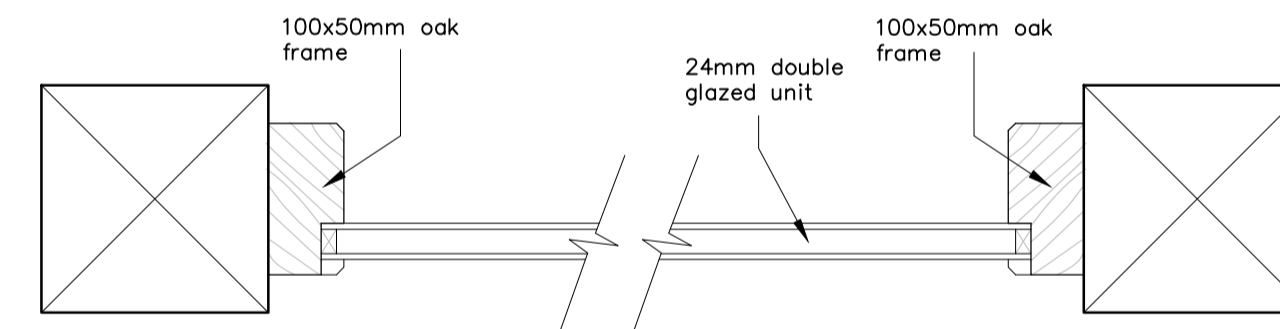
Cable Casement
B-B vertical section
1:5



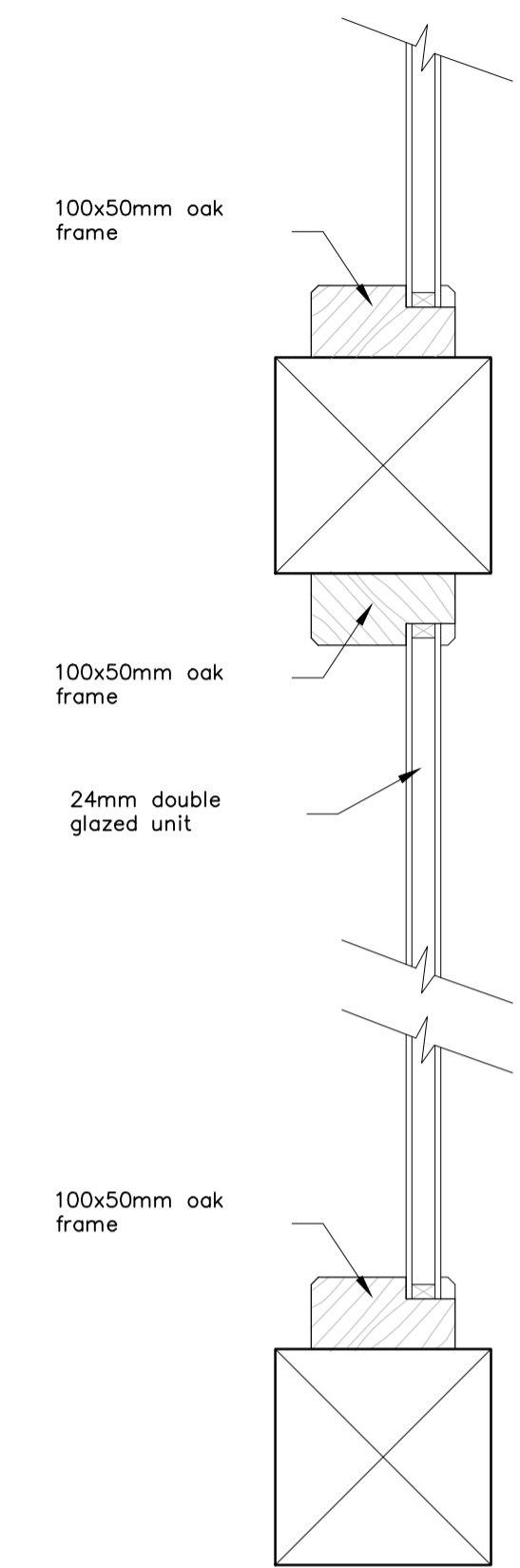
Timber frame glazing
A-A Horizontal section
1:5



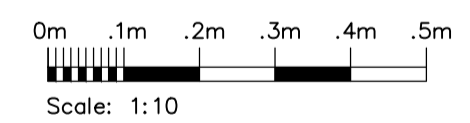
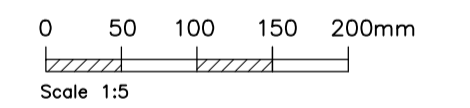
Timber frame glazing
1:10



Timber frame glazing
A-A Horizontal section
1:5



Timber frame glazing
B-B Vertical section
1:5



revision	description	date
Rev A.	Details added	Jan 2021

Client:	Mr Purcival		
Job Title:	Bridge Farm, Ash Street, Semer		
Drawing Title:	Proposed door and window details		
Scale:	Drawn By:	Date:	
1:10 1:5	A1 LS	Jan 2021	
Job Number:	Drawing Number:	Status:	
6272	08	Preliminary	

whitworth

Chartered Architects & Chartered Building Surveyors
18 Hatter Street, Bury St Edmunds, Suffolk, IP33 1NE
01284 760421 info@whitworth.co.uk www.whitworth.co.uk

NOTE:
Do not scale from this drawing. Confirm all dimensions on site. Refer any discrepancies to the Architect before work is put in hand. Read this drawing in conjunction with the relevant sections of the specification, schedule of works and other drawings.

This drawing is copyright of whitworth.