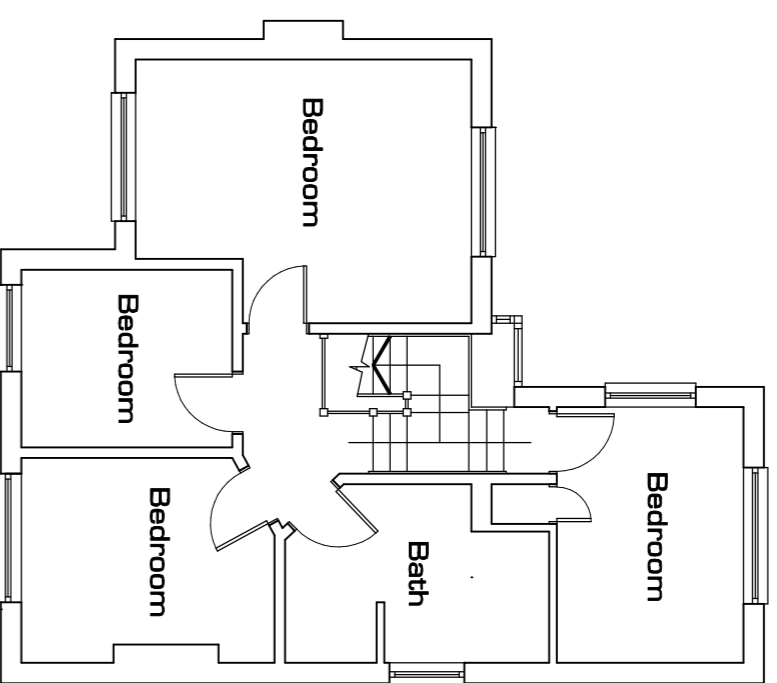
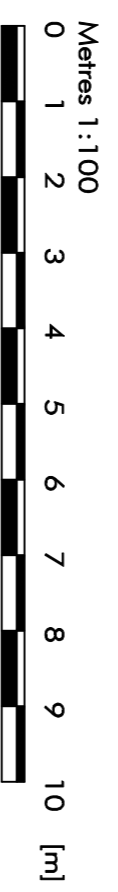
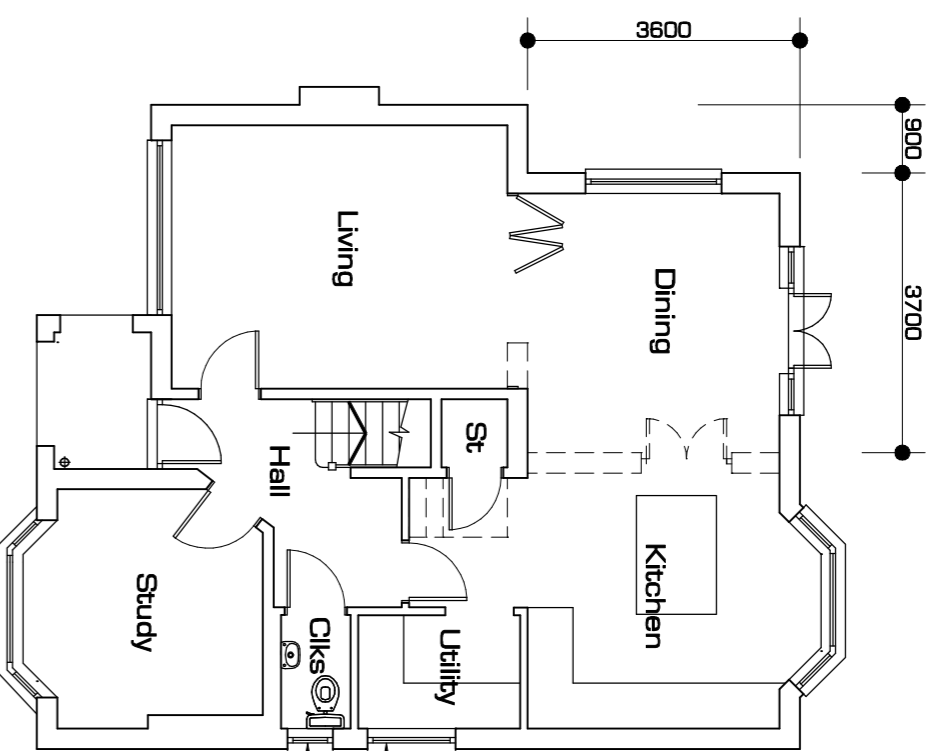


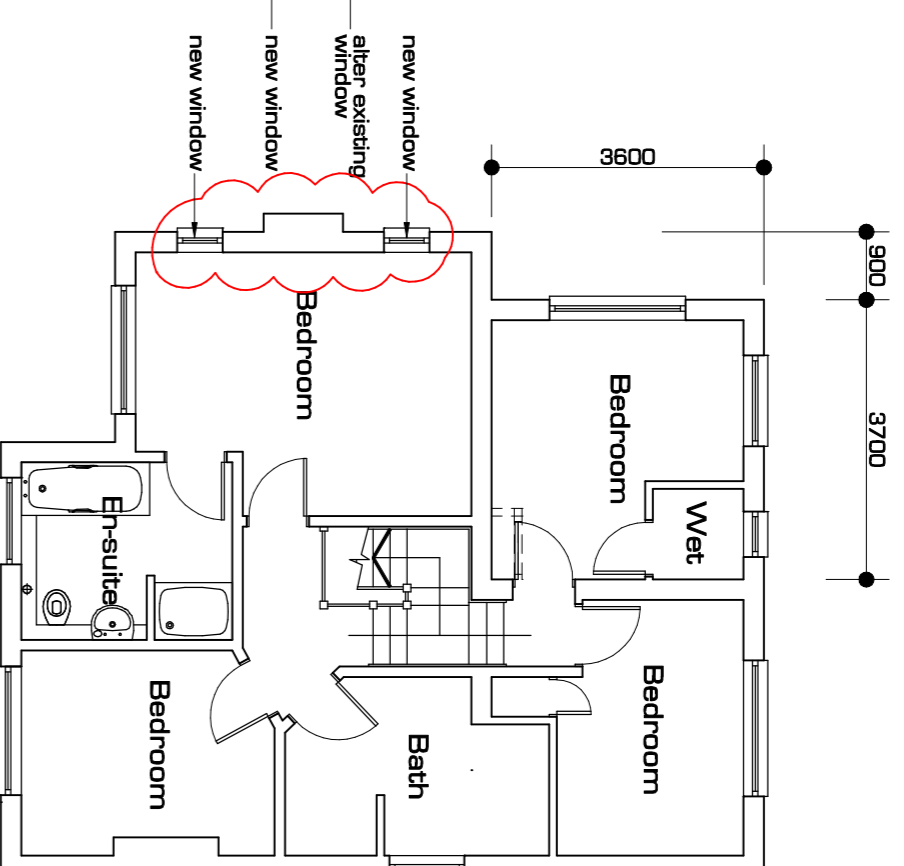
Existing Ground Floor Plan



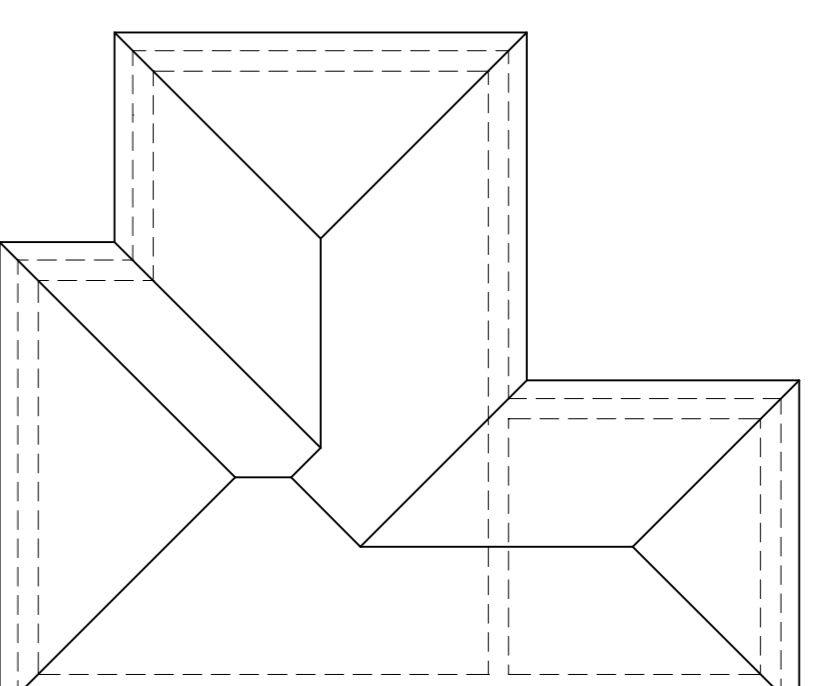
Existing First Floor Plan



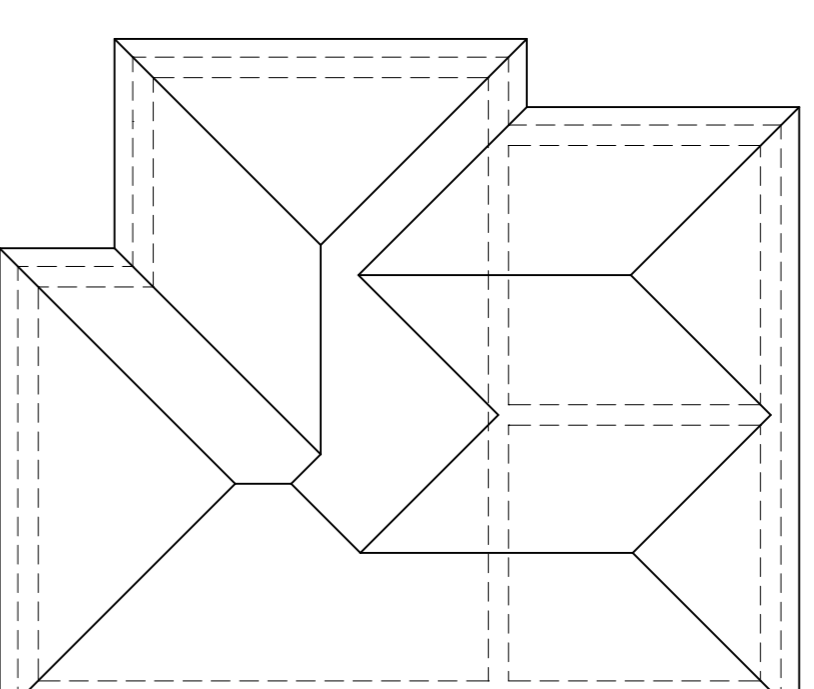
Proposed Ground Floor Plan
1:100



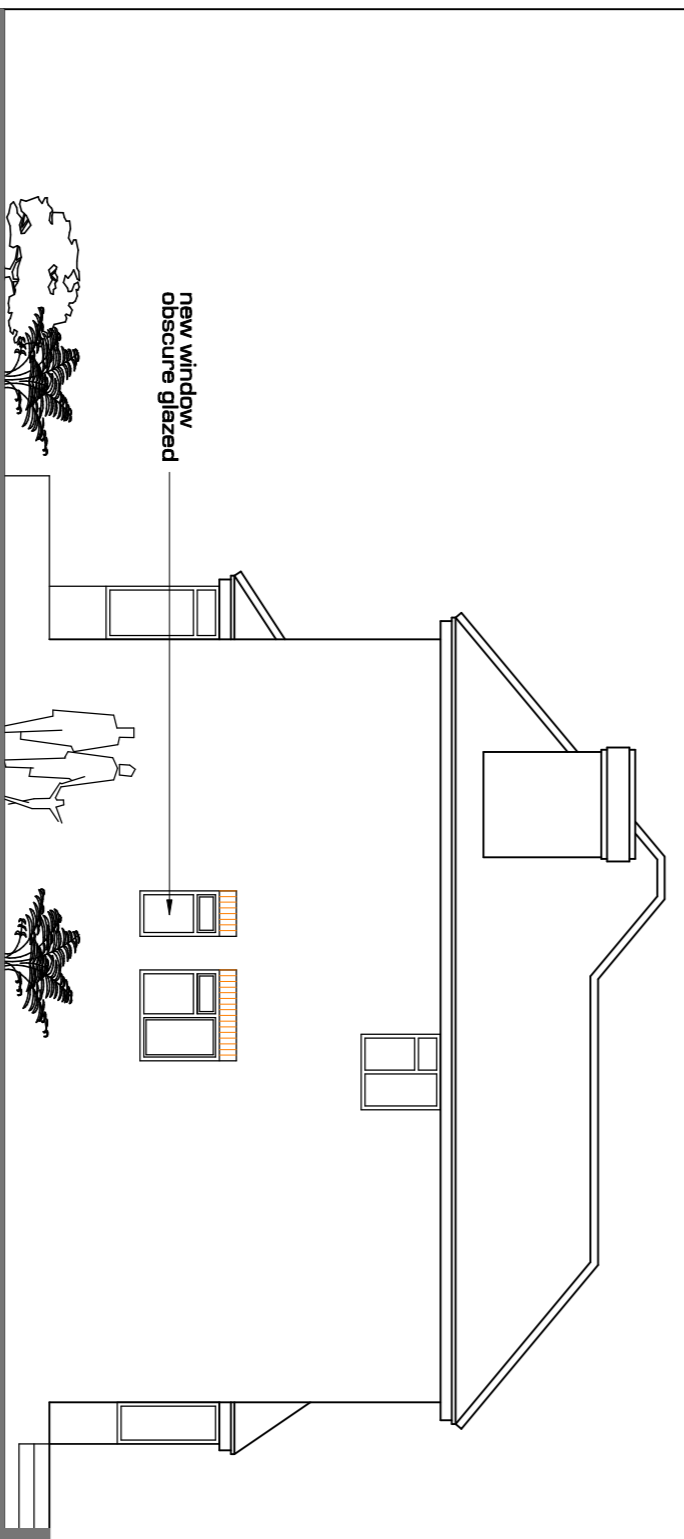
Proposed First Floor Plan



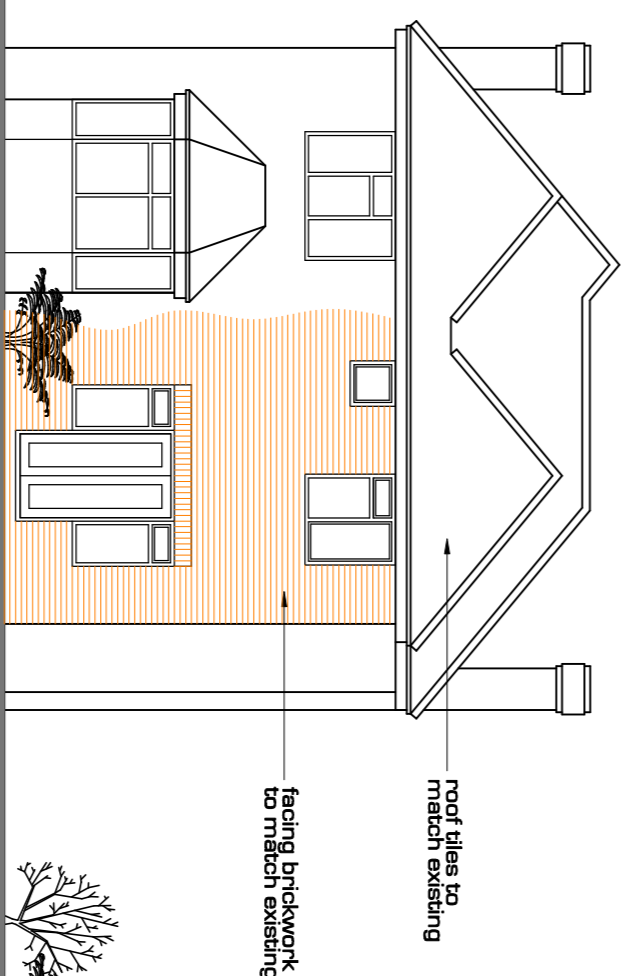
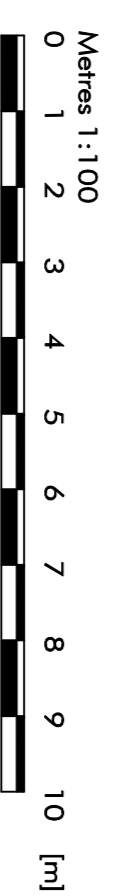
Existing Roof Plan



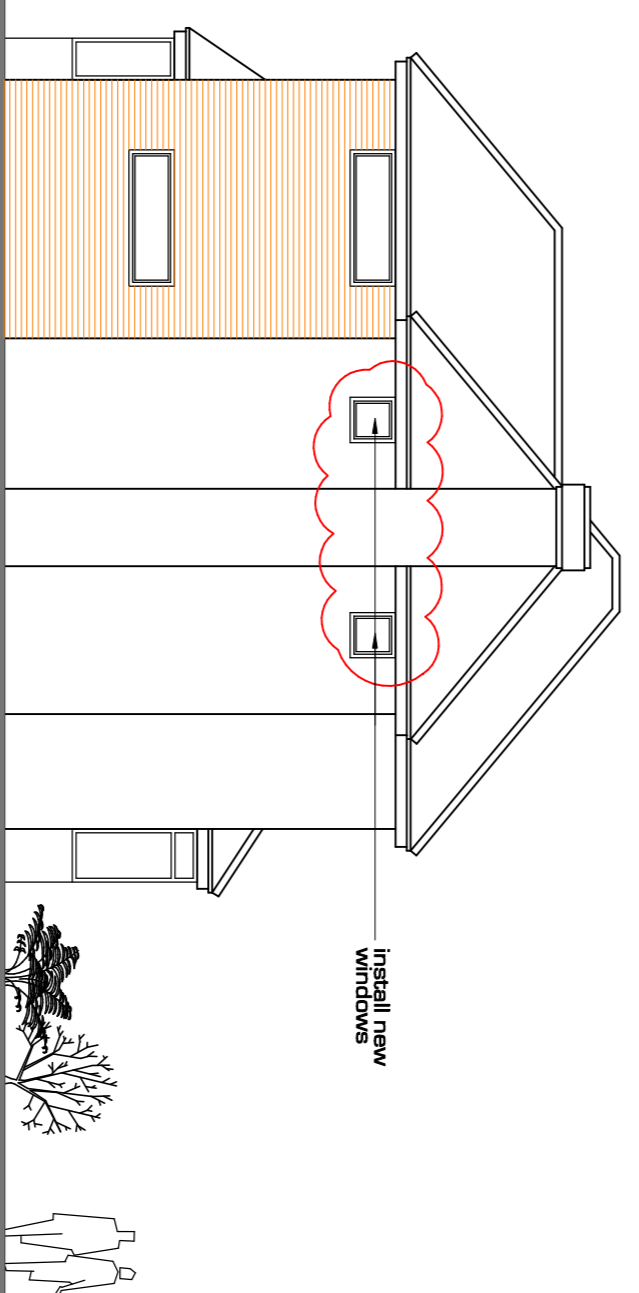
Proposed Roof Plan



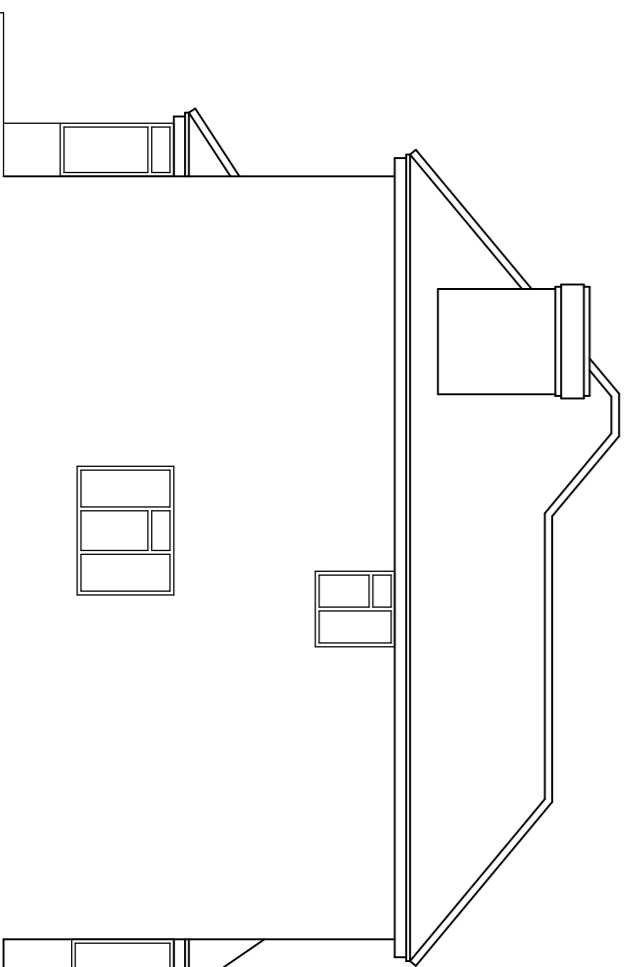
Proposed Side Elevation



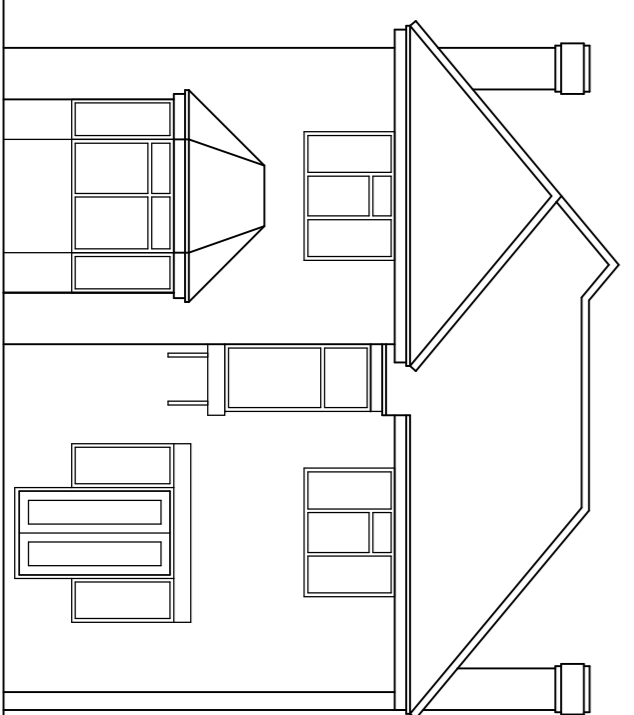
Proposed Rear Elevation



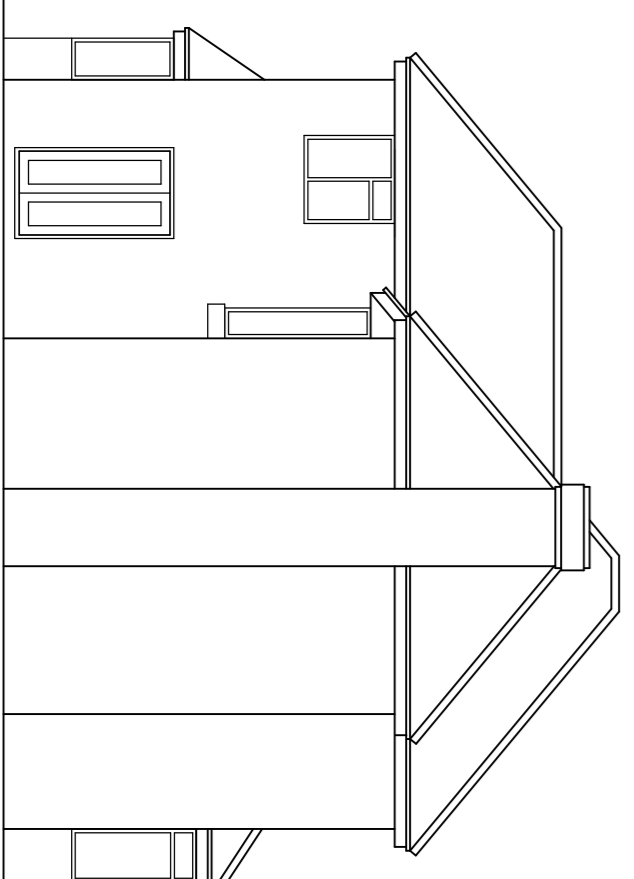
Proposed Side Elevation



Existing Side Elevation



Existing Rear Elevation



Existing Side Elevation

A Windows added to side elevation. Feb 2021
Rev Description Date



HOWARD BUILDINGS,
GUILDFORD,
SURREY
GU4 7LX

Tel : 01483 457922
www.asaparchitectural.co.uk

Project
FARVEW,
WYCH HILL,
WOKING

Client
MR & MRS B. HARDING

Drawing
PLANS & ELEVATIONS

Drawing No
WHW/100/01A

Date
July 2020

Scales
1:100 @ A1