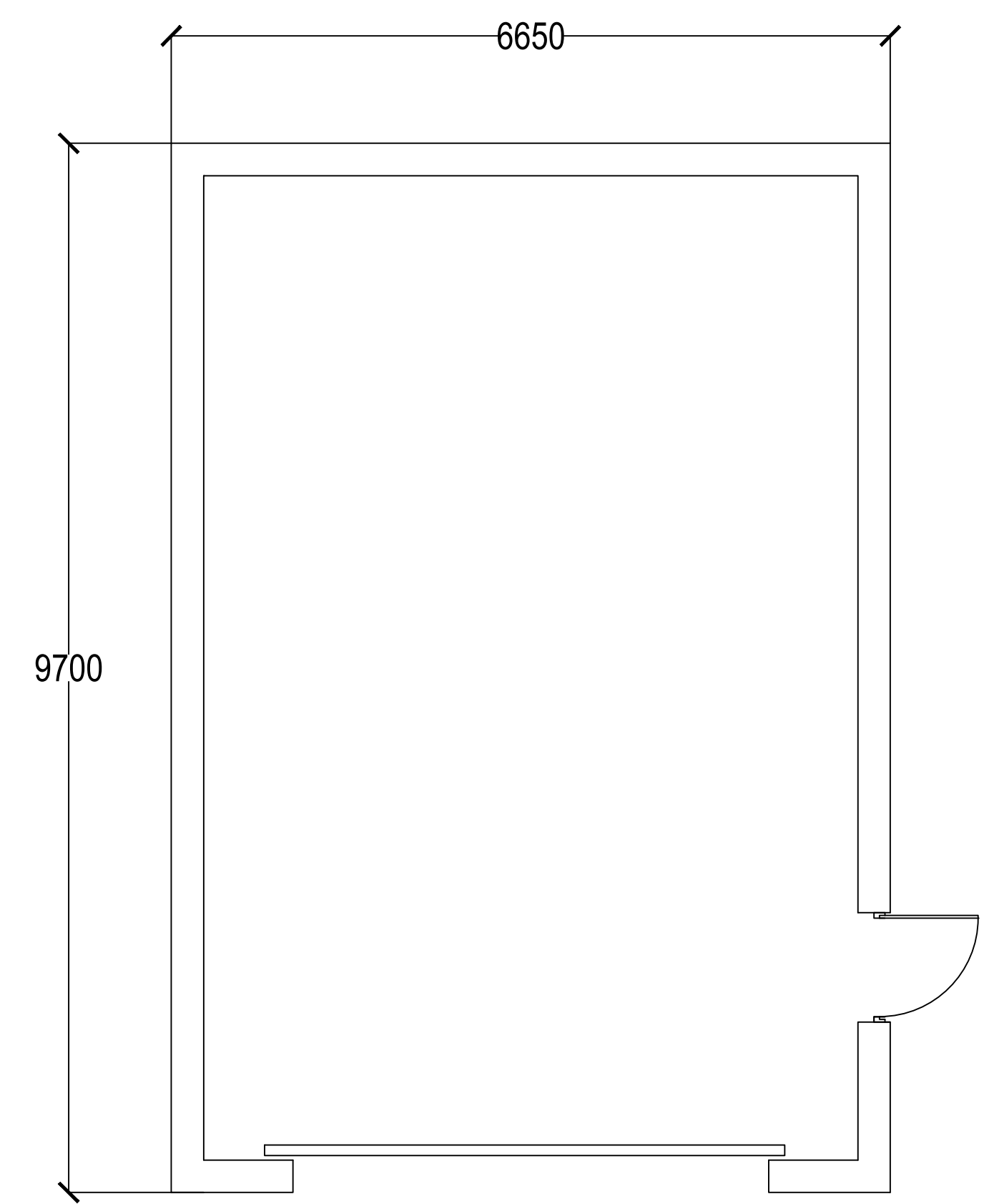
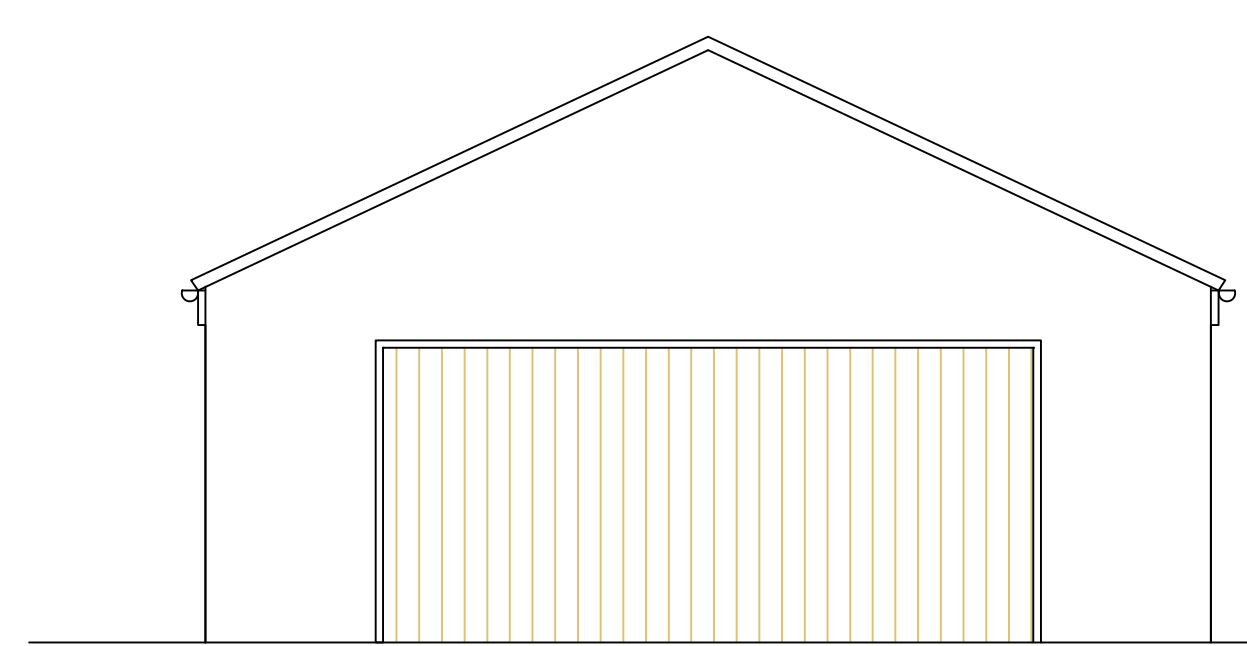
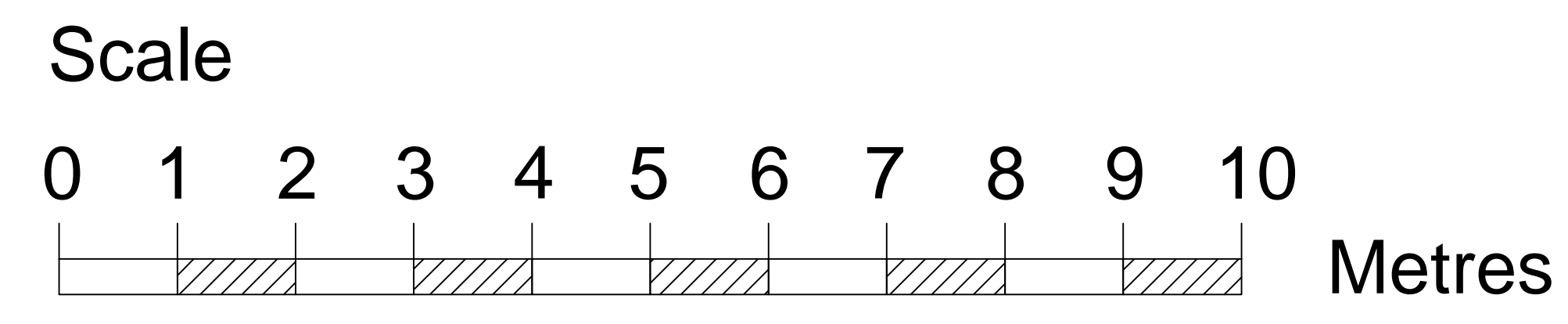


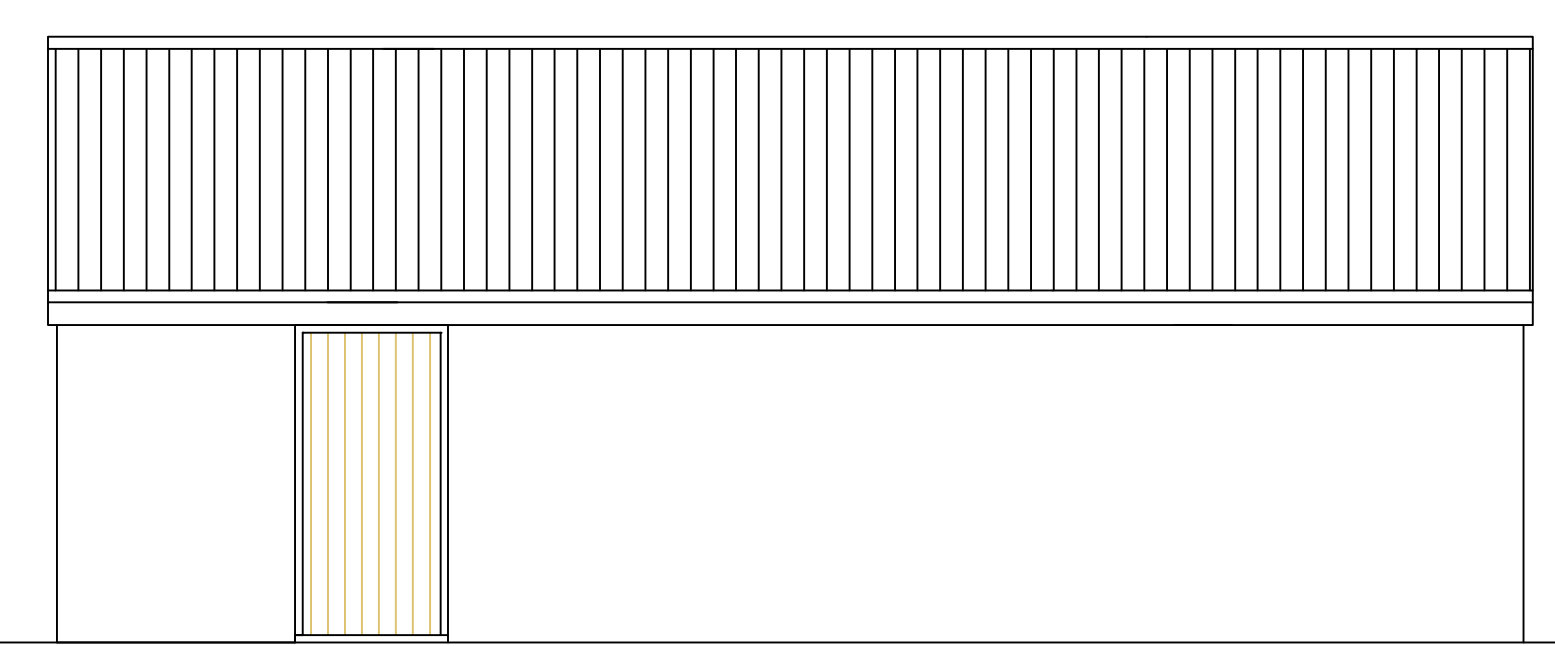
All dimensions must be checked on site and not scaled from this drawing  
 © copyright



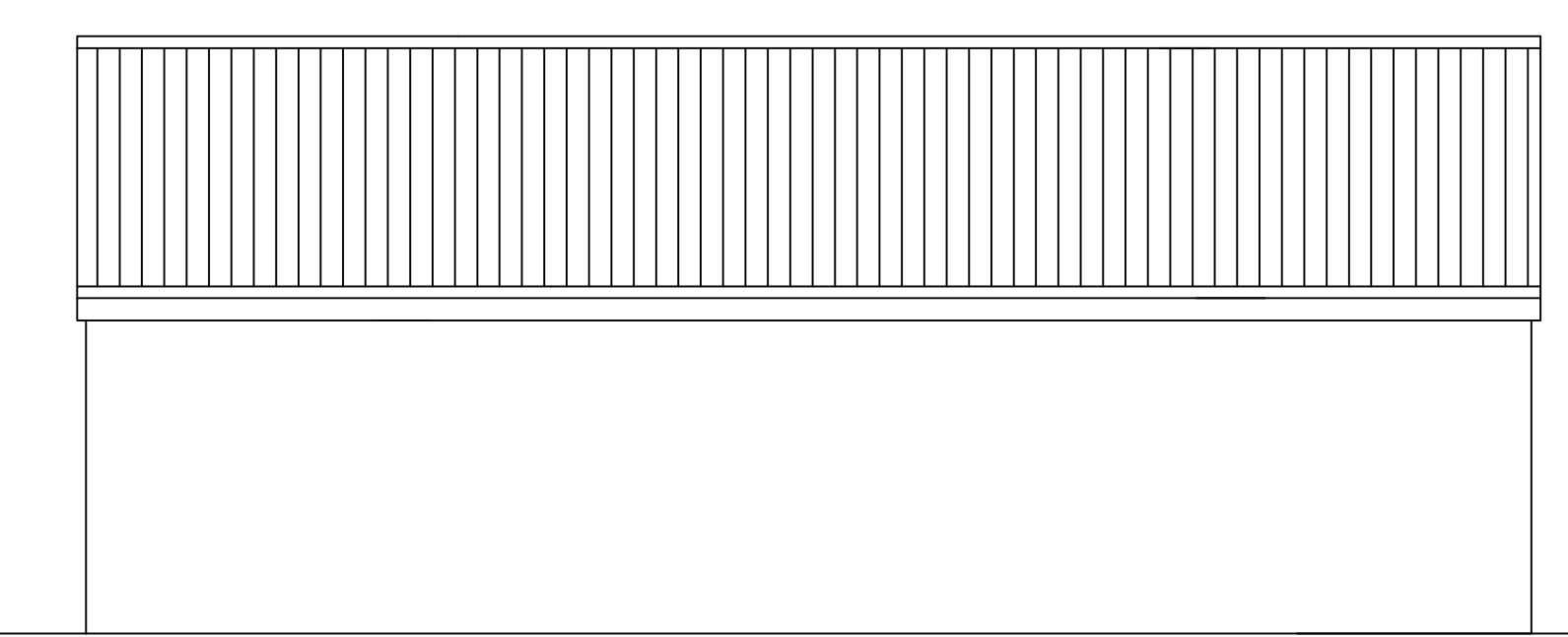
Garage Floor Layout Plan



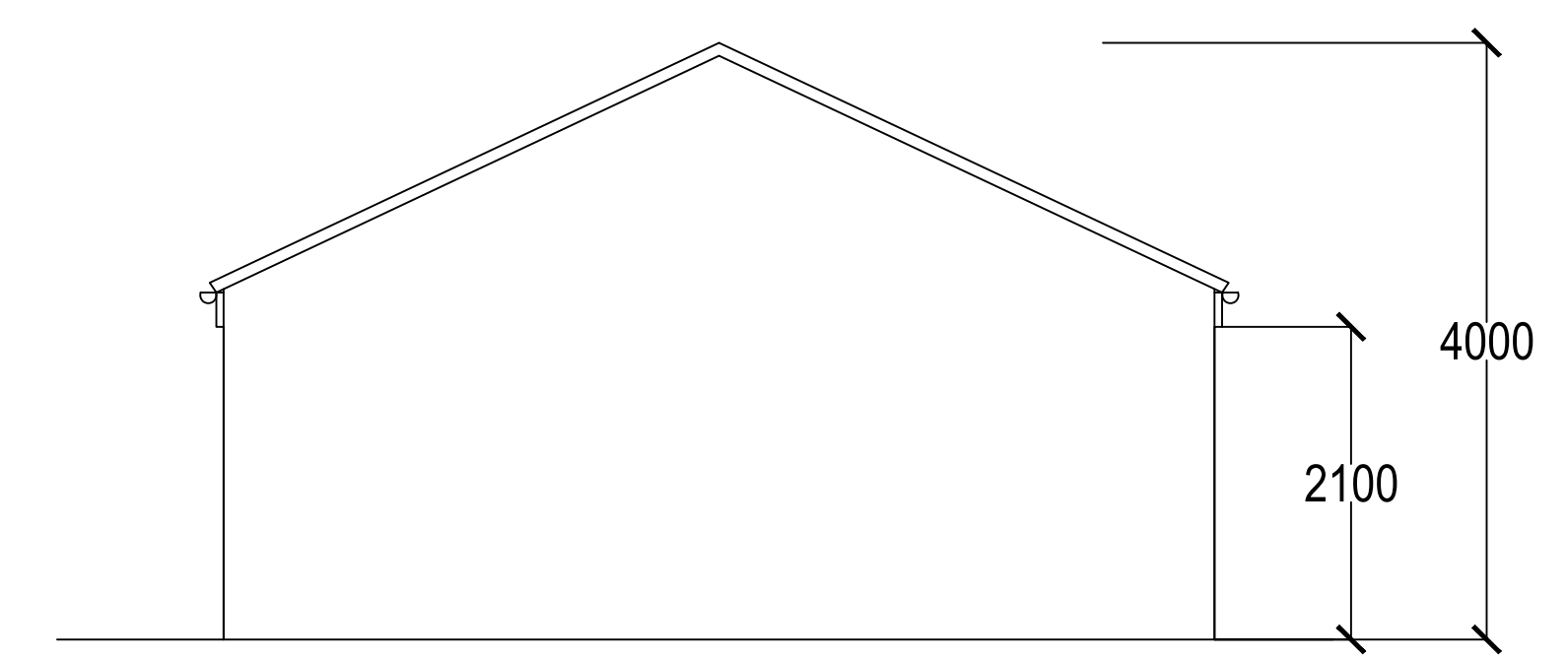
Front Elevation



Side Elevation



Side Elevation



Rear Elevation

Revisions	
Date	Revisions

**piercy design**

Architects ■ Designers ■ Project Managers ■ Planning Supervisors

Quaker Meeting Rooms  
 4 Piercy Street, Hull  
 East Yorkshire  
 HU2 8HH

Telephone: 01482 326415  
 Fax : 01482 218001  
 E-mail : user@piercydesign.co.uk

Client  
**David Evans**

Job Title  
**Detached Garage ,  
 Gale Hill,  
 Church Lane,  
 Langtoft  
 YO25 3TN**

Drawing Title  
**'As Built' Plan and Elevations**

Status  
**Planning**

Date **Oct 2020** Scale **1:50 @ A1**

Drawn **H.P.** Checked Approved

Drg No. **Misc/No. 5/201444** Rev.