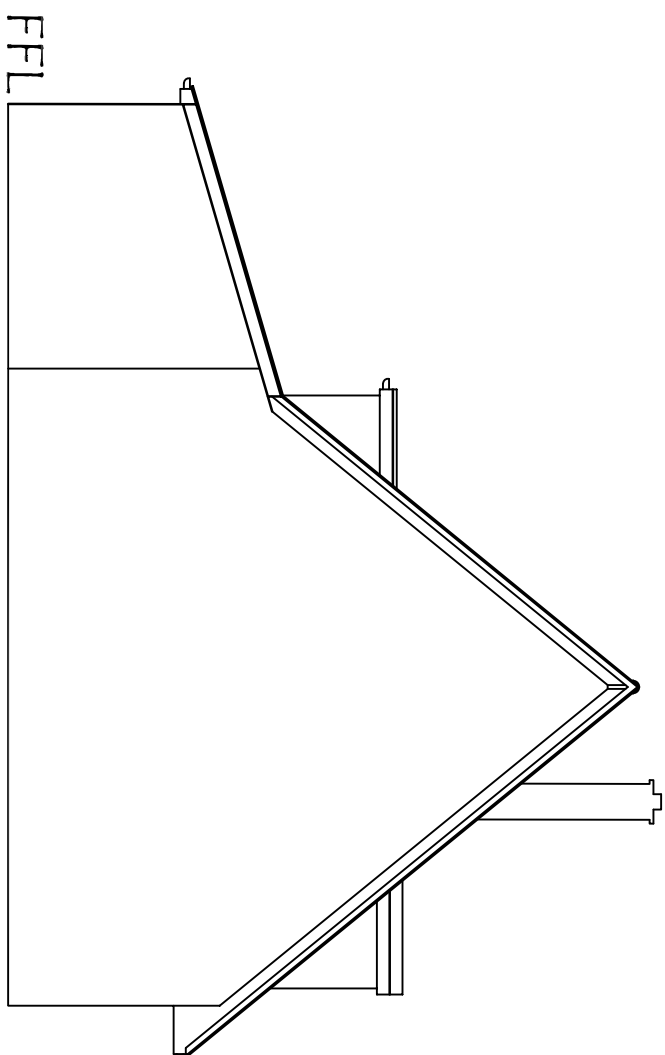
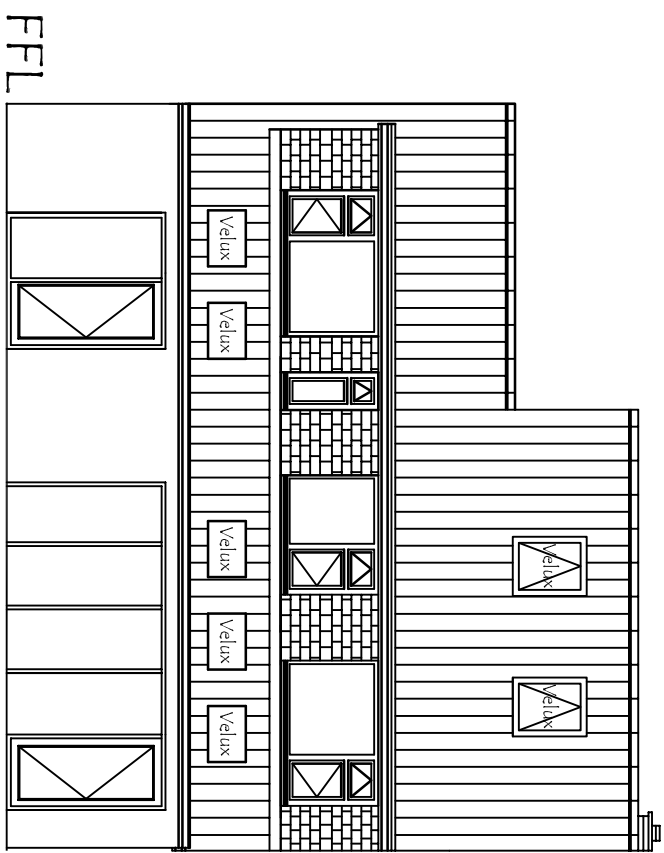


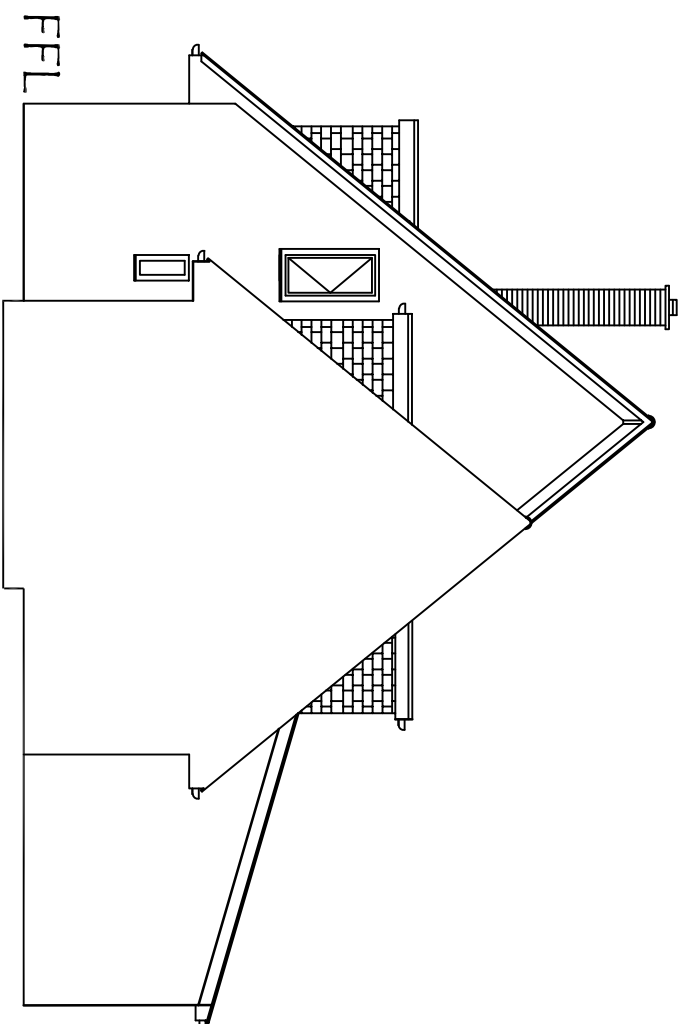
PROPOSED FRONT ELEVATION



PROPOSED SIDE ELEVATION



PROPOSED REAR ELEVATION



PROPOSED SIDE ELEVATION

| | |
|--|---------------|
| CLIENT | |
| MR & MRS CHALKLEY 12 CASWELL LANE PORTBURY NORTH SOMERSET BS20 7UF | |
| PROJECT | |
| PROPOSED SINGLE STOREY REAR EXTENSION AND EXTERNAL ALTERATIONS | |
| DRAWING / DETAIL | |
| PROPOSED ELEVATIONS | |
| Scale | Drawn |
| 1:100@A3 | GW |
| Drawing No | Date |
| LC-SC-107 | DECEMBER 2020 |