

**NOTES :**  
 ASPECT LIGHTING DESIGN LTD RELINQUISHES ANY RESPONSIBILITY REGARDING THE PROCURE, DELIVERY OF THE WORKS ON THE GROUND AND NEGOTIATION OF SERVITUDE RIGHTS, OR FOR THE INSTALLATION / TEST PROCEDURES CARRIED OUT BY OTHERS

IF LIGHTING LUMINAIRES OTHER THAN AS SPECIFIED ARE INSTALLED THEN THIS DRAWING WILL BE REMOVED FROM THE R.C.C. APPLICATION AND THE CONTRACTOR WILL ASSUME LIGHTING DESIGNERS LIABILITY

All materials must meet with the Local Authorities Material Specification and Approval before Installation Work commences.

© COPYRIGHT 2021  
 THIS DRAWING IS THE PROPERTY OF ASPECT LIGHTING DESIGN  
 ANYONE FOUND ALTERING, REVISION, AMENDING OR UTILISING THE CONTENTS OF THIS DRAWING TO REPRODUCE ANY OTHER DRAWING IS LIABLE FOR PROSECUTION.

REV	DESCRIPTION	DRWN	CHKD	DATE

**ASPECT LIGHTING DESIGN Co.UK LTD**  
 Covering all angles of Street & Floodlighting Design  
 P.O. Box 14894  
 Farnik FK1 2ZB  
 Phone: 01334-639940  
 E-mail: technical@aspectlightingdesign.co.uk

**Ironside Farrar**  
 Environmental Consultants  
 111 High Street, Farnham, Surrey GU14 7JF  
 01256 333333 | info@ironsidefarrar.co.uk

**Bellway**  
 Unit 6 Alderstone Business Park  
 Livingston EH54 7DF  
 Telephone 01506 407670  
 www.bellway.co.uk

**PRD ROTHES MILL GLENROTHES**

**ADOPTABLE STREET LIGHTING LAYOUT**

DRAWN BY: A.L.D. CHECKED BY: DATE: 24/02/21  
 SCALES: 1 : 500 @ A0

DRAWING NUMBER: ALD.38.74 Sheet-1

**NOTES :**

ALL WORK TO BE CARRIED OUT TO PIPE COUNCIL'S ASSET, TRANSPORTATION AND ENVIRONMENT SERVICES LIGHTING SPECIFICATION

ALL CABLES TO BE Laid IN 100mm DIA FLEXIBLE CORRUGATED POLYESTER CONDUIT PCC TO HAVE 50mm COVER ON FOOTPATHS AND 75mm COVER UNDER CARBONATE. PCC UNDER CARBONATE HAVE TO HAVE CONCRETE SERRING. TRENCHES TO BE INSPECTED PRIOR TO BACK FILLING.

THE LOCATIONS SHOWN FOR THE COLUMNS ARE APPROXIMATE AND SHOULD BE CONFIRMED ON SITE WITH PIPE COUNCIL'S ASSET, TRANSPORTATION AND ENVIRONMENT SERVICES STREET LIGHTING ENGINEER BEFORE INSTALLATION COMMENCES.

ALL COLUMNS MUST BE INSTALLED AT THE HEAD OF FOOTPATH / FOOTPATH / SERVICE STREETS WITH 500mm FACING AWAY FROM ONCOMING TRAFFIC UNLESS INDICATED BY THE LOCAL COUNCIL LIGHTING ENGINEER.

ALTERATIONS TO, DISCONNECTION OF OR CONNECTION TO EXISTING COLUMNS / CABLES WILL BE SUPERVISED DIRECTLY BY PIPE COUNCIL.

ANY MATERIALS USED MUST BE GIVEN WRITTEN APPROVAL BY THE HEAD OF ASSET, TRANSPORTATION AND ENVIRONMENT SERVICES' BEFORE INSTALLATION COMMENCES.

THE STREET LIGHTING DESIGN IS ONLY VALID FOR THE PLOT BOUNDARY AND SHOULD BE SHOWN ON THE DRAWING.

ALL STREET LIGHTING FURNITURE TO BE INSTALLED WITHIN THE ADAPTABLE AREA.

ACCESS TO INDIVIDUAL PROPERTIES TO BE MAINTAINED AT ALL TIMES.

THE ELECTRICAL INSTALLATION TO COMPLY WITH B.S. 7671 : 2011, THE 18th EDITION I.E.T. WIRING REGULATIONS.

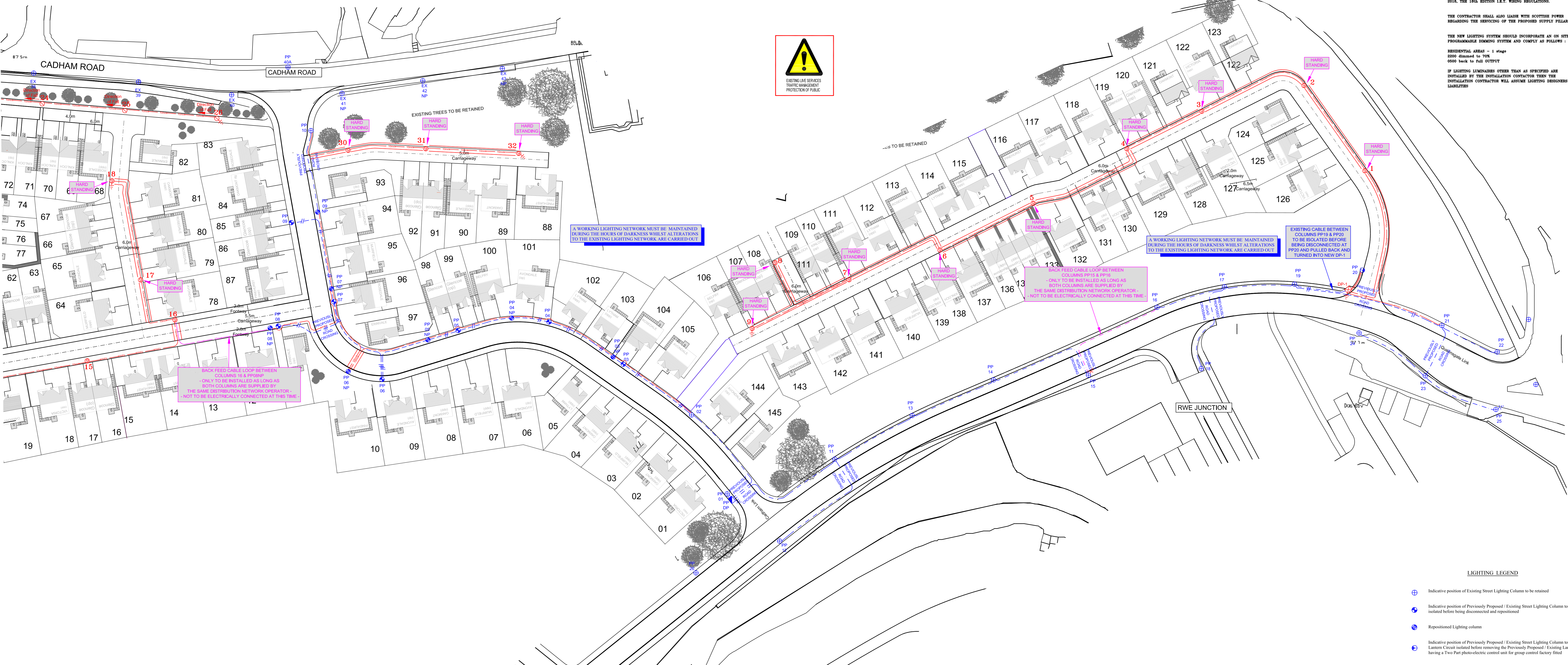
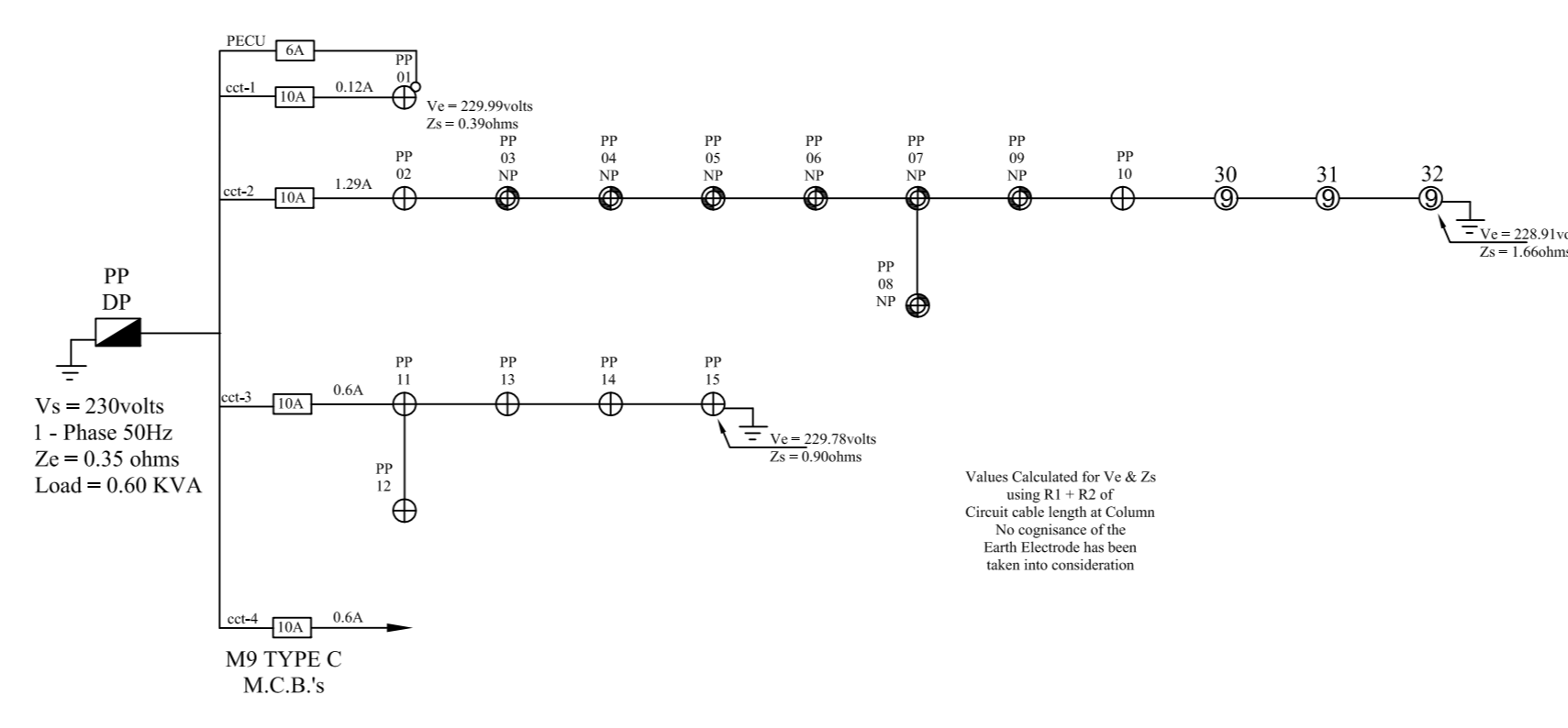
THE CONTRACTOR SHALL ALSO LAISE WITH SCOTTISH POWER REGARDING THE SERVICING OF THE PROPOSED SUPPLY PILLARS.

THE NEW LIGHTING SYSTEM SHOULD INCORPORATE AN ON SITE PROGRAMMABLE DIMMING SYSTEM AND COMPLY AS FOLLOWS:

RESIDENTIAL AREAS - 1 stage  
 2000 lumens to 1000 lumens to full output

IF LIGHTING LUMINAIRES OTHER THAN AS SPECIFIED ARE INSTALLED BY THE INSTALLATION CONTRACTOR THEN THE INSTALLATION CONTRACTOR WILL ASSUME LIGHTING DESIGNERS LIABILITY.

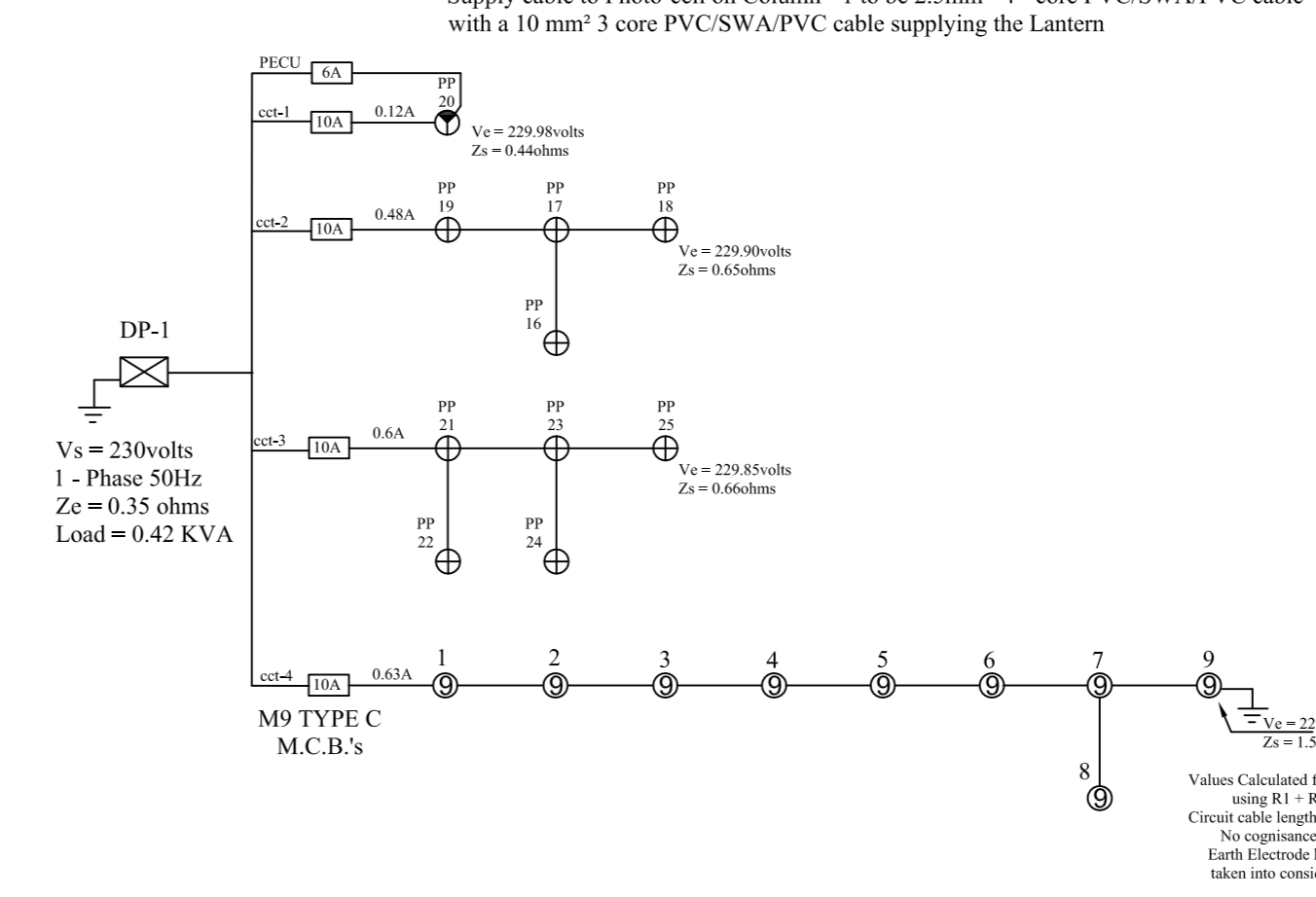
**ELECTRICAL SCHEMATIC**



**LIGHTING LEGEND**

- ⊕ Indicative position of Existing Street Lighting Column to be retained
- ⊕ Indicative position of Previously Proposed / Existing Street Lighting Column to be isolated before being disconnected and repositioned
- ⊕ Repositioned Lighting column
- ⊕ Indicative position of Previously Proposed / Existing Street Lighting Column to have the Lantern Circuit isolated before removing the Previously Proposed / Existing Lantern and having a Two Part photoelectric control unit for group control (see Note 1)
- ⊕ Proposed 6m Aluminium Alloy [FC 6 FT] post-top column and an ORANGETEK RONS mini Plus -24 LEDs, V20, 400K, 0100mA, Dpt. 10W, CLO, NW (Using code: 42 0016 0000 100) Post-mounted complete with Top Cover Lantern (included @ 9°) c/w Top photo-electric control unit for group control c/w Top Cover FRC Type 'A' cut-out
- ⊕ Proposed 6m Aluminium Alloy [FC 6 FT] post-top column and an ORANGETEK RONS mini Plus -24 LEDs, V20, 400K, 0100mA, Dpt. 10W, CLO, NW (Using code: 42 0016 0000 100) Post-mounted complete with Top Cover Lantern (included @ 9°) c/w Top photo-electric control unit for group control c/w Top Cover FRC Type 'A' cut-out
- ⊕ Proposed 6m Aluminium Alloy Rais & Lower post-top Lighting Column [FC RA & L] and an ORANGETEK RONS mini Plus -24 LEDs, V20, 400K, 0100mA, Dpt. 10W, CLO, NW (Using code: 42 0016 0000 100) Post-mounted complete with Top Cover Lantern (included @ 9°) c/w Top FRC Type 'A' cut-out
- ⊕ Proposed Distribution Pillar Topo FPL323/HEG(P) with 1-Phase distribution panel (Folio YA - FRC71) to Local Authority specification
- ⊕ Indicative position of Previously Proposed / Existing Distribution Pillar to be retained
- ⊕ Proposed Earth Electrode in plastic injection pit
- ⊕ Indicative position of Previously Proposed Earth Electrode to be retained
- ⊕ Proposed 100mm dia 3-core PVC/SWA/PVC Purple Sheath cable (Blue, Blue, Yellow Green Conductors in 100mm diameter Purple PCC, also depth to invert 50mm)
- ⊕ Proposed 25mm² 4-core PVC/SWA/PVC Purple Sheath cable between distribution pillar and Photo-Cell Column
- - - - - Indicative route of Existing cables to be retained - No guarantee is given regarding their accuracy
- - - - - Indicative route of Existing cables to be isolated before being disconnected and removed - No guarantee is given regarding their accuracy
- — — — — Road crossing depth to invert 750mm

**ELECTRICAL SCHEMATIC**



**HEALTH AND SAFETY NOTES FOR CONSTRUCTION**

1. ALL WORKS TO BE CARRIED OUT IN ACCORDANCE WITH THE HEALTH AND SAFETY AT WORK ACT (1974) AND THE HEALTH AND SAFETY PLAN.
2. TRENCH EXCAVATIONS IN EXCESS OF 1.2m DEEP TO HAVE A SLOPING BATTERED SIDES NOT GREATER THAN THE NATURAL REPOSE OF THE PARTICULAR SOIL TYPE OR 1) BRACING IN INCREMENTS OR 2) ADEQUATELY DESIGNED TEMPORARY WORKS, SHORING AND SHUTTLINGS.
3. THE CONTRACTOR MUST BE SATISFIED THAT ALL UNDERGROUND SERVICES HAVE BEEN LOCATED BY HAND EXCAVATION PRIOR TO ANY MECHANICAL EXCAVATION IS UNDERTAKEN.
4. ALL OPEN EXCAVATIONS TO HAVE EDGE PROTECTION AND SAFE ACCESS AND EGRESS TO AND FROM EXCAVATIONS.
5. ALL EXCAVATIONS MUST BE MAINTAINED FREE FROM WATER.
6. ALL EXCAVATED MATERIAL TO BE STOCKPILED AT A SUITABLE DISTANCE FROM THE EDGE OF THE TRENCH TO PREVENT SURCHARGE OF THE SOIL AND LIMIT THE POSSIBILITY OF EXCAVATED FACES COLLAPSING.
7. ALL MOBILE PLANT IS TO BE ADEQUATELY SUPERVISED BY THE CONTRACTOR AND A COMPETENT BANKSMAN USED AT ALL TIMES.
8. THE CONTRACTOR MUST PROVIDE SUITABLE PROTECTION AND MAKE PROVISION FOR ADEQUATE TRAFFIC MANAGEMENT FOR WORKS NEAR OR WITHIN EXISTING HIGHWAYS.
9. THE CONTRACTOR MUST ENSURE THAT ALL WORKING HEIGHT RESTRICTIONS IN THE VICINITY OF OVERHEAD POWER LINES ARE COMPLIED WITH.
10. THE SITE AND WORKPLACE IS TO BE SECURED AT ALL TIMES AND ACCESS TO THE SITE IS FOR AUTHORISED PERSONNEL ONLY.
11. PRIOR TO COMMENCING ANY WORKS ON SITE IT IS THE RESPONSIBILITY OF THE CONTRACTOR TO CHECK THE LOCATION OF ALL EXISTING PUBLIC UTILITIES.