

RANEBROOK WINDOWS
 83 High Street
 Chesham
 Buckinghamshire
 HP5 1DE
 t: 01322 332237
 e: info@ranebrook.co.uk
www.ranebrook.co.uk

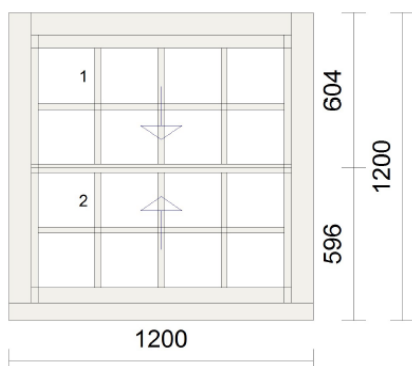


RANEBROOK
 windows

Quotation: Q458-6RW

Customer: Eric Taplin

Address:

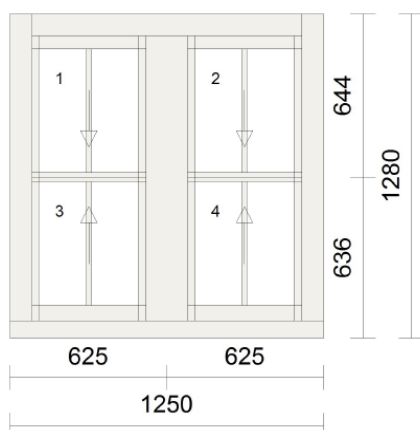


No. 1:	SASH RENOVATION		
Size:	1200 x 1200		
Quantity	Price	Value	
1	x 1354.49	=	1354.49

Description:

Timber:	Pine Fingerjointed
Finish:	In: RAL 9016 Traffic White/Out: RAL 9016 Traffic White
Sash:	Upper Sash no Horn/Lower Sash no Horn
Drainage:	SMOOTH
Type:	Upper Slider/Bottom Slider
Beads:	PUTTY STYLE
Bar:	OGEE solid glazing bar 24mm
Cill opt.:	Frame Cill Standard (no extension)
H/ware:	Polished Chrome
Lock:	Standard
Glazing:	Top and bottom 33.1
Spacers:	RAL 9016
Restrictors:	Angel Ventlock
Vent:	None

View from outside

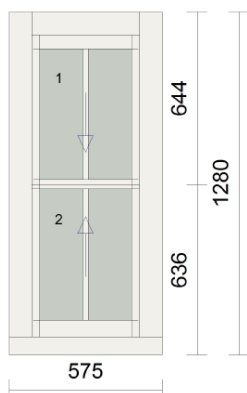


No. 2:	SASH STANDARD		
Size:	1250 x 1280		
Quantity	Price	Value	
2	x 918.09	=	1836.18

Description:

Timber:	Pine Fingerjointed
Finish:	In: RAL 9016 Traffic White/Out: RAL 9016 Traffic White
Sash:	Upper Sash no Horn/Lower Sash no Horn
Drainage:	SMOOTH
Type:	Upper Slider/Bottom Slider
Beads:	LAMB
Bar:	LAMB bar with Duplex
Cill opt.:	Frame Cill Standard (no extension)
H/ware:	Polished Chrome
Lock:	Standard
Glazing:	Top and bottom 4 -6A-4TF TGI
Spacers:	RAL 9016
Restrictors:	Angel Ventlock
Vent:	None

View from outside



No. 3:	CORDS & WEIGHTS SASH WINDOW		
Size:	575 x 1280		
Quantity	Price	Value	
1	x 539.92	=	539.92

Description:

Timber:	Pine Fingerjointed
Finish:	In: RAL 9016 Traffic White/Out: RAL 9016 Traffic White
Sash:	Upper Sash no Horn/Lower Sash no Horn
Drainage:	SMOOTH
Type:	Upper Slider/Bottom Slider
Beads:	LAMB
Bar:	LAMB bar with Duplex
Cill opt.:	Frame Cill Standard (no extension)
H/ware:	Polished Chrome
Lock:	Standard
Glazing:	Top and bottom 4 SATIN -6A-4TF TGI
Spacers:	RAL 9016
Restrictors:	Angel Ventlock
Vent:	None

View from outside

Description, remarks to the agreement:

Square meters of all windows: 5.38

Project: Eric Taplin

		TOTAL PRICE
NET VALUE	£3,730.59	£3,730.59

DELIVERY:**+ VAT 20%****£4,476.71****INSTALLATION:****+ VAT****WASTE REMOVAL:****+ VAT****NOTES:**

- Offer is valid for 30 days.
- If you wish to proceed, please confirm the above-specified structure of the contract, in particular: colour, glass (**please inform us if your glazing is within 800mm of the floor level, as your windows will then required toughened glass**), hardware, construction view and other references. Trickle Vent, Restrictors, different glass (Frosted, Toughened, Laminated), etc., may increase the price. **For supply-only quotes, the customer is fully responsible for providing measurements.**
- Delivery costs are not included. **For supply-only quotes, the customer is fully responsible for offloading their goods from the delivery vehicle.**
- Installation costs are not included
- If a contract is signed corresponding to this quotation, the client agrees that all product designs and details have been checked and confirmed, and can be manufactured according to this file and all attached drawings.

	INCLUDED	NOT INCLUDED
INSTALLATION		
- Removal of old windows/doors		X
- Internal work		X
- Waste removal		X
- Repairing and repainting of walls internally around perimeter of windows		X
- Floor covering/protection		X
- Furniture covering/protection		X
- Silicone/mortar (outside)		X
- Insurance backed guarantee		X
- FENSA certificate		X
DELIVERY		
- Delivery costs		X
- Offloading by Ranebrook		X

	RANEBROOK	CLIENT
Responsible for measurements		X

STANDARD LOCKS



OPTIONAL HARDWARE



Modern Sash Lock

Ball Claw Catch & Keep Locking

Brighton Fastener

Dee Handle

Heritage Fastener Locking



PE-401 Restrictor

Rola Restrictor

Push Ventlock

Angel Ventlock

UK-810 Restrictor

Cill Lock



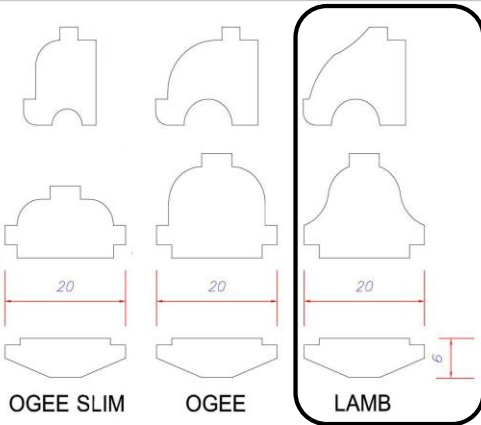
TRYKVENT (Concealed)



Select S13



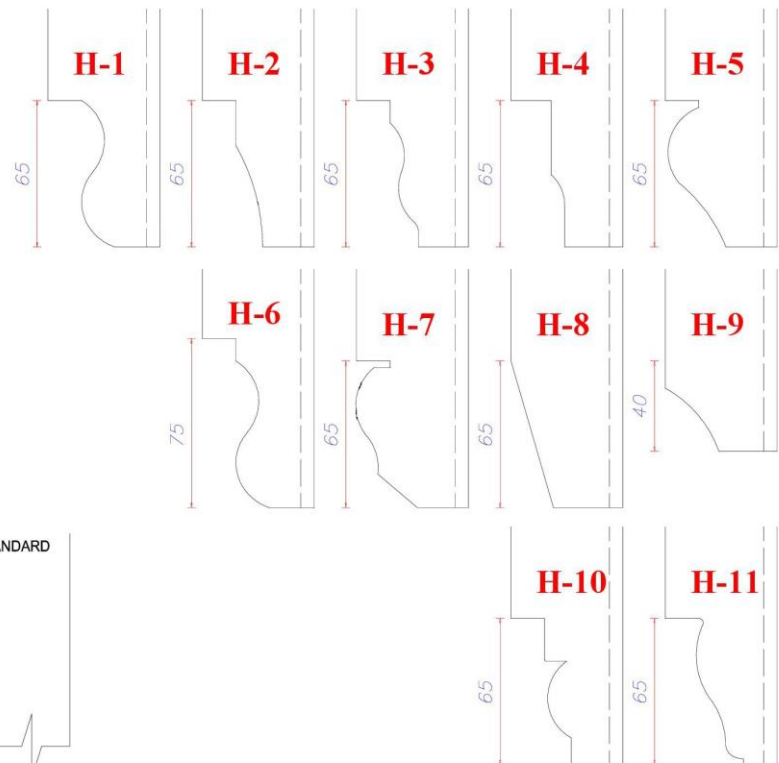
Select Xtra XR16 (concealed)



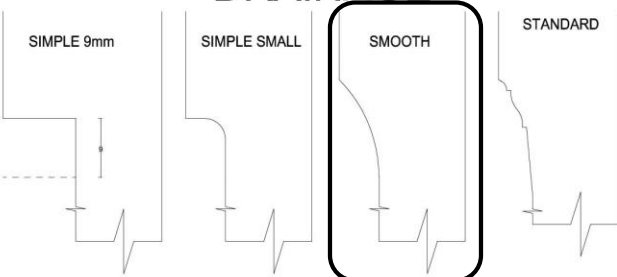
OGEE SLIM

OGEE

LAMB



DRAINAGE



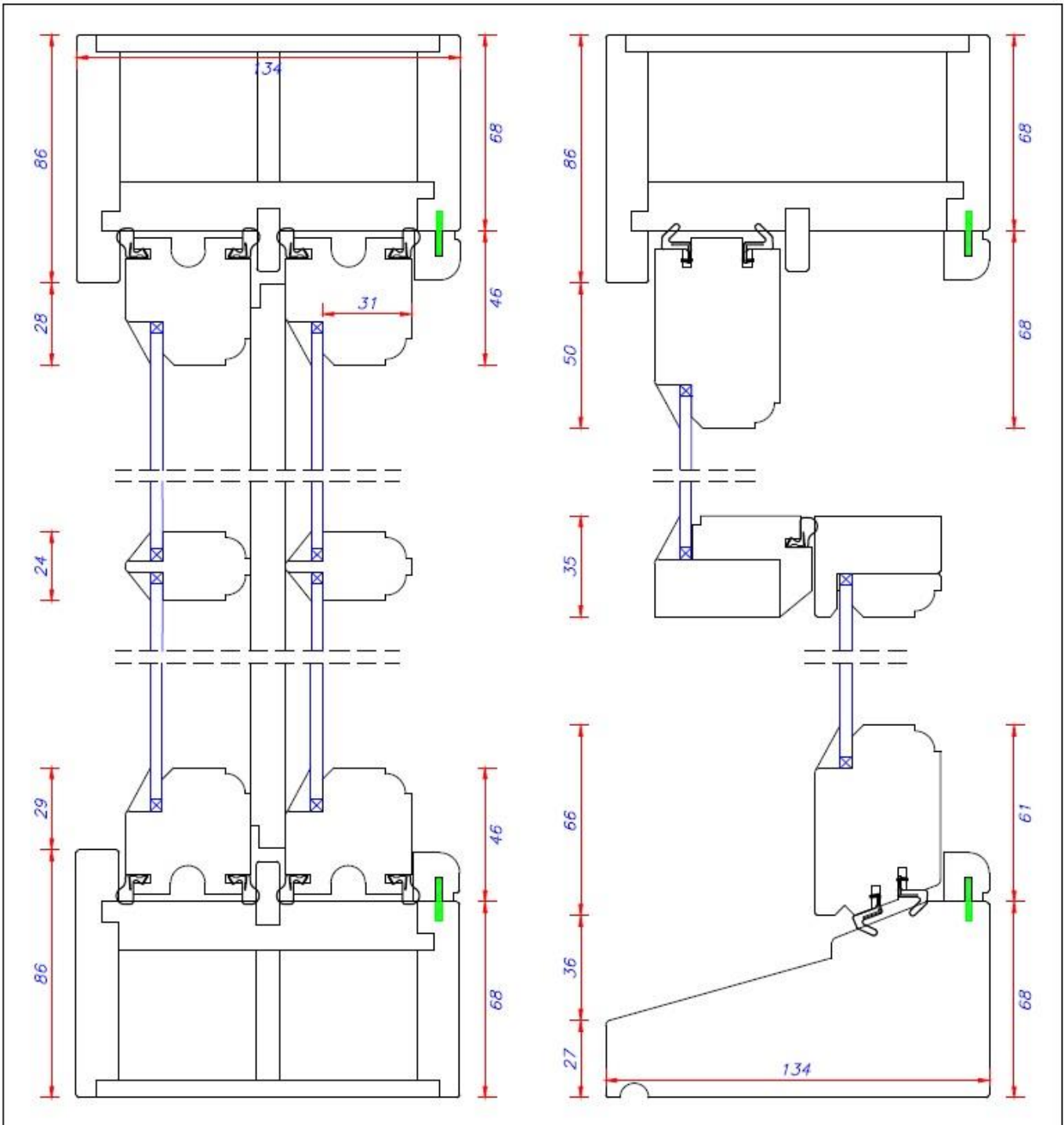
SIMPLE 9mm

SIMPLE SMALL

SMOOTH

STANDARD

Sash Renovation 31



ITEMS 2,3,

Sash Standard 4-6-4

