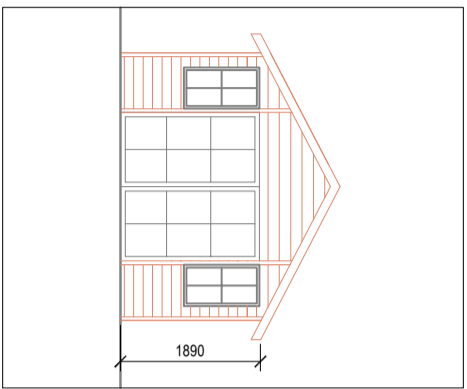
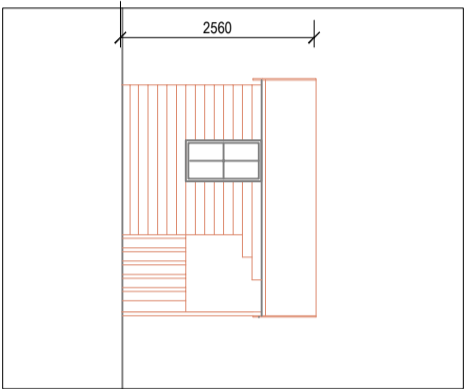


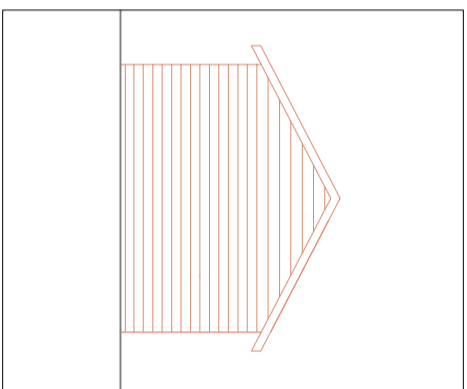
north elevation



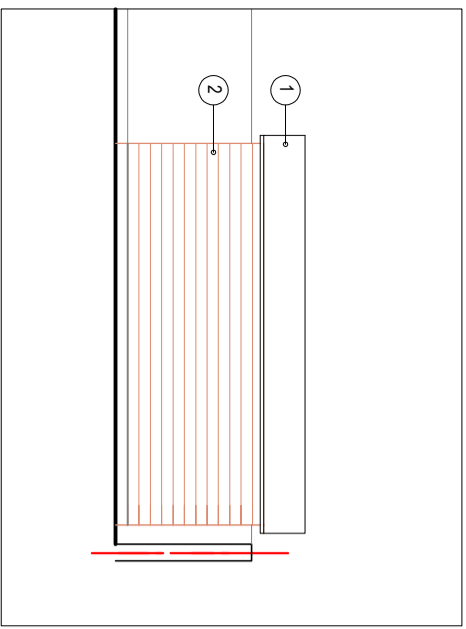
east elevation



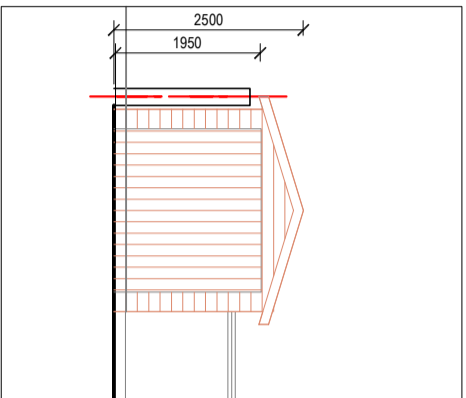
south elevation



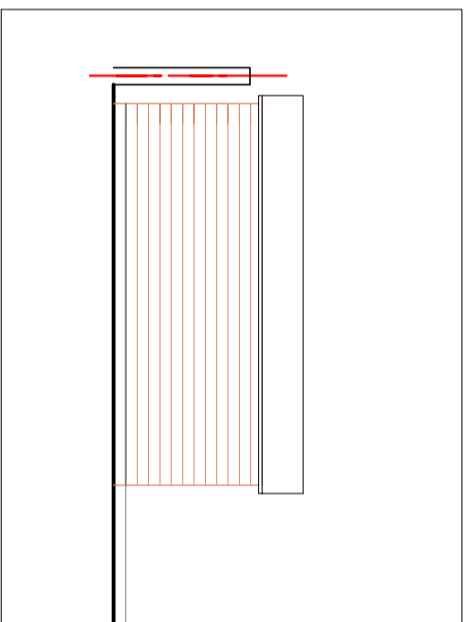
west elevation



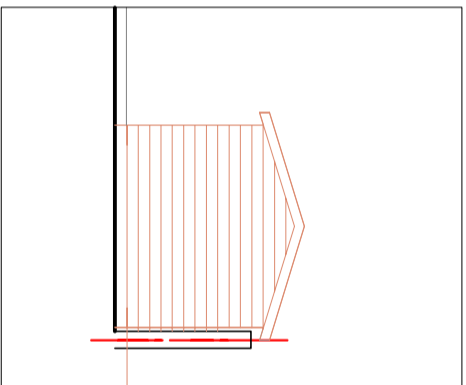
north elevation



east elevation



south elevation



west elevation

Key to materials

- ① Grey roofing sheet membrane
- ② Natural wood tongue and grooved cladding
- ③ Natural timber structure
- ④ Natural timber framed windows

Drawing is subject to laws of copyright.  
Do not scale from this drawing.

All dimensions are to be checked on site.  
The event of discrepancies with other information,  
this Architect to be notified prior to proceeding.

rev	by	chk	detail	date

client: Mr and Mrs McGregor  
 project: Alterations to 8 Fairlawn Road, Lytham

dwg: 020.22 (02) 02  
 title: proposed elevations to summerhouse and garage  
 by: ctk date: 25.02.2021 scale: 1:100 sheet size: A3

01253 794206  
 07514 006805  
 www.danielarchitects.com

