

**Hardie**Panel® Cladding

GIVE LIFE  
TO YOUR  
FACADE™



# ABOUT JAMES HARDIE®

## A smarter way

James Hardie is a world-leading manufacturer of fibre cement building materials.

Founded in 1888 with an enduring set of values, we have grown to generate a turnover in excess of €1 billion. Today our name is synonymous with unsurpassed quality, durability and design excellence.

Inspired by new technology and driven by our passion for design, we are constantly growing our extensive range of interior and exterior products. Our innovative solutions are chosen by many architects and builders to bring their unique visions to life.

Whether you require a high-performance alternative to traditional cladding or a contemporary finish on a refurbishment project, you can trust James Hardie to provide you with a smarter way to build.



# INTRODUCING HARDIE PANEL® CLADDING

With a range of available colours and textures, HardiePanel® cladding offers the ultimate design solution for both residential and commercial facades.



## Versatile design

HardiePanel® cladding is a large panel, flexible facade product available in a choice of three textures and 21 colours.

It can be installed vertically, horizontally or diagonally to achieve the perfect finish for your project, whether traditional or contemporary.

## Engineered to last

HardiePanel cladding creates stunning, durable facades, and also helps to keep them that way for years to come. Like all James Hardie® cladding solutions, it is backed by years of research, development and innovation.

Manufactured using seventh generation fibre cement technology, HardiePanel cladding is developed to an advanced formulation - with superior adhesion and modified thickness technology - designed to stand the test of time.



# WHY CHOOSE HARDIEPANEL® CLADDING?

HardiePanel® cladding combines value and long-lasting performance to deliver stunning facades for both refurbishment and new build projects.

## Best value

HardiePanel® cladding offers a simple, durable and best value solution and is particularly suitable for large renovation schemes.

## Low maintenance

HardiePanel cladding is made from an advanced lightweight cement composite which gives a heavy-duty performance. The long-lasting, fade resistant colour coating requires no repainting for years to come and can be cleaned when required with soap and water to maintain a beautiful finish.

## Easy to install

Installation requires no pre-drilling and the panel sheets can be easily cut to size on site. Then just simply paint the cut edges with our edge coating and fix the product to either timber or metal framing.

## Weather resistant

With HardiePanel cladding, you can be confident that your facade is created to last longer, even in the harshest of environments. It is unaffected by rain and hail damage and has been tested to withstand the severest weather conditions.

## Fire resistant

HardiePanel cladding is a non-combustible board, and has an A2, s1-d0 non-combustibility rating for the safety and protection of building occupants.

## Pest and rot resistant

HardiePanel cladding is also resistant to mould, decay, pests and rot, and is not subject to the cracking, shrinking and warping which can occur with competing facade products.

## Guaranteed to last

To provide peace of mind, HardiePanel cladding comes with a 10 year limited warranty.





# A SUSTAINABLE APPROACH

James Hardie is committed to sustainable development across all of our activities. We implement practices that aim to benefit the environment, the communities in which we work and the wider economy.



## Designed for sustainable building

James Hardie design with sustainability in mind. We focus on developing innovative products that have an extended lifespan, require little maintenance and can be used in energy efficient buildings. We manufacture quality exterior products which can be used to construct a BRE A+ rated facade.

## Engineered for durability

We are pioneers, leading the way in developing new technologies and design solutions. We place strong emphasis on research and development and invest significantly in process improvement and product evolution.

This has resulted in many technological advancements which have enhanced our sustainability, such as ColorPlus™ Technology to create longer lasting facades, and HardieZone™ Technology to ensure advanced climate protection.

## Committed to local communities

Collaborative working is at the heart of our business. We work with our local customers to build effective long term partnerships that are mutually beneficial.

We demonstrate social involvement through our corporate and social responsibility practices. This includes our partnership with the Construction Youth Trust, our UK charity of choice.

## Improved resource efficiency

We seek continuous improvement in resource efficiencies by working smarter. Life cycle analysis is used to reduce the environmental impacts at each stage of the product lifecycle. We also run an ambitious Zero to Landfill programme.

## Smarter green

We have a corporate commitment to supporting sustainable development, and we take this commitment seriously. We measure our environmental performance (backed up by our ISO 14001 accreditation) and seek to foster a culture of continuous improvement across all aspects of sustainability.







“As the first eco-district project we’ve worked on, it was important for us to find a solution that met both the environmental and financial constraints of the project, whilst delivering the unique architectural vision. HardiePanel® was a great solution which provided design flexibility combined with durability and green credentials.”

Mr. Demeulemeester, Nexity - George V Engineering



© Stephane Chalmeau 2014 Le Grand Large Eco-District



# TECHNICAL INFORMATION

As a result of our unique manufacturing process, we have been able to go generations beyond generic fibre cement.

## Specification

Composition: Portland cement, sand, cellulose fibre, water, selected additives

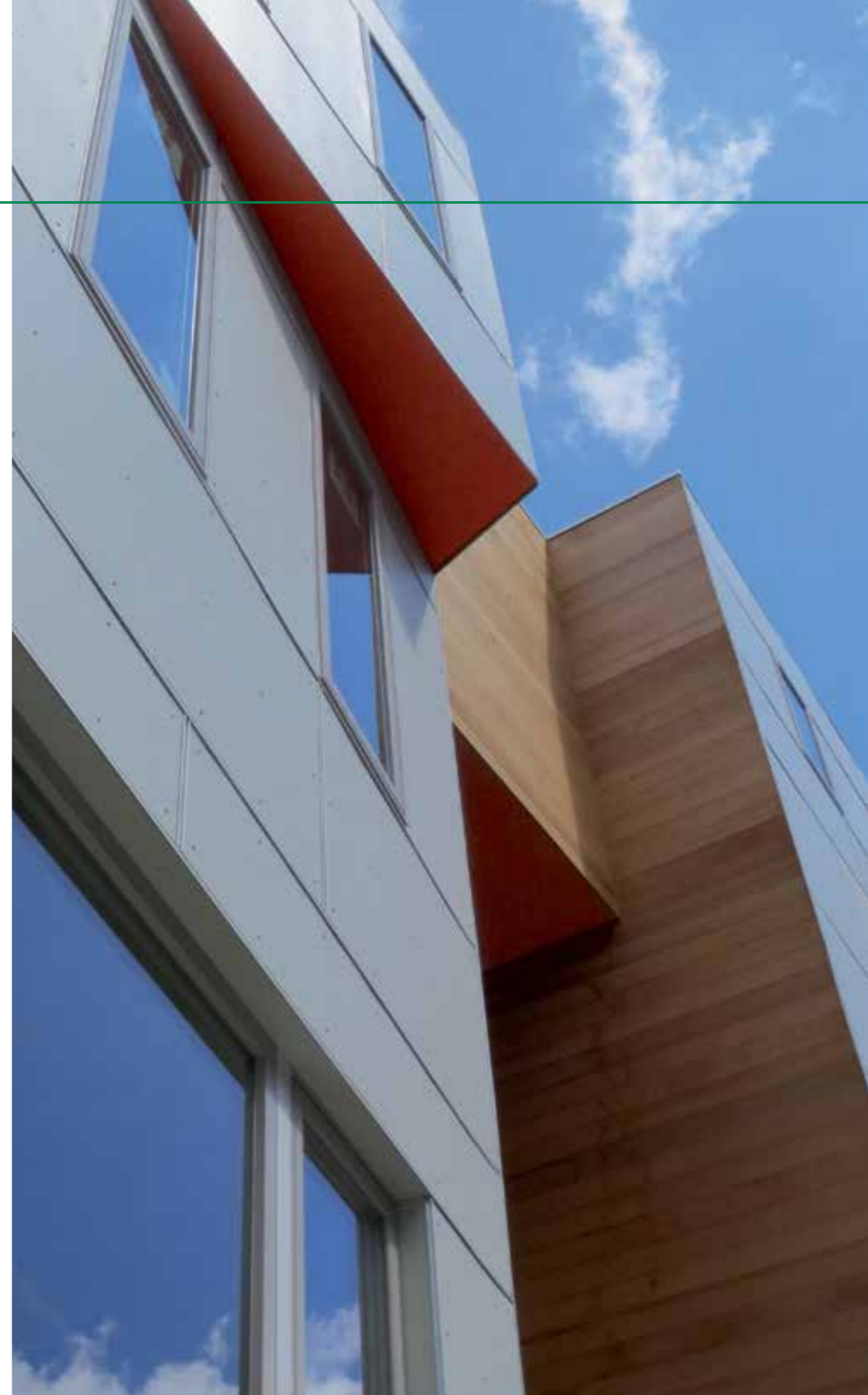
Dimensions: 3050 x 1220 x 8 mm  
(2440 x 1220 x 8 mm on request)

Weight: 41.7 kg per sheet, 11.2 kg/m<sup>2</sup>

Density: 1,300 kg/m<sup>3</sup>

Non combustibility rating:  
ColorPlus™ Technology HardiePanel® cladding  
A2, s1-d0  
PrimePlus™ Sealer HardiePanel cladding  
A1 (prior to being painted)

Warranty: 10 years' limited





# FOR THE PERFECT FINISH

## **HardieZone™ Technology: engineered for climate**

Our cladding products have been engineered for maximum longevity in the European climate, and withstand a diverse range of weather conditions such as wind, rain, hail, snow and sun.

## **ColorPlus™ Technology: visibly different**

All James Hardie® cladding products are enhanced with ColorPlus Technology, a consistent, multi-coat, and baked on factory applied finish created especially to meet the demands placed on a building's facade.

## **PrimePlus™ Sealer: ultimate colour flexibility**

All styles of HardiePanel® cladding are also available pre-primed with PrimePlus™ sealer to provide superior adhesion for projects that require on site painting.





# ColorPlus™ Technology

Available in 21 colours. Cedar, smooth and stucco finish.

				
Arctic White	Light Mist	Cobble Stone	Monterey Taupe	Sail Cloth
				
Woodland Cream	Khaki Brown	Timber Bark	Soft Green	Heathered Moss
				
Mountain Sage	Parkside Pine	Traditional Red	Countrylane Red	Rustic Brown
				
Chestnut Brown	Boothbay Blue	Evening Blue	Ocean Blue	Iron Grey
				
Midnight Black				

Colours illustrated above for guidance only





# ACCESSORIES

Our range of high performance accessories help achieve a perfect finish for the installation of HardiePanel® cladding.

These include:

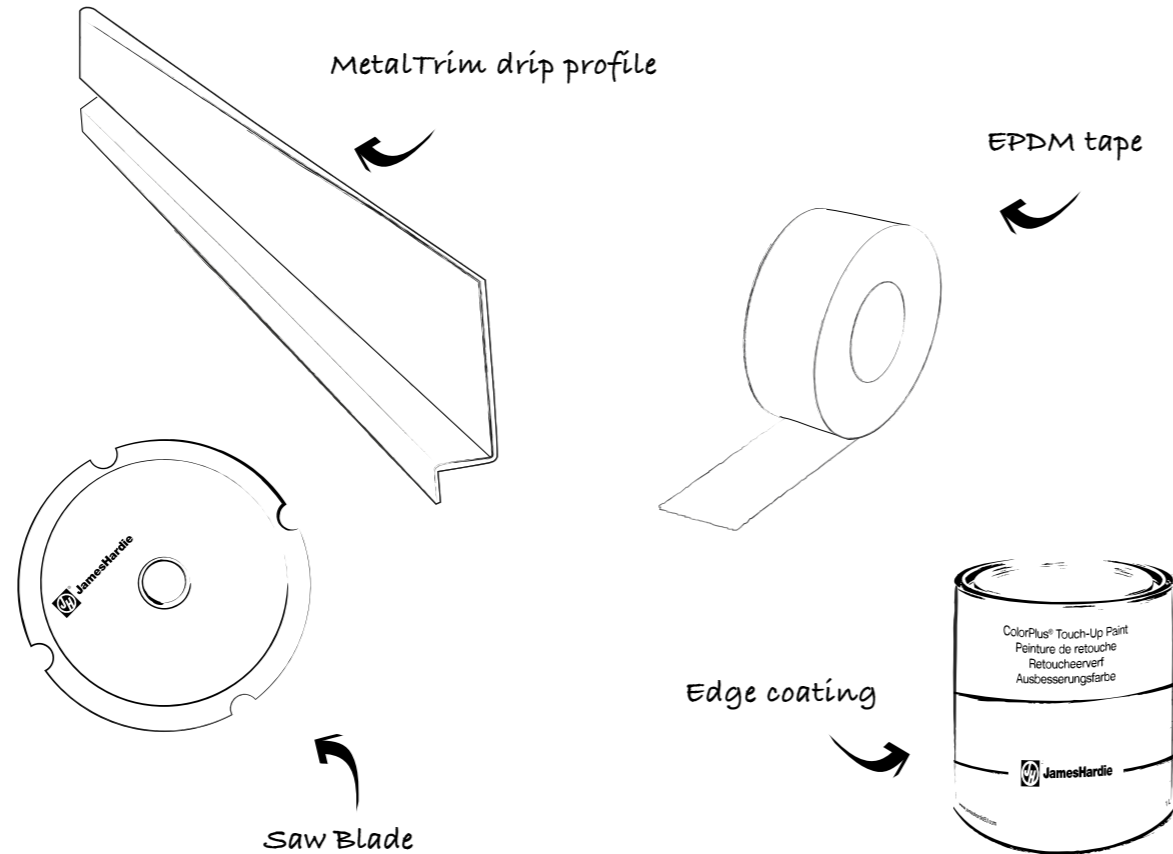
## MetalTrim™ Drip Profile

Manufactured from high quality coated aluminium in 3,000mm lengths, the trim is used to provide a sleek line between each panel, for a dramatic, contemporary appearance perfect for both commercial and residential applications. The drip profile also offers additional protection against the elements, by preventing rainwater intrusion into the joints.

MetalTrim drip profile can be easily cut using a hacksaw or chop saw with a metal blade.

## Precision tools, precision finish

A saw blade, colour headed screws, EPDM and edge coating should be used to achieve a quick installation, with a flawless finish every time.





[www.jameshardie.co.uk](http://www.jameshardie.co.uk)

