

Treehouse Hotel. Pop-up.

Treehouse Hotel Summer Pop Up

□ exposure



Treehouse Hotel. Pop-up.

Summer Pop-Up: August - TBC

The concept for Treehouse Hotel feels more "home" than "hotel" with a cosy welcoming, warm and somehow familiar oasis in the Central of London,

We want to extend the treehouse space outside and create a Summer garden at the front of the hotel which guests can enjoy a coffee or summer's cocktail on the lawn or relax on the sofa seating on a Summer's eve with friends and a bottle of wine.

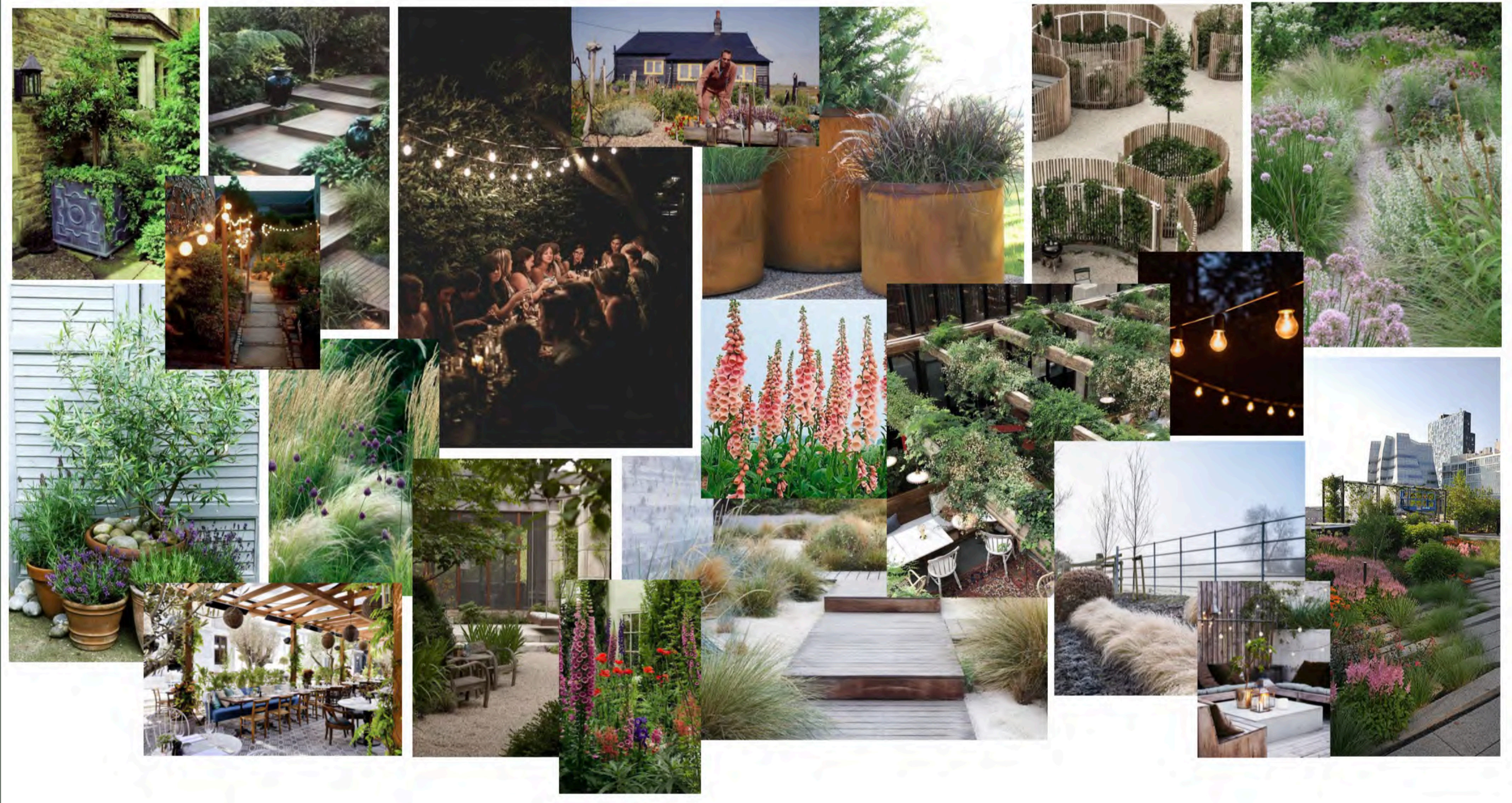


Treehouse Hotel. Pop-up.

Inspiration



Moodboard



Final Concept

Astro-turf flooring with raised decking seating area with festoons, trough planters and smaller pots with grasses.

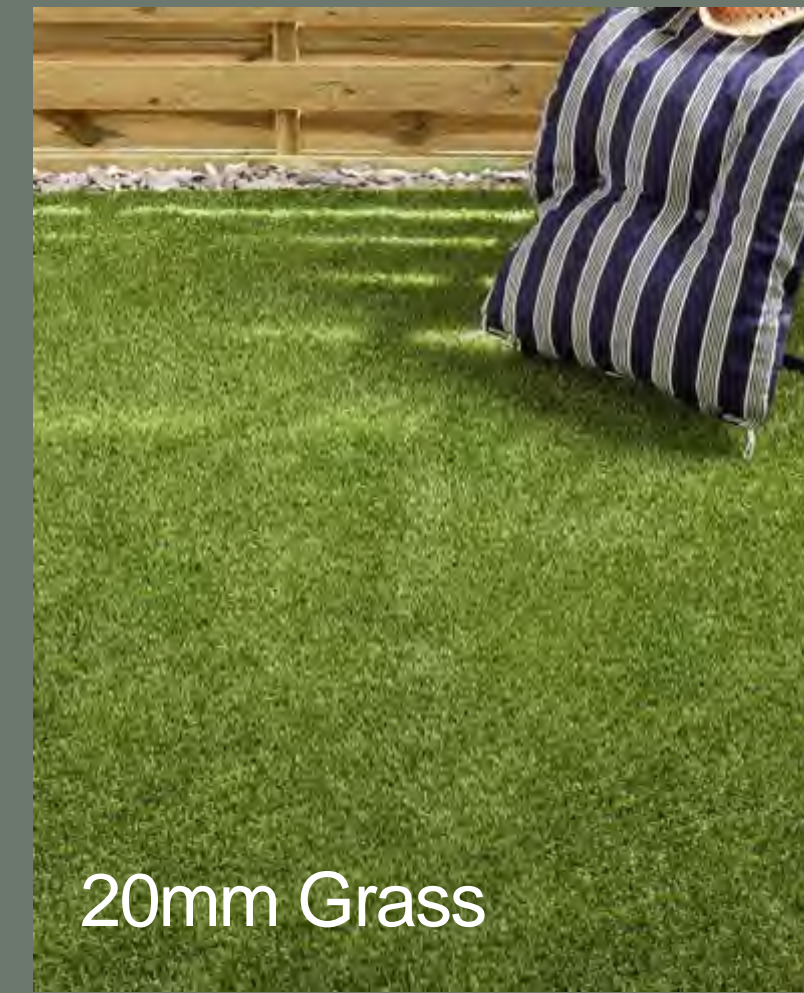
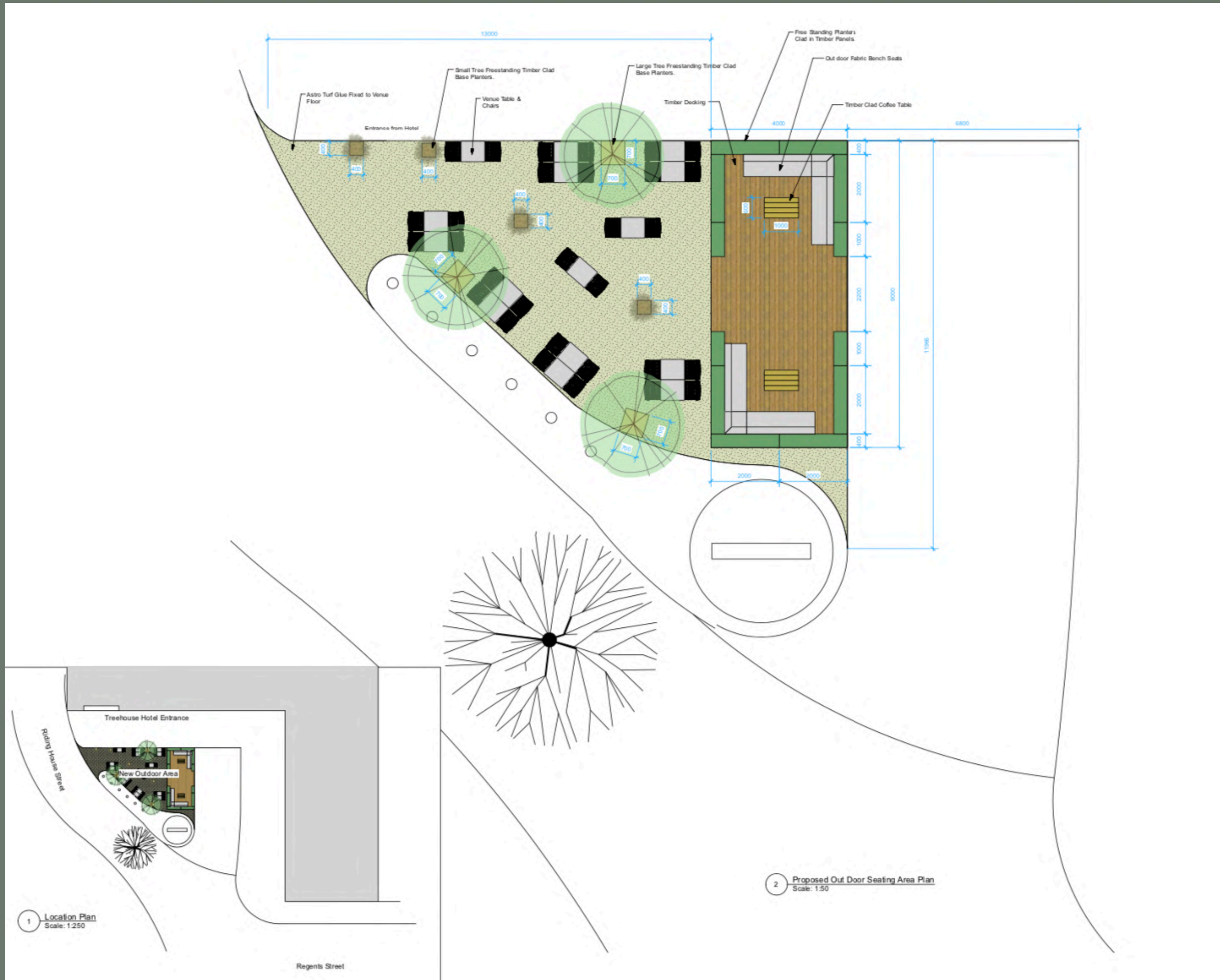


Concept Drawing



**Please note there is no cladding around the central BBC circle, astro-turf finishes after the decking .*

Floorplan



20mm Grass

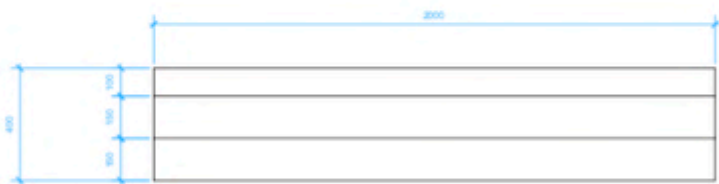
Breakdown:

- Artificial Grass (20mm) x 110sqm
- Decking 9.5m x 4m
- Tree Planters 700mmx700mm x3
- Trees (Native Birch x3)
- Small Planters 400mm x 400mm x4
- Small Plants (Prunus Lusitanica, Wyjelia, Dogwood) x3
- Timber Troughs 1000mm x 400mm x2 2000mm x 400 x8
- Plants for Troughs (mixed grasses, Skimmia japonica, evergreen shrubs, hardy ferns, leucothoe)
- Festoon lighting for decking and 3 large trees
- Bench seating x4 with upholstered seat pad
- 12x cushions
- Timber coffee tables x2

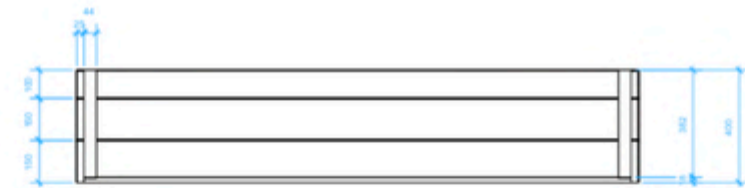
Planters



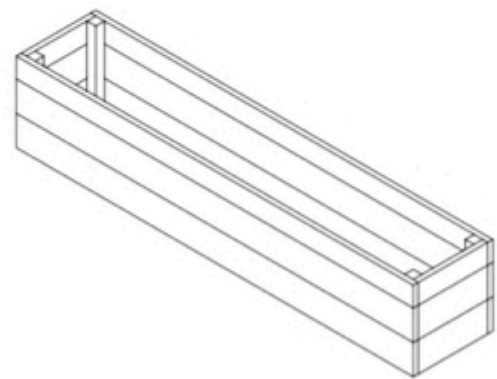
3 Plan Scale: 1:10



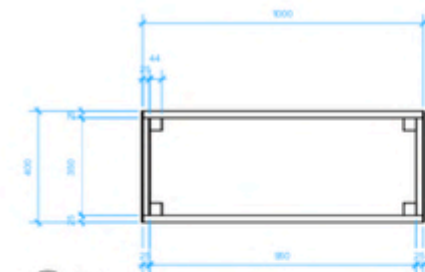
4 Front Elevation Scale: 1:10



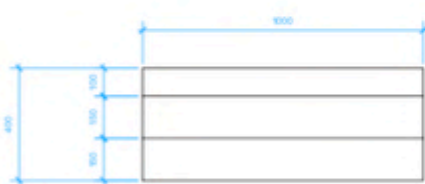
5 Long Section Scale: 1:10



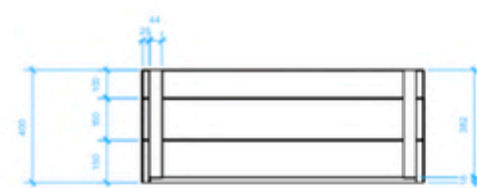
Quantity 8 off required



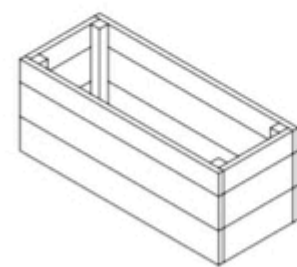
6 Plan Scale: 1:10



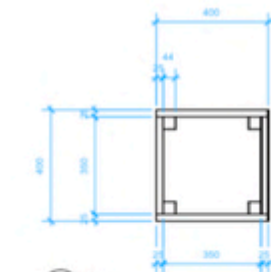
7 Front Elevation Scale: 1:10



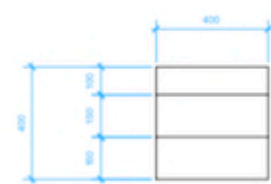
8 Long Section Scale: 1:10



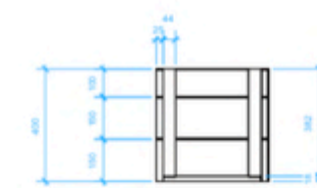
Quantity 2 off required



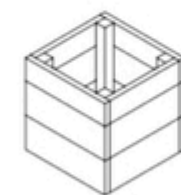
9 Plan Scale: 1:10



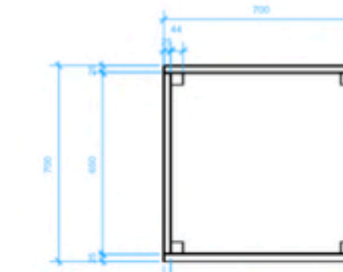
10 Front Elevation Scale: 1:10



11 Long Section Scale: 1:10



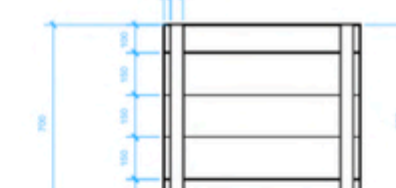
Quantity 4 off required



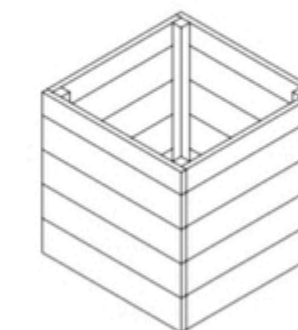
12 Plan Scale: 1:10



13 Front Elevation Scale: 1:10



14 Long Section Scale: 1:10



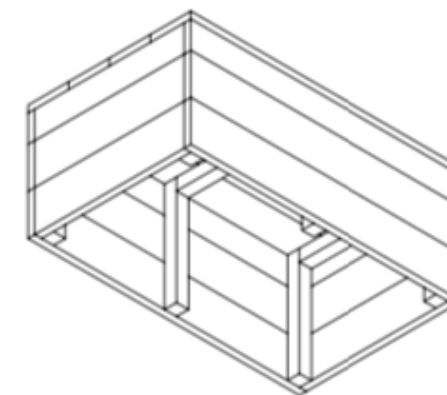
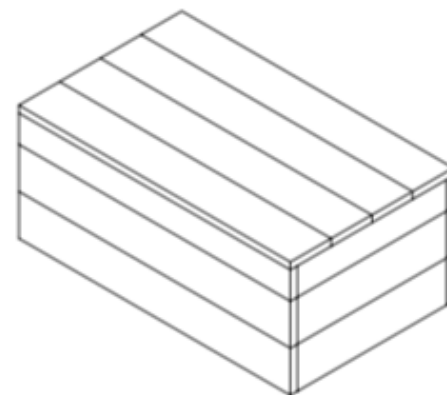
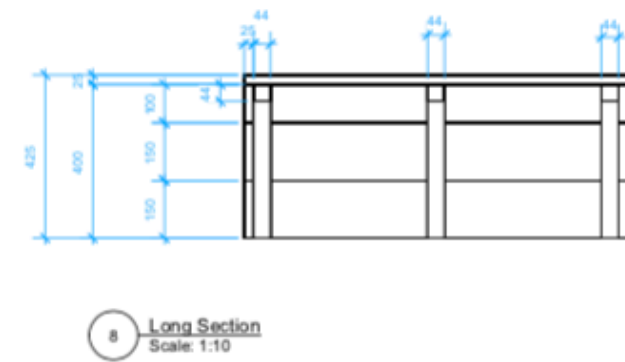
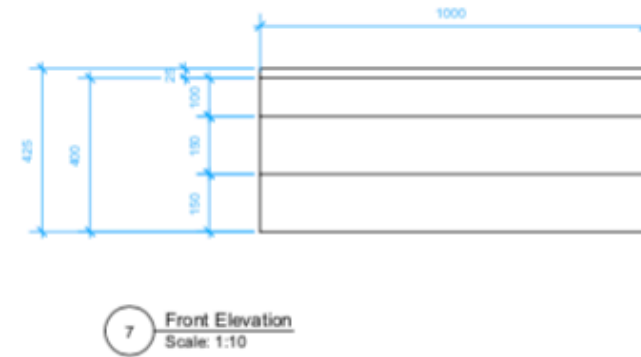
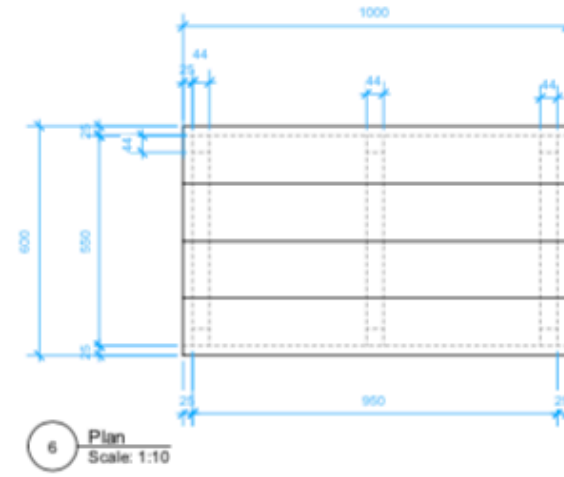
Quantity 3 off required



Timber colour

Treehouse Hotel. Pop-up.

Coffee Tables



Quantity 2 off required



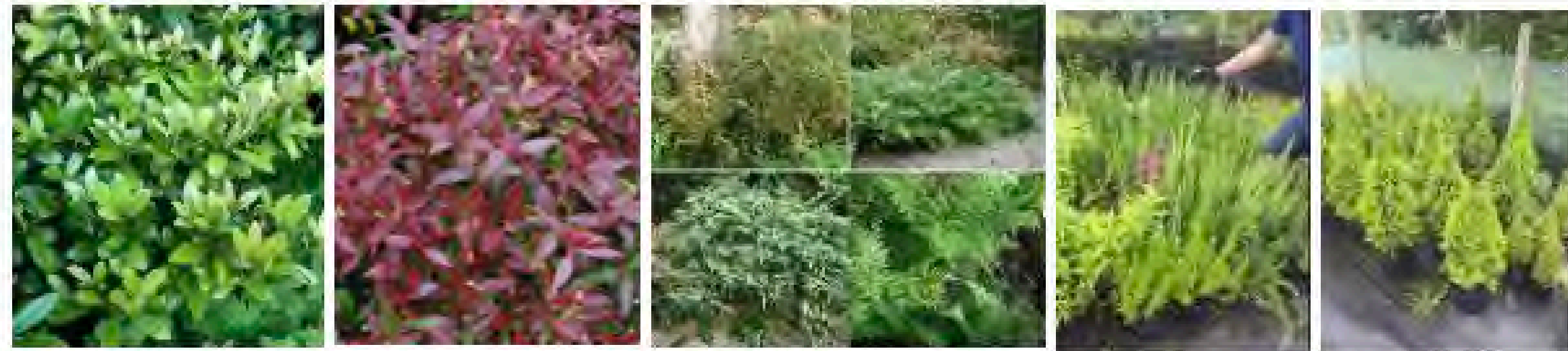
Timber colour

Treehouse Hotel. Pop-up.

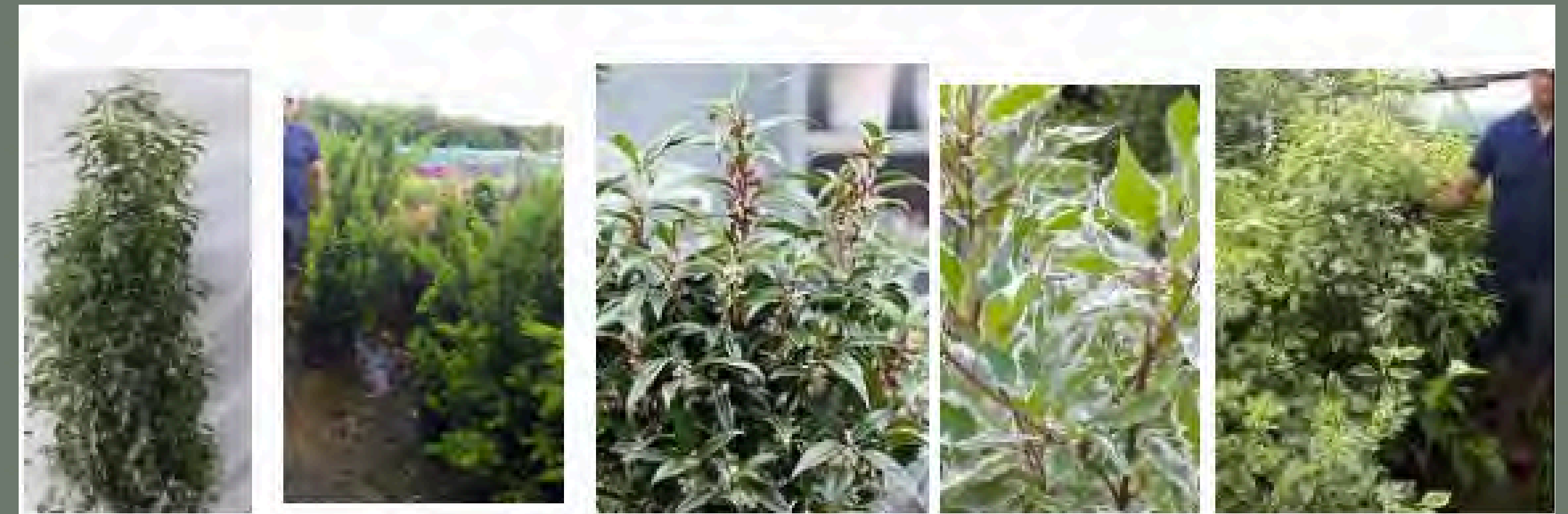
Decking



Plants



Skimmia japonica, evergreen shrubs, hardy ferns, Leucothoe, Rosemary, small conifers etc



Prunus lusitanica, Taxus, Wyjelia, Dogwood, Pittosporum etc

Treehouse Hotel. Pop-up.

Treehouse Chairs



Removed each evening and stored in the hotel

Treehouse Hotel. Pop-up.

Table Options



Treehouse Hotel. Pop-up.

Table Options



Treehouse Hotel. Pop-up.

Other Details

Festoons - around the decking and 3x large tree's



Parasols x4



Plant pots to dress tables: Inspiration from the below



Thank you

Intellectual Property Notice

For the avoidance of doubt, Exposure Promotions Limited ("**Exposure**") will remain the sole and absolute owner of all ideas, drawings, designs, text, illustrations, pictures, photographs, marketing concepts, and other documents or recordings in any form or medium (including the entirety of this presentation) and all other material, in whatever form, conceived, originated, supplied or created by Exposure and/or any of its affiliates, personnel, agents and/or sub-contractors ("**Work Product**").

All intellectual property rights (and all other proprietary rights whether now known or in the future created) arising as a result of use of Work Product, shall vest absolutely in Exposure and Exposure shall be solely entitled to register or otherwise protect such rights. Neither (1) the person or entity to whom this presentation or any other Work Product is supplied nor (2) any of the affiliates, personnel, representatives agents and/or sub-contractors of such person or entity has any right to use, modify or copy Work Product or to apply for intellectual property protection (including but not limited to patent, design right or trademark applications - preliminary or otherwise) in relation to any part or any aspect of Work Product.