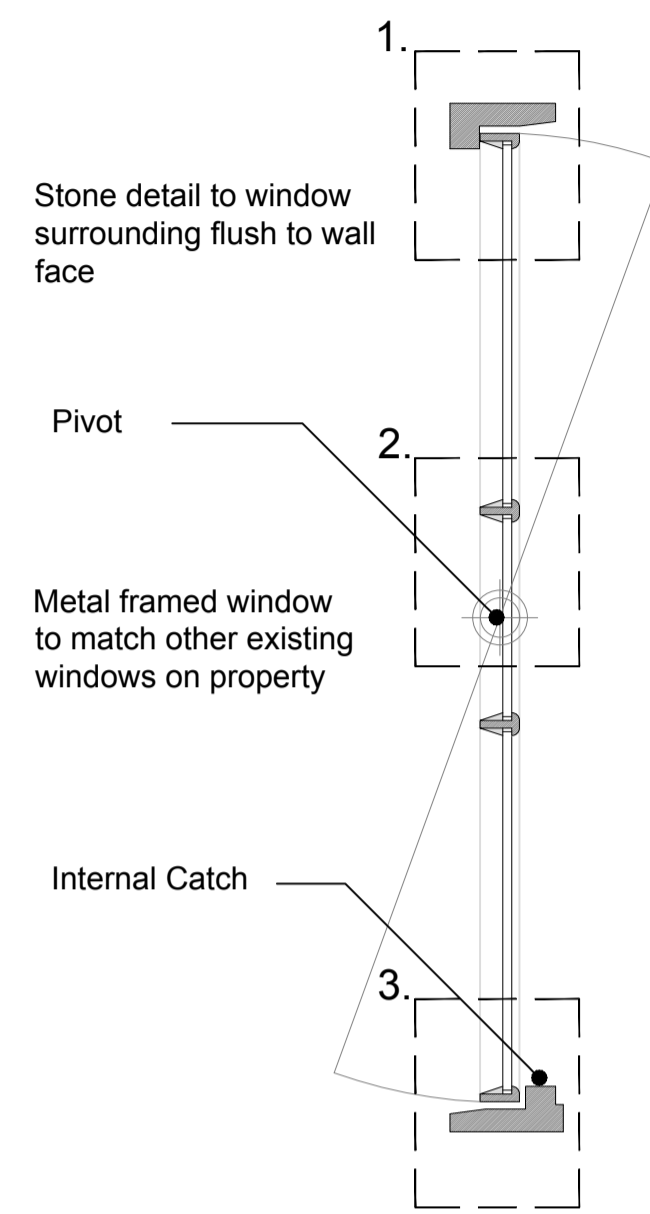
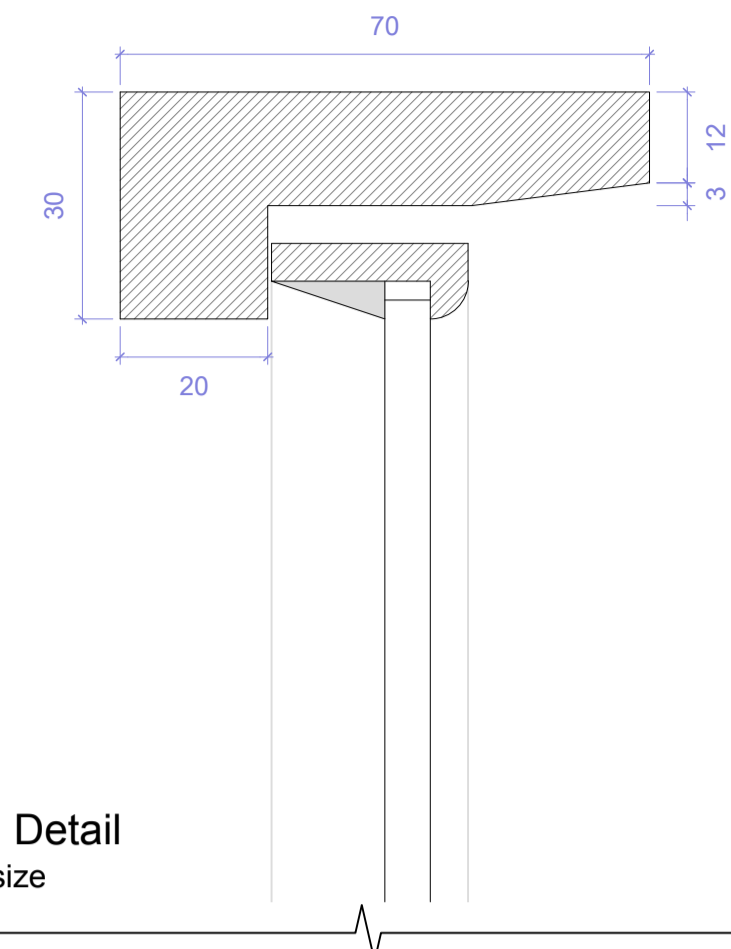


Elevation  
scale 1:5

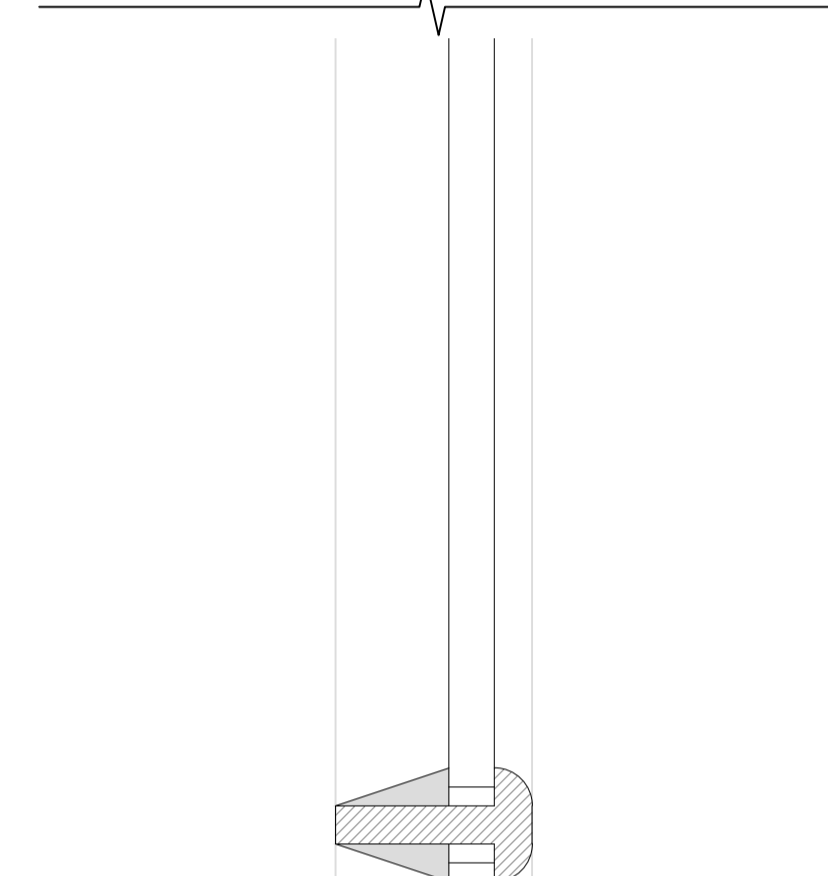


Section  
scale 1:5

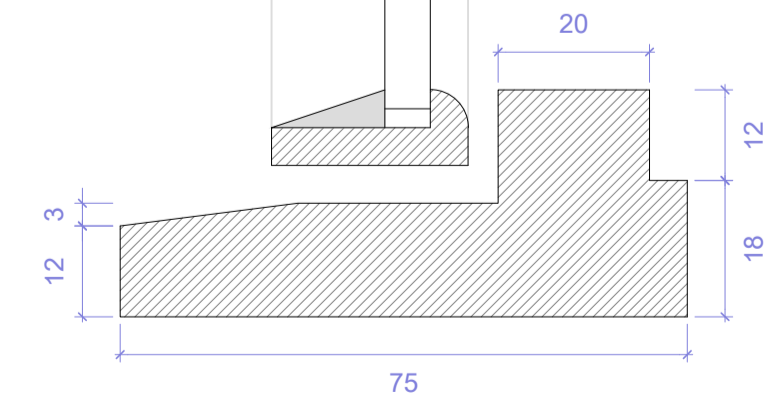
PROPOSED WINDOW - TYPE 01



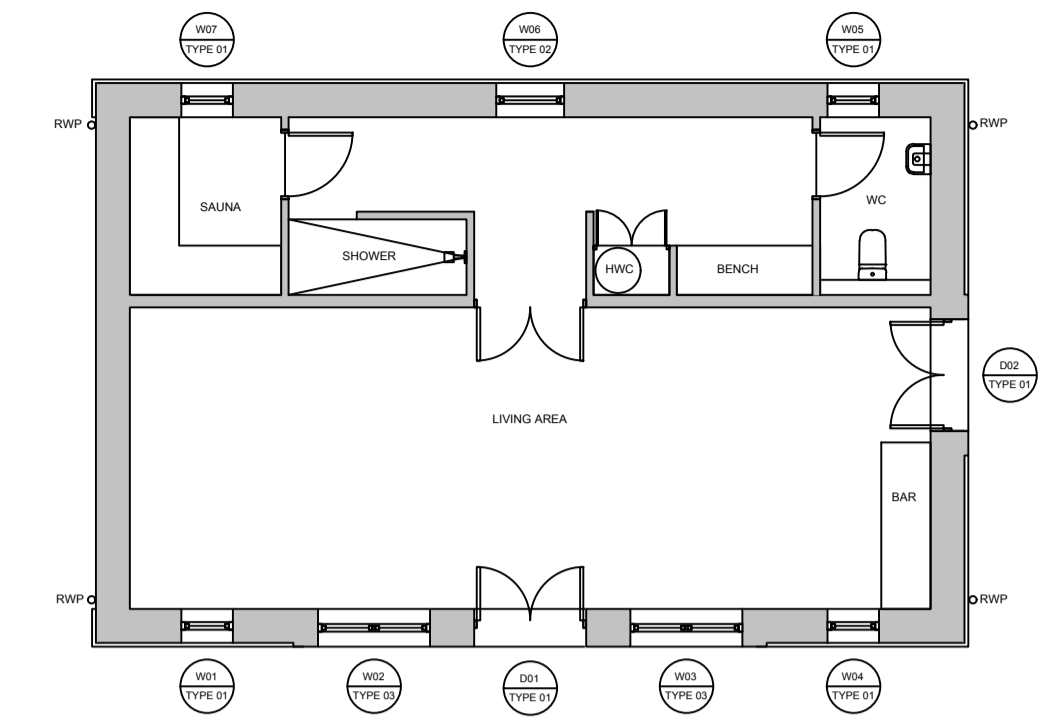
1. Head Detail  
scale full size



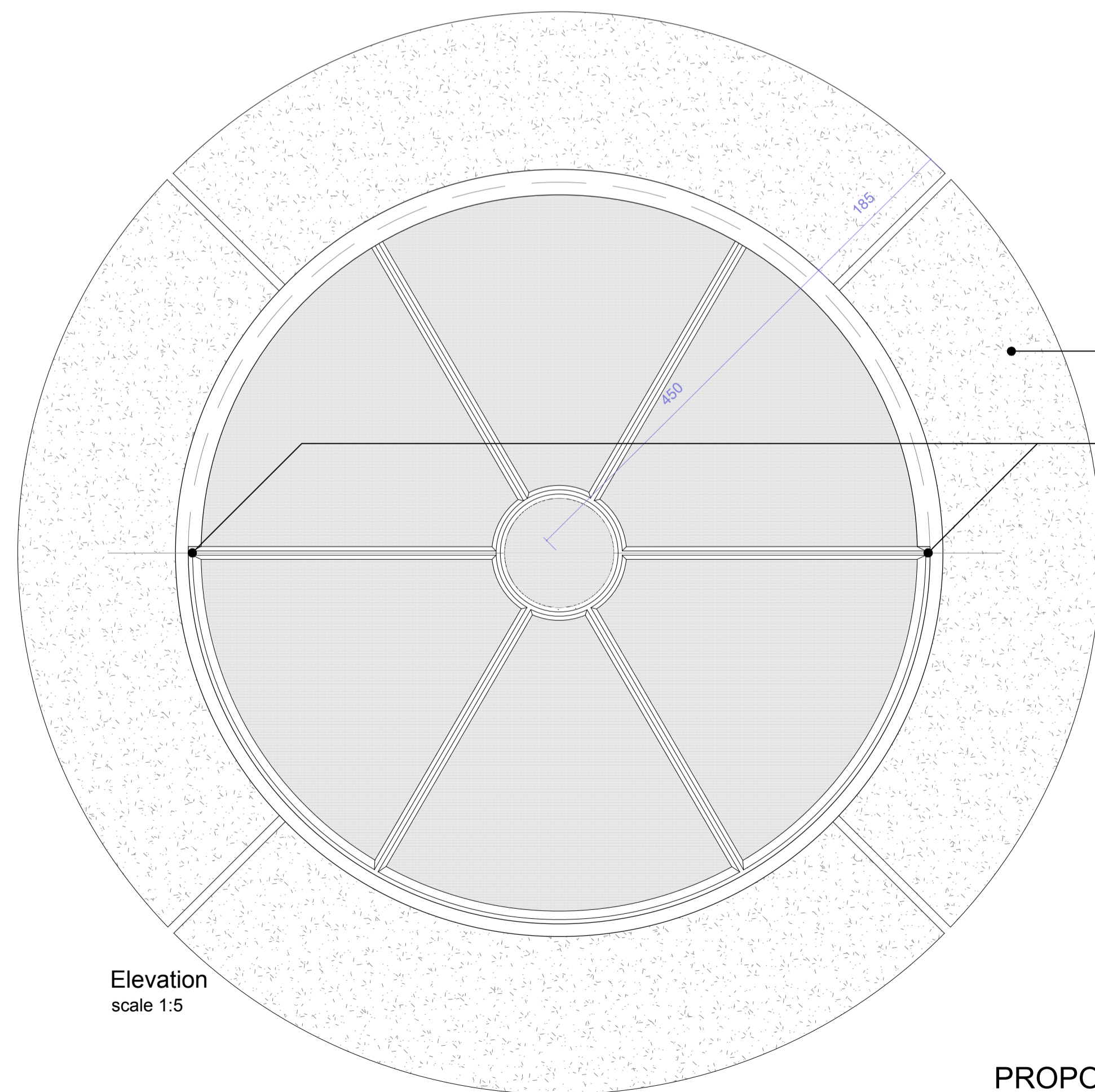
2. Glazing Bar Detail  
scale full size



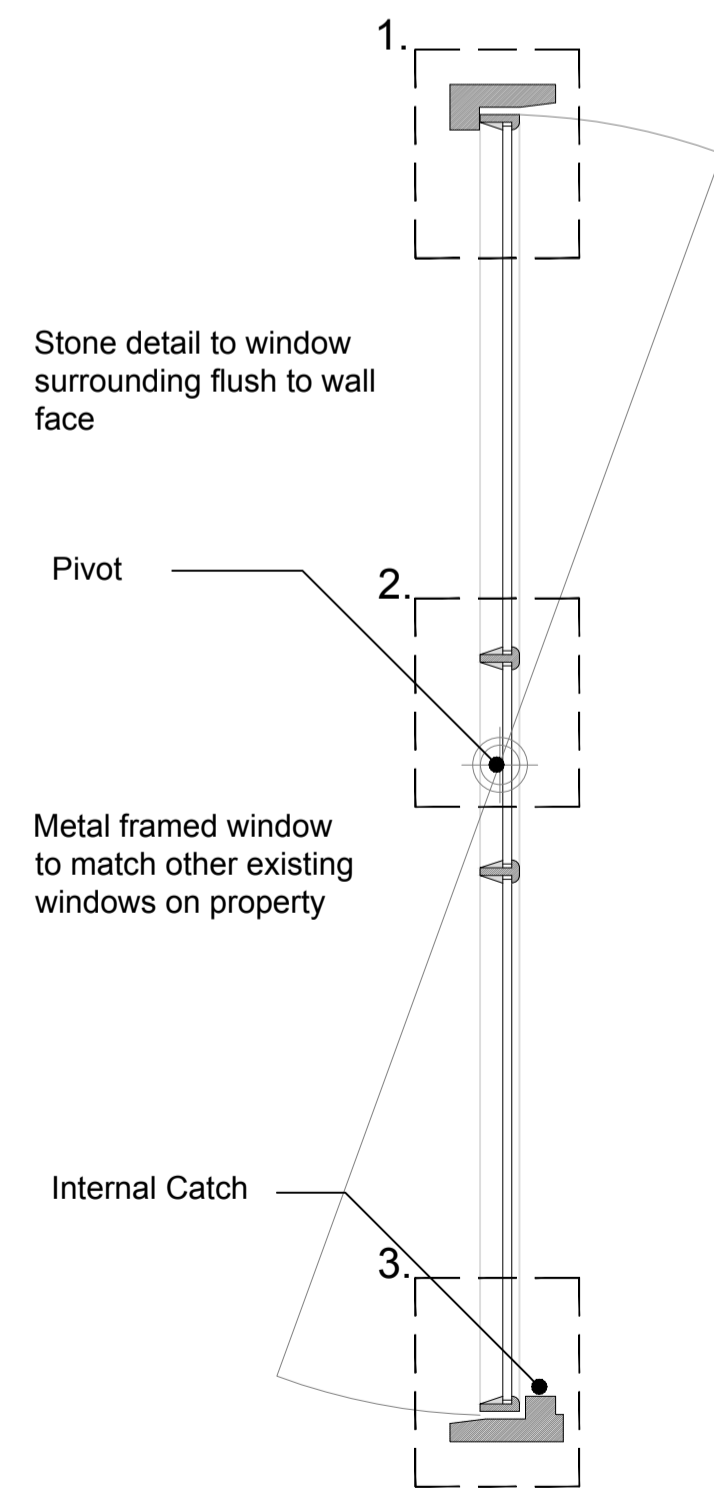
3. Cill Detail  
scale full size



Key Plan  
scale 1:100



Elevation  
scale 1:5



Section  
scale 1:5

PROPOSED WINDOW - TYPE 02

Rev	Description	Date	Drawn	Chk'd

CHERINGTON PARK, TETBURY

PROPOSED WINDOWS - TYPES 01 & 02



PLANNING DRAWING

NOTES:  
Contractors are not to scale dimensions from this drawing with all dimensions to be checked on site.