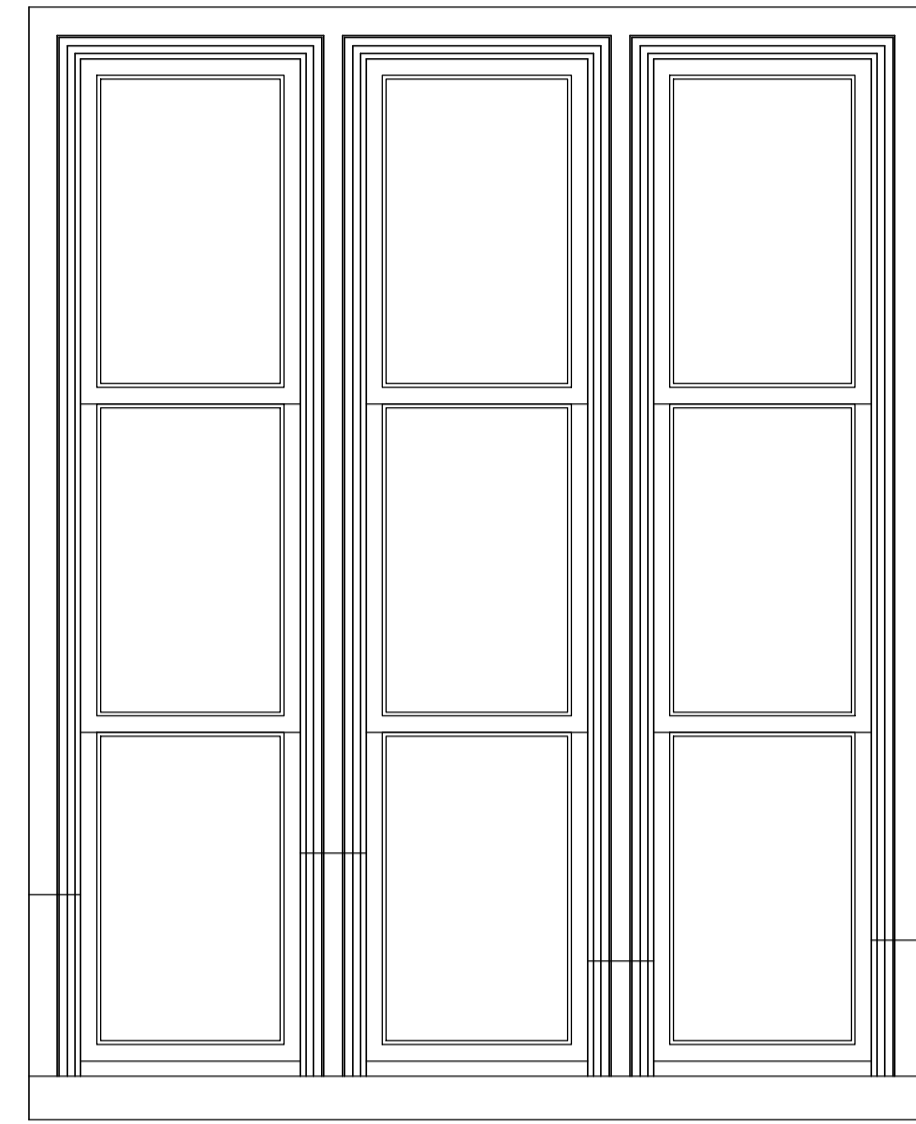
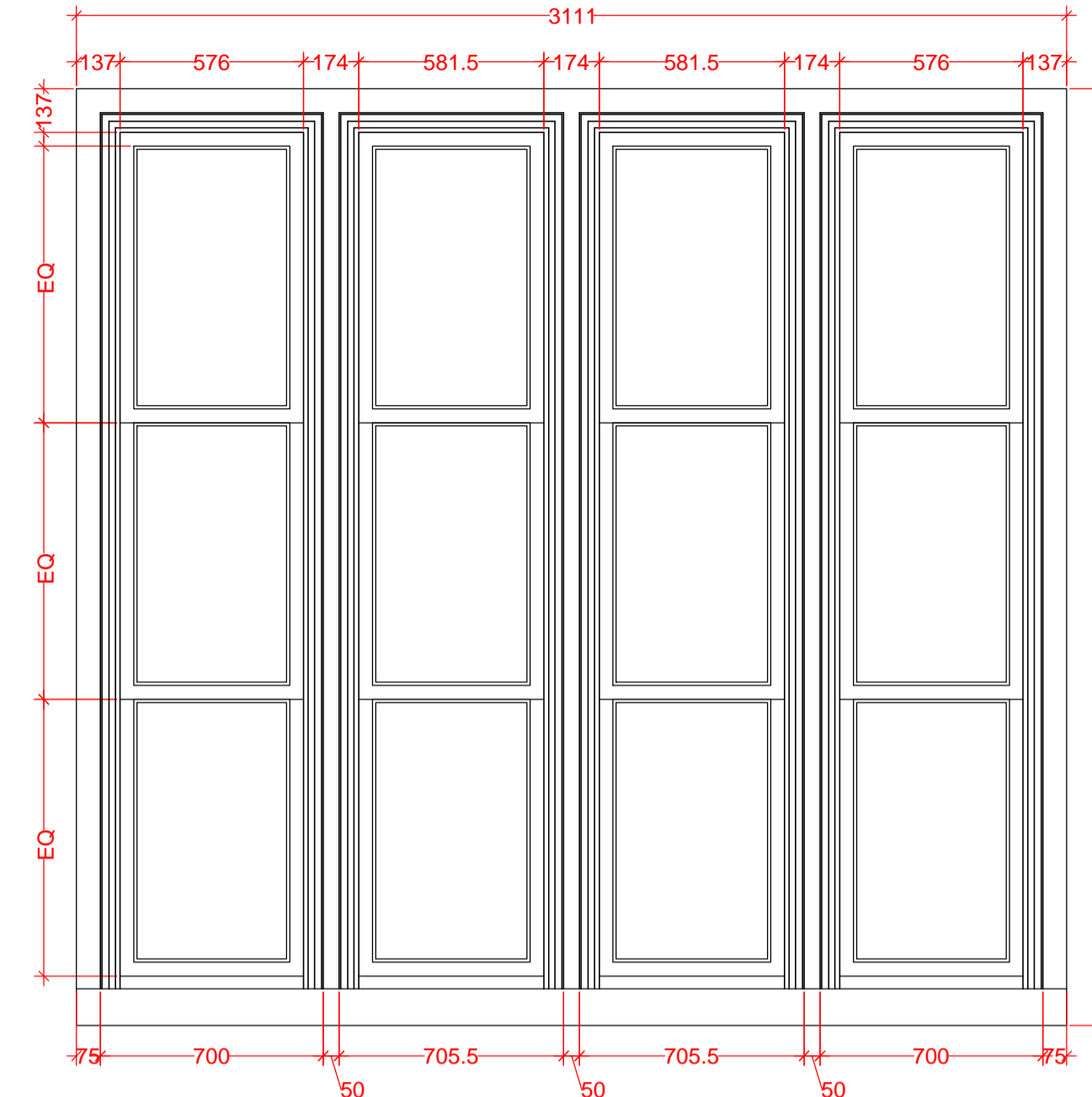


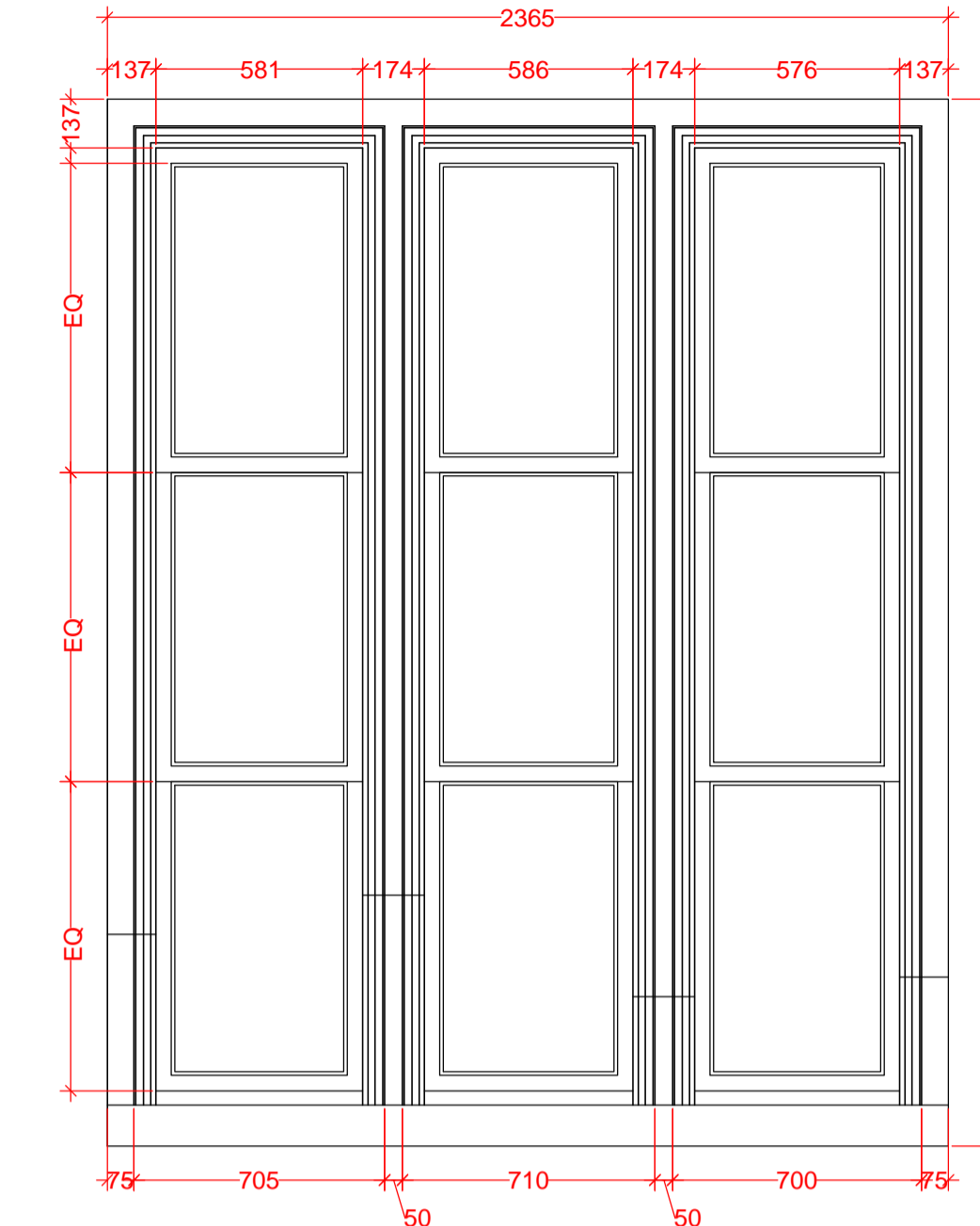
Existing Window 01  
Existing Window Elevations 1:20



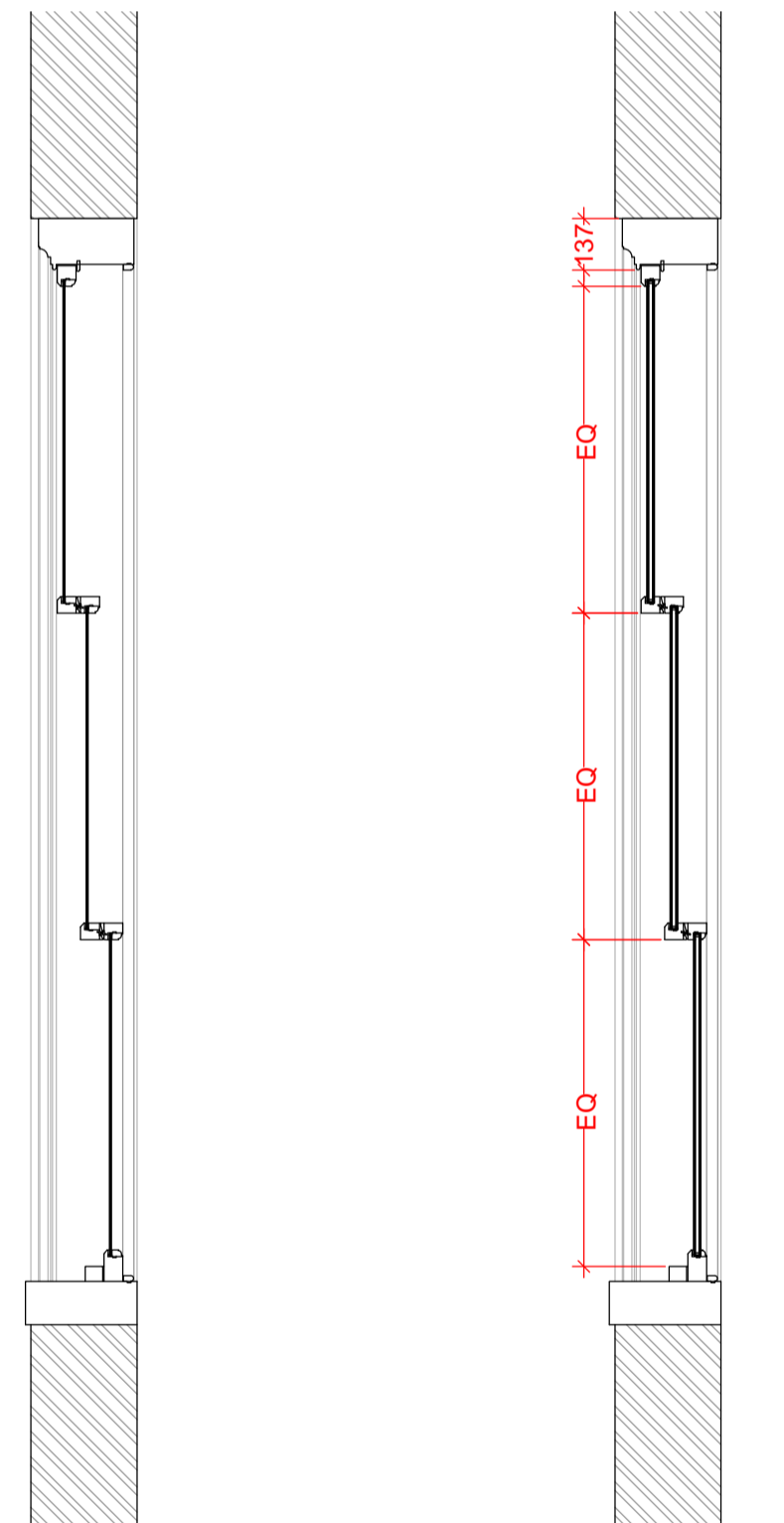
Existing Window 02



Proposed Window 01  
Proposed Window Elevations 1:20



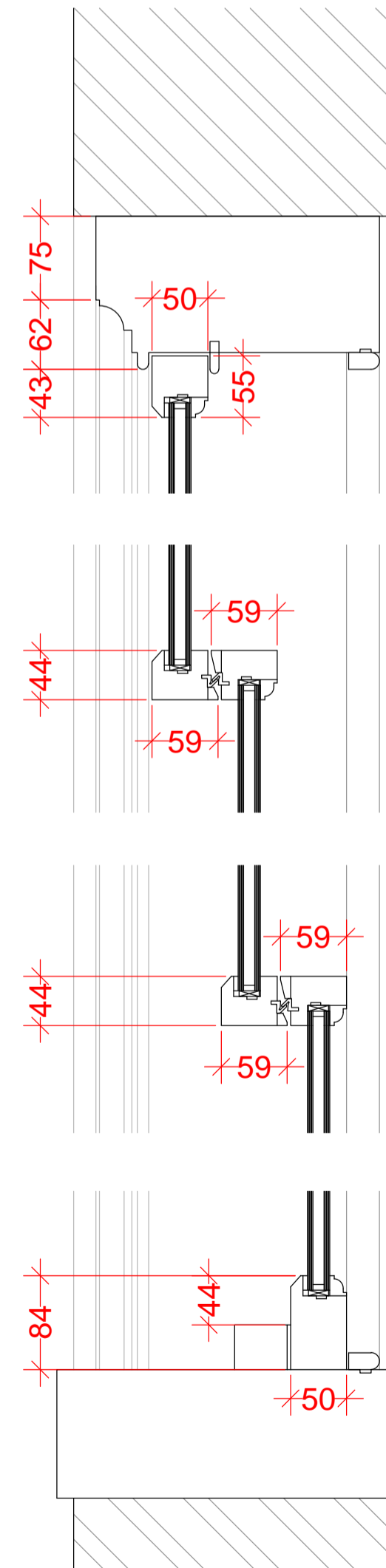
Proposed Window 02



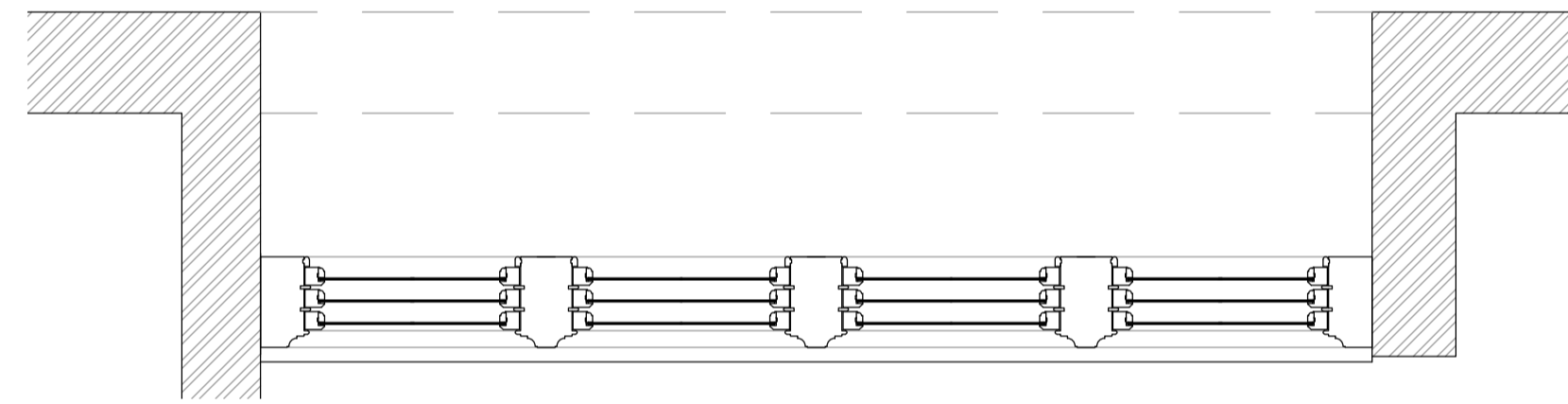
Existing  
Proposed  
Window 01 & 02 Section Profiles 1:20

Existing Single Glazed Three Panel Sliding Sash Windows to be Upgraded to Double Glazing and Weather Protected.

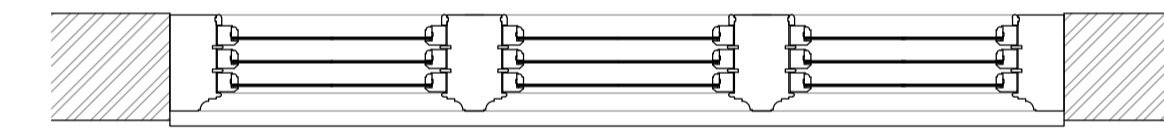
Existing Wooden Frames/Details to be Retained with New Sash Window Sections to be Replaced Like for Like.



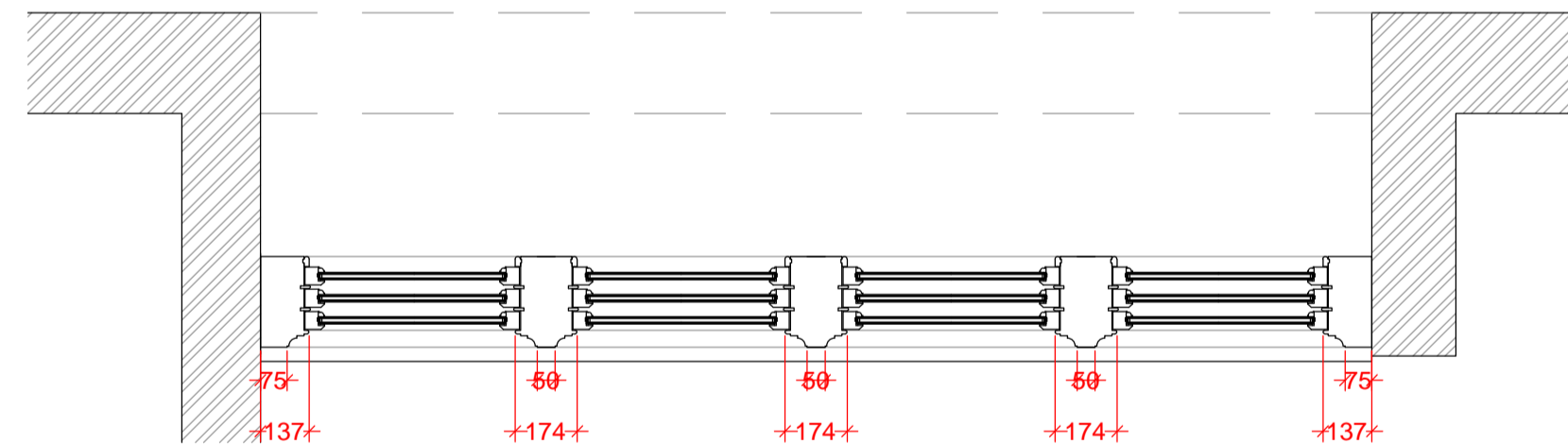
Proposed Windows 01 & 02  
Section Profiles 1:5



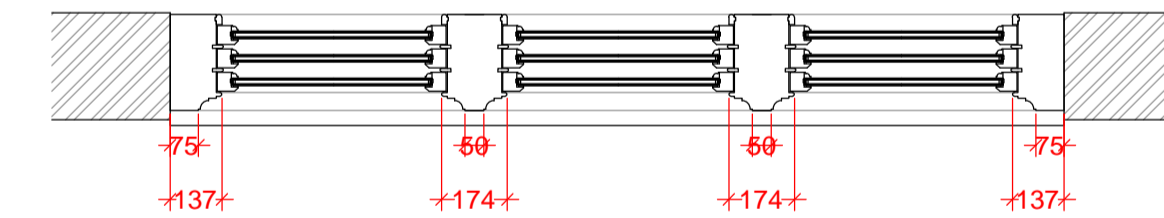
Existing Window 01 Profile Detail in Plan 1:20



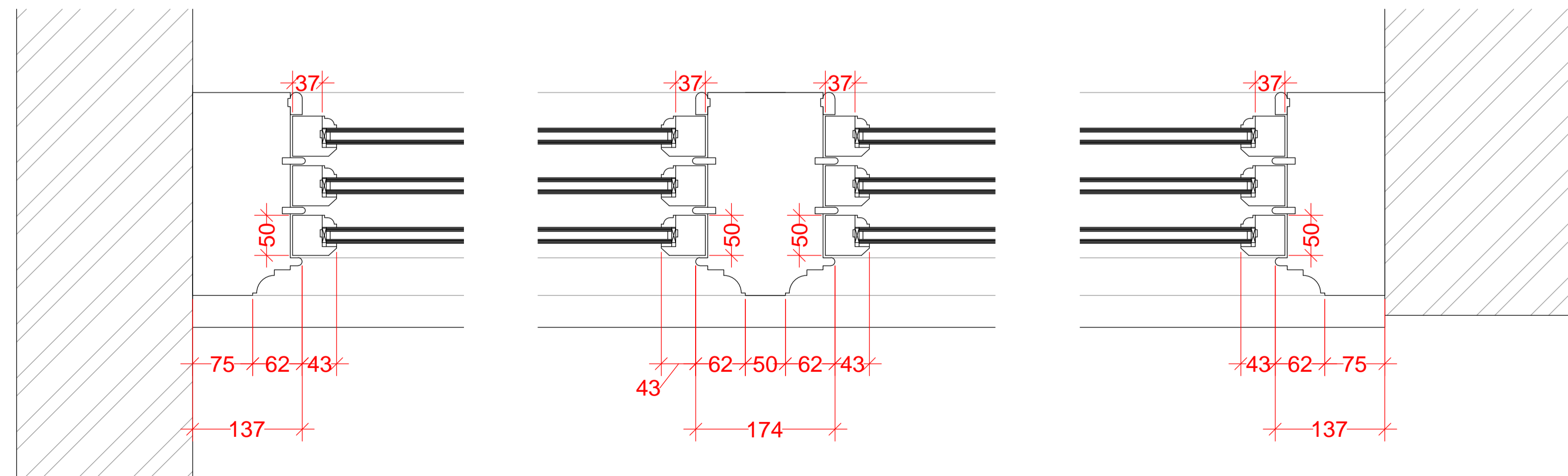
Existing Window 02 Profile Detail in Plan 1:20



Proposed Window 01 Profile Detail in Plan 1:20



Proposed Window 02 Profile Detail in Plan 1:20



Proposed Window 01 and 2 General Profile Detail in Plan 1:5

Copyright ©  
This drawing and the information contained therein is issued in confidence and is the copyright of GTCE Civil & Structural Consulting Engineers. Disclosure of this information to Third Parties and unauthorised copying or replication of this data without approval is forbidden.

- GENERAL:
- ALL DRAWINGS & SPECIFICATIONS ARE SUBJECT TO PLANNING & BUILDING REGULATIONS APPROVAL AS A CONSEQUENCE UNTIL A PLANNING & BUILDING REGULATIONS NOTICE OF DECISION IS ISSUED THEY ARE SUBJECT TO CHANGE AND AMENDMENTS
  - ALL THIRD PARTY INFORMATION INCLUDING FRA, DESIGN & ACCESS STATEMENTS, STRUCTURAL CALCULATIONS, ARE SUBJECT TO PLANNING & BUILDING REGULATIONS AND BY VIRTUE IS ALSO SUBJECT TO CHANGE AND AMENDMENTS
  - UPON FULL PLANNING & BUILDING REGULATIONS APPROVAL A FINAL SET OF DRAWINGS, SPECIFICATIONS AND ANY RELEVANT THIRD PARTY DOCUMENTATION WILL BE ISSUED, UNTIL THAT TIME THE DOCUMENTATION PRESENTED IS FOR INFORMATION ONLY AND ANY WORKS CARRIED OUT WITHOUT FORMAL DOCUMENTATION IS AT THE CLIENTS OWN RISK
  - THE DRAWINGS ARE COPYRIGHT AND MUST NOT BE COPIED IN PART OR IN WHOLE UNLESS AGREED IN WRITING BY ADP Ltd
  - ALL DIMENSIONS ARE IN MILLIMETERS UNLESS STATED OTHERWISE
  - DO NOT SCALE FROM THE DRAWINGS
  - ALL DIMENSIONS AND LEVELS ARE TO BE CHECKED BY THE CONTRACTOR PRIOR TO COMMENCEMENT OF WORK. ANY DISCREPANCY SHALL BE REPORTED IMMEDIATELY TO ADP / GTCE
  - THE DRAWINGS SHALL BE READ IN ACCORDANCE WITH ALL OTHER CONTRACT DOCUMENTS RELEVANT AT THE TIME OF ISSUE AND DURING THE PERIOD OF THE CONTRACT

Rev	Date	Revisions	By
A			



Hull Office: 528 Holderness Road  
Kingston Upon Hull  
HU9 3DT  
Telephone: 01482 782304  
Email: info@adpuk.co.uk  
Web Site: www.adpuk.co.uk

CLIENT  
**Mr Harish Lad**

PROJECT  
**49 Keldgate  
Beverley  
HU17 8HU**

TITLE  
**Proposed Window  
Schedule**

Scale: 1:20/5 A1 Date: 13-01-21

Drawn By: C Giles  
Checked: SN  
Approved: SN

- Status
- |  |   |
|--|---|
| <input type="checkbox"/> WORKING DRAFT<br><small>not for issue</small>               | <input type="checkbox"/> PRELIMINARY DRAWING<br><small>subject to detailed design</small> |
| <input type="checkbox"/> DRAFT<br><small>not for construction</small>                | <input type="checkbox"/> FINAL DRAWING  |
| <input type="checkbox"/> CONSULTATION DRAWING<br><small>not for construction</small> | <input type="checkbox"/> CONSTRUCTION DRAWING   |

Drawing No : J8046-206 Rev: -