

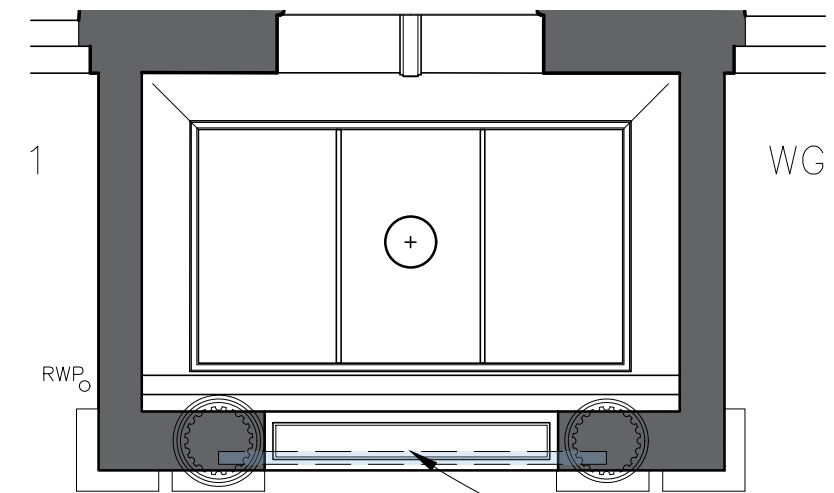
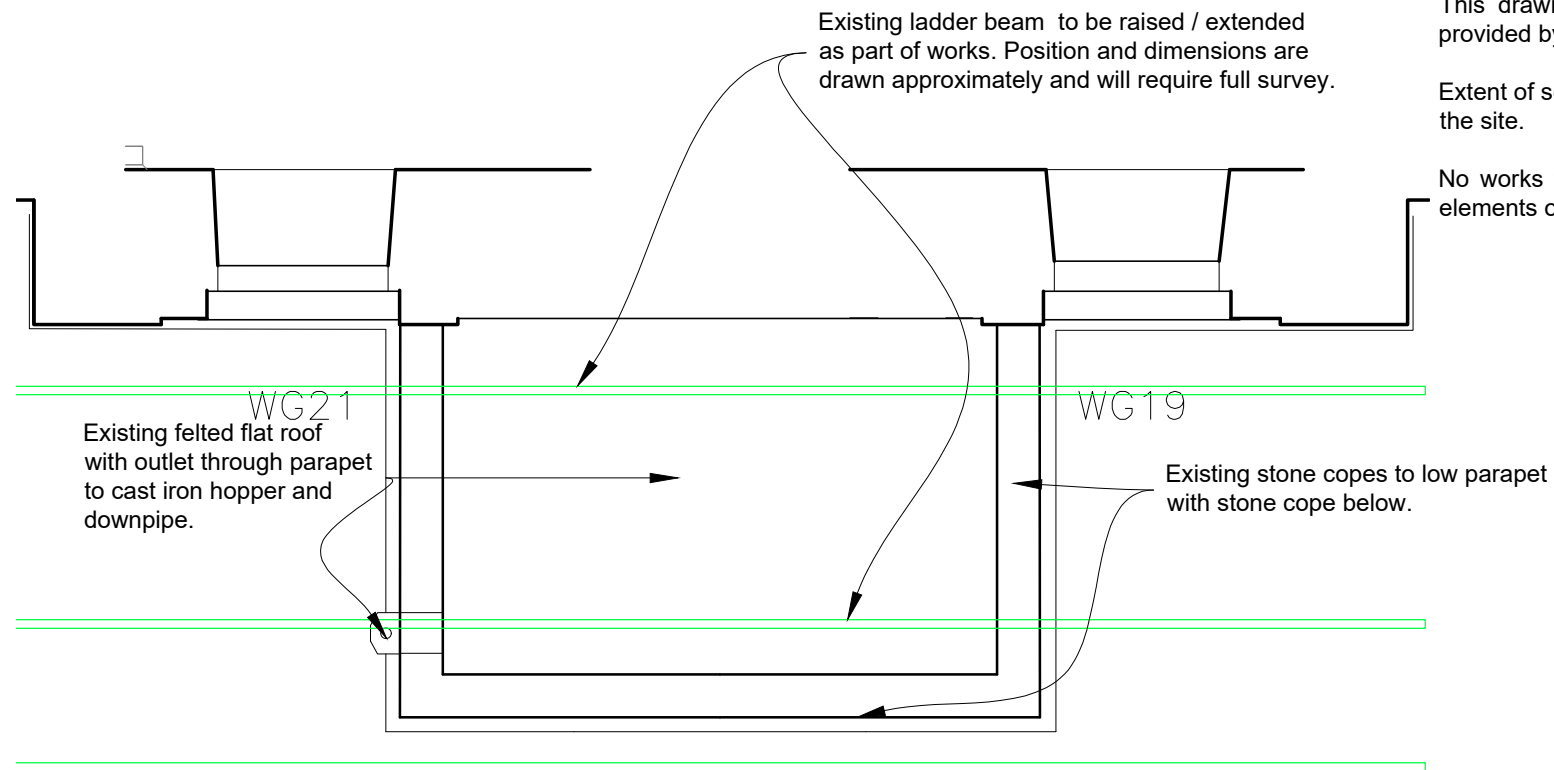
NOTE

Do not scale from this drawing - all dimensions should be checked on site by the contractor prior to construction and discrepancies notified to the architect immediately.

This drawing should be read in conjunction with the architect's drawings, specification and schedules, and those provided by the other consultants.

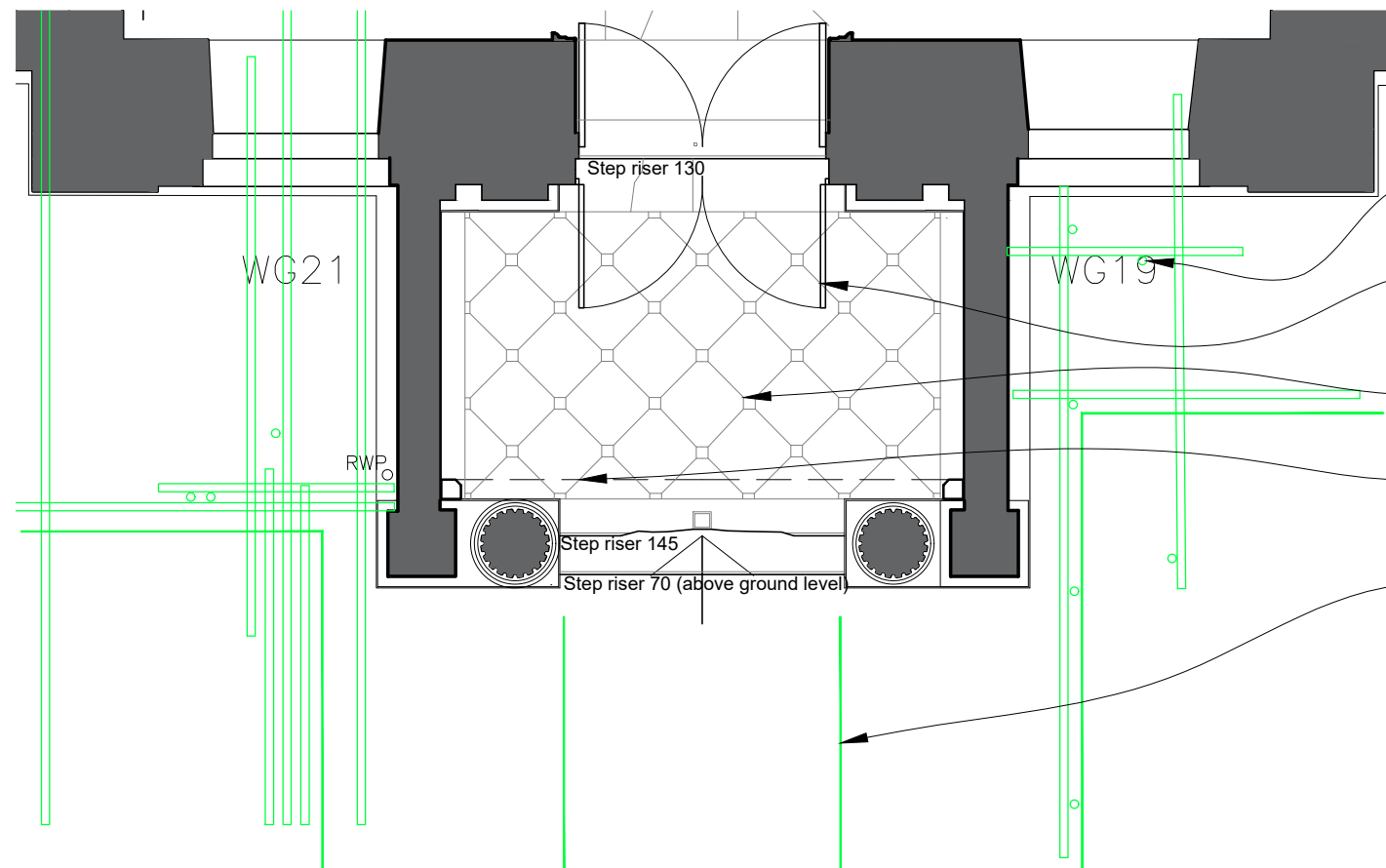
Extent of scaffolding shown on this drawing is indicative only and precise locations should be ascertained by visiting the site.

No works to be carried out until the appropriate bat licenses and statutory consents are in place. Floor and original elements of the building to be carefully protected during the works.



REFLECTED CEILING PLAN OF PORTICO (PORCH)

ROOF PLAN OF PORTICO (PORCH)



FLOOR PLAN OF PORTICO (PORCH)

Vertical supports and associated ties through window to be moved /removed as part of works.

Temporary timber door - removed as part of works

Existing stone flagged floor with black stone inset squares

Temporary timber screen - removed as part of works

Existing corrugated metal hording (green hatched area) and doors to main entrance to be altered and reduced to area beyond projecting bay of main building.

Simpson & Brown

www.simpsonandbrown.co.uk
The Old Printworks, 77a Brunswick Street, Edinburgh, EH7 5HS
admin@simpsonandbrown.co.uk 0131 555 4678

Architecture Heritage Consultancy Archaeology

JOB TITLE Poltimore House Portico

CLIENT Poltimore House Trust

DWG TITLE Floor, Ceiling and Roof Plans

As Existing

A3 SCALE DRAWN STATUS

1:50 SW TENDER

JOB NO. DWG NO. REV

1099.02 PPS05