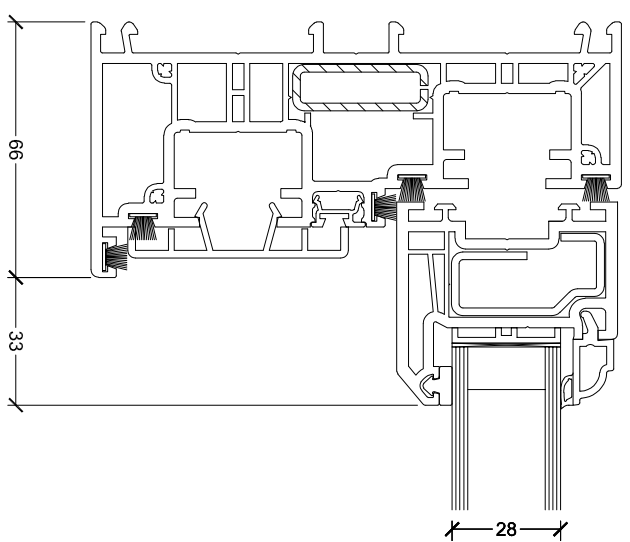
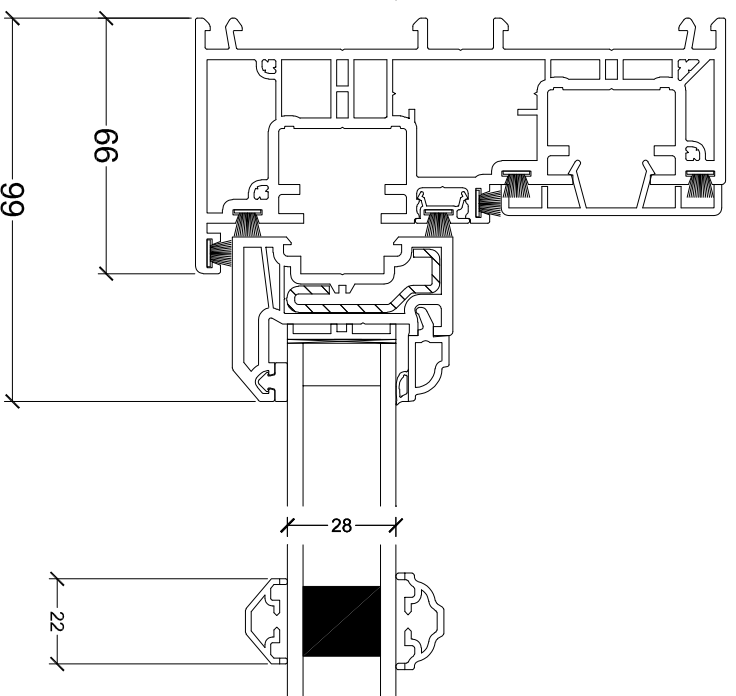


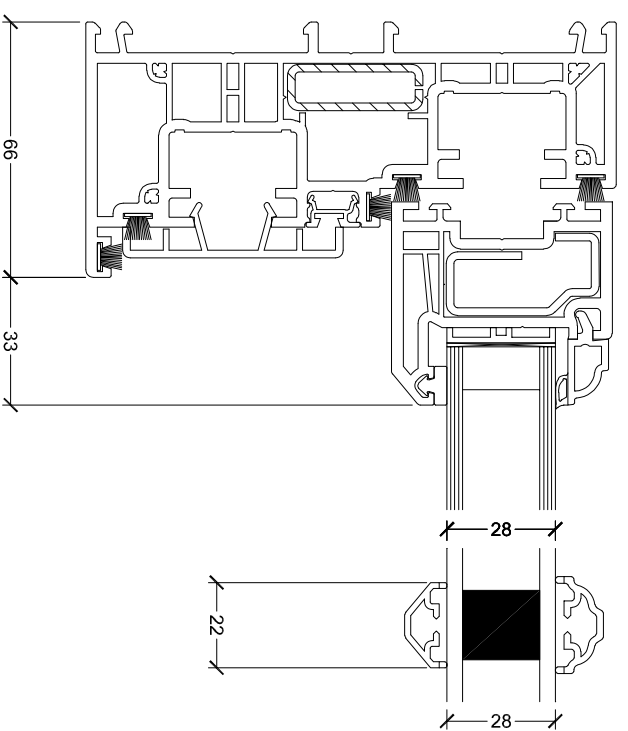
**A-A**  
Section Detail  
Scale 1:1



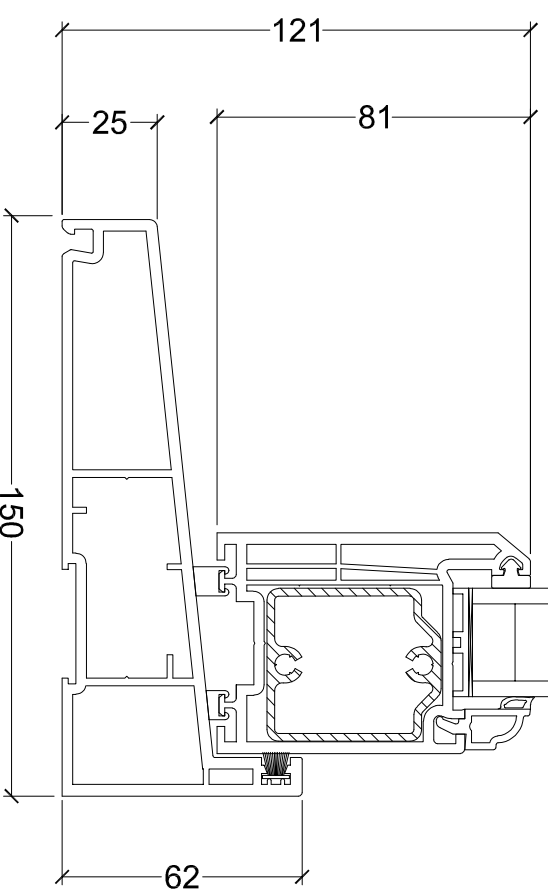
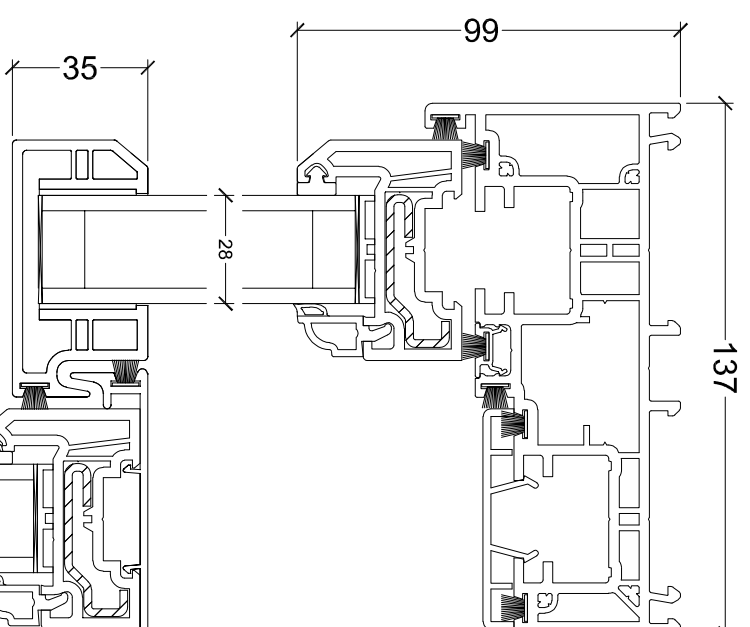
**B-B**  
Section Detail  
Scale 1:1



**D-D**  
Section Detail  
Scale 1:1



**E-E**  
Section Detail  
Scale 1:1



**C-C**  
Section Detail  
Scale 1:1

PROJECT  
Bravington Road &  
Chippenham Road  
Window Refurbishment

DRAWN BY		S. J. Hollifield	
DATE	28-01-21	SCALE	1:1
DWG No.	ROSE-059	SHEET No.	S1
PROJECT		PROJ	
Bravington Road & Chippenham Road Window Refurbishment		A1	

TITLE  
Sections A-A to E-E

REV.	AMENDMENTS/NOTES

Roseview Windows  
35 Salsbrook Road,  
Olney, Beds MK46 5EA  
Tel: 01234 71267  
Web: www.roseview.co.uk



S. J. Hollifield  
Design & Drafting  
23 Mansfield Street  
Stooken-On-Tees  
TS18 1JT  
Tel: 07782 187169  
email: s.hollifield@nitworld.com