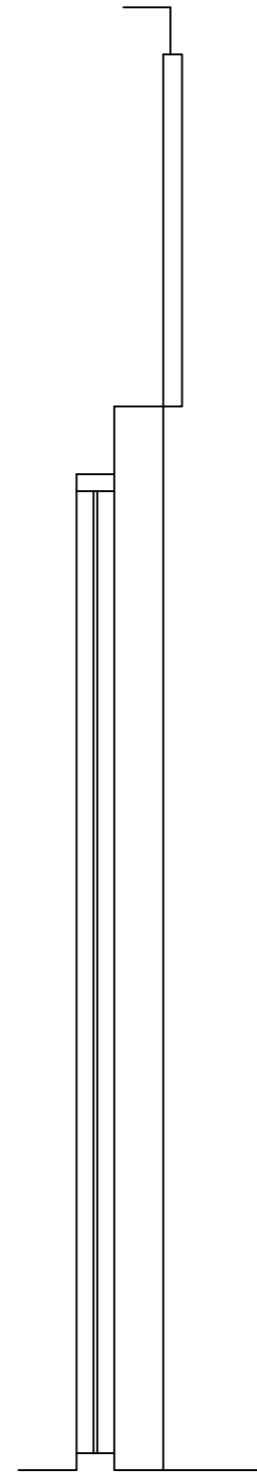




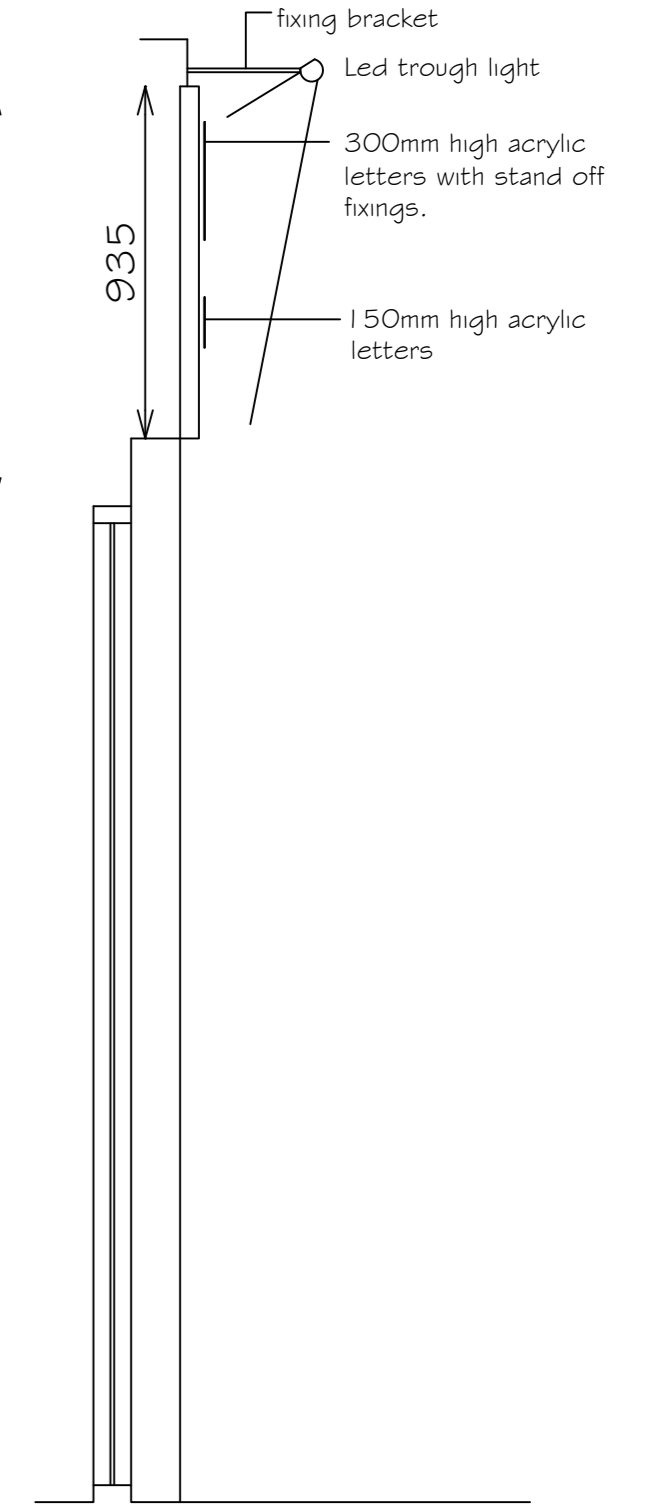
SHOPFRONT ELEVATION AS EXISTING



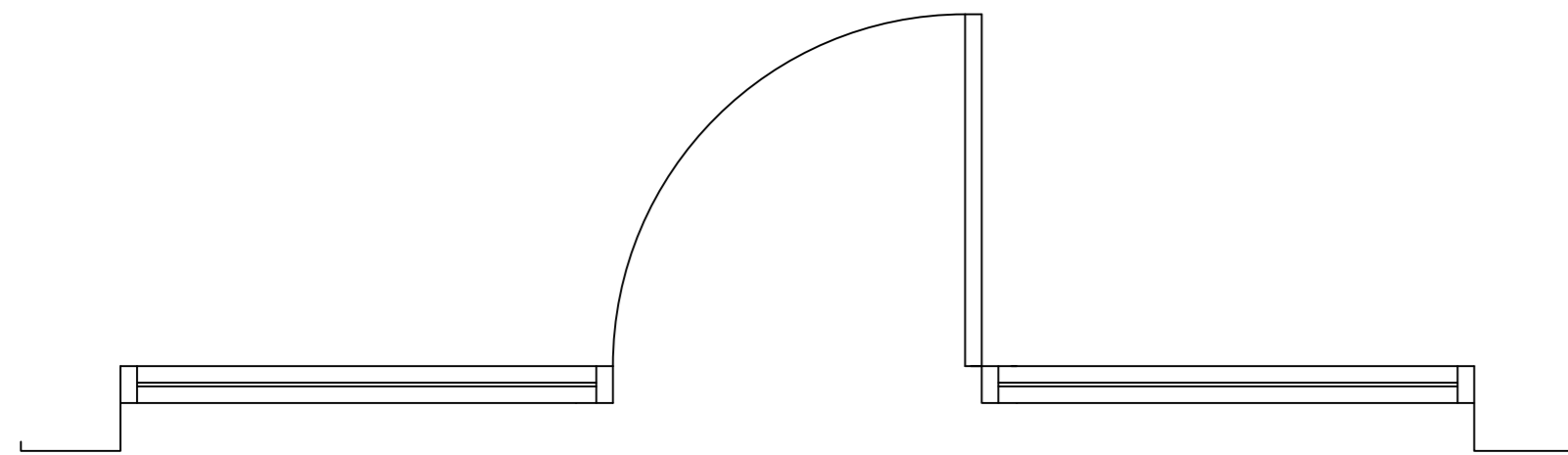
SECTION AS EXISTING



SHOPFRONT ELEVATION AS PROPOSED



SECTION AS PROPOSED



SHOPFRONT PLAN AS EXISTING




**QUINN McMAHON DESIGN**  
 34 Woodcroft Avenue  
 Broomhill  
 Glasgow G11 7JA  
 tel: 0141 339 3770  
 email: qmdesign@tiscali.co.uk

|          |   |                       |
|----------|---|-----------------------|
| project  | PROPOSED FASCIA SIGN<br>685 CLARKSTON ROAD<br>GLASGOW G44 3SE<br><br>FOR DOUGH BALLS (GLASGOW) LTD. |                       |
| title    | ELEVATIONS AS EXISTING & PROPOSED   |                       |
| date     | FEB. 2021   | scale<br>1:20. on A2. |
| drwg no. | QM.671.002  | rev                   |