

Aluminium composite sign  
1000 x 1000mm with vinyl graphics

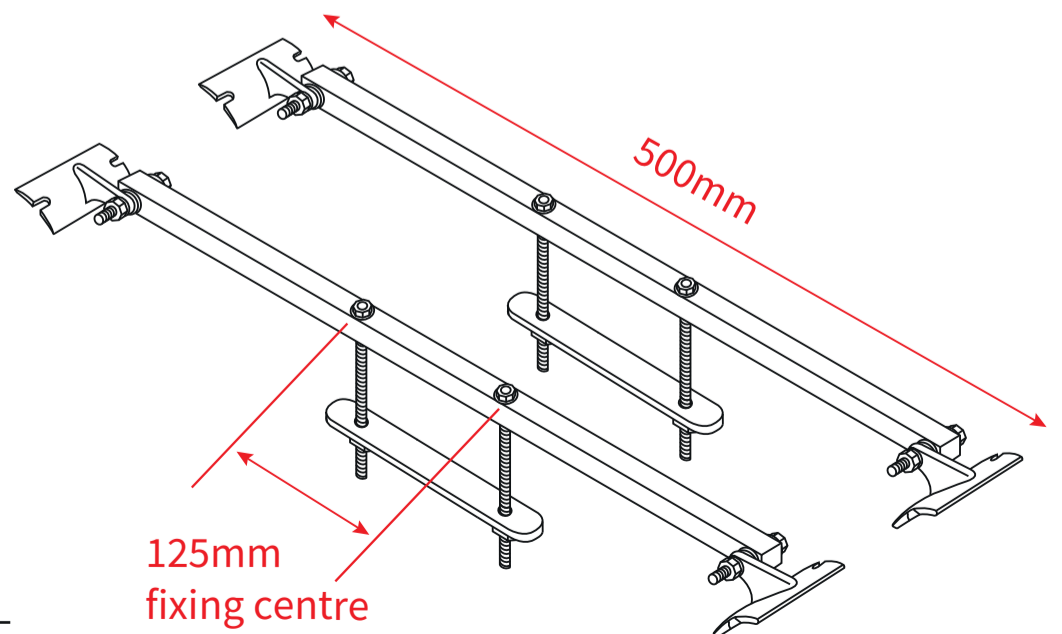
40 x 80mm Box section steel  
frame work

80 x 80mm Box section  
steel post

2100 mm  
from sign to floor

### Pictorial bracket set

Ideal for back to back signs



125mm  
fixing centre

500mm