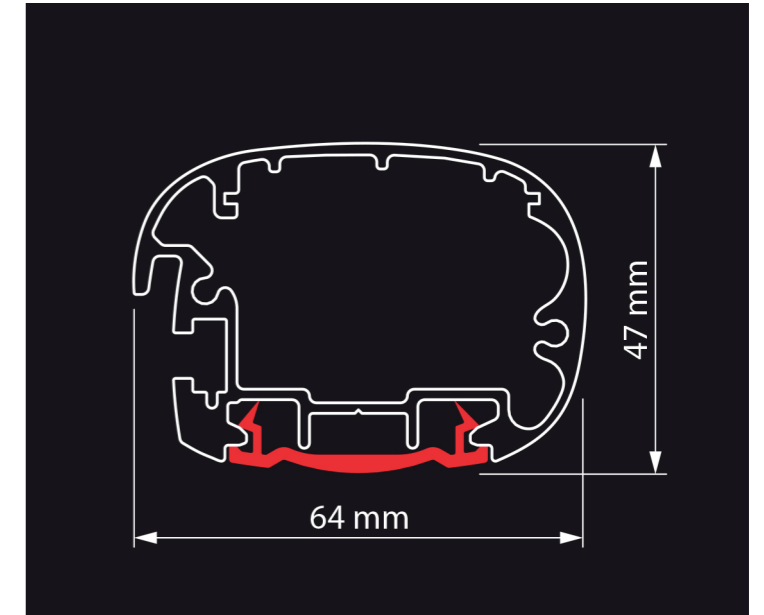




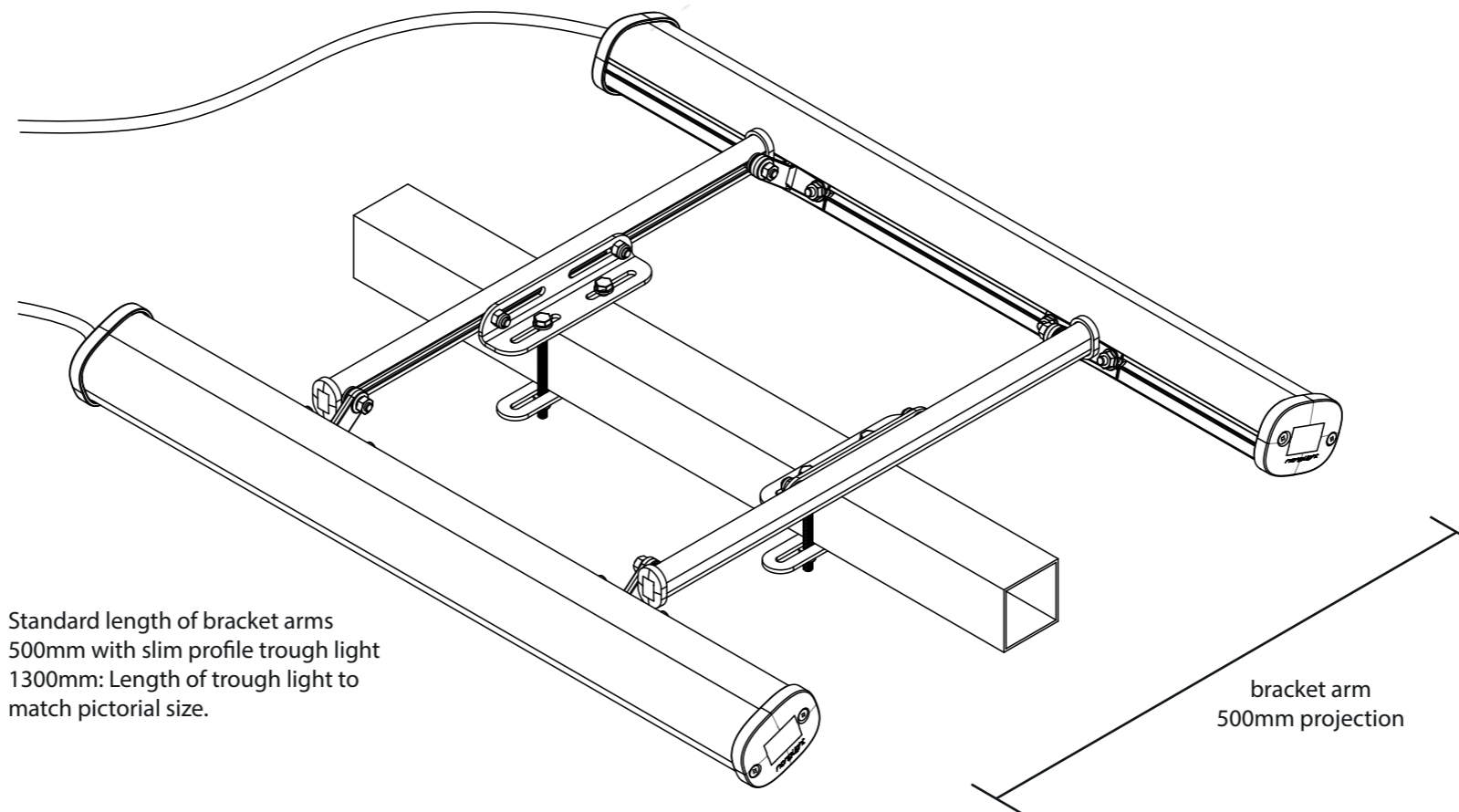
Technical Specification:

- Slim 45mm aluminium profile
- Dust and water tight - sealed to IP66
- Length: Any size to nearest millimeter (300mm minimum - 6100mm maximum per section)
- Magnifying lens with built in gasket
- Internal Tridonic LED drivers
- 2185 Lumens per metre light output
- 11.5 watts per metre
- Quick-fix brackets
- 2 part fully sealed middle connector system
- 5 year parts warranty
- Conforms to EN65958 electrical safety requirements and tested by Nemko Ltd



Trough light has slimmer profile design compared to existing

Finished in black RAL 9005



Standard length of bracket arms
500mm with slim profile trough light
1300mm: Length of trough light to
match pictorial size.

bracket arm
500mm projection

JOB NAME
TRUE PHYSIO

JOB NO.
20190507

DATE
21st December 2020

DRAWN BY
Andrew Norse

SITE ADDRESS
Stalbridge

Tel: 01254 580166 or email: info@parkinsonsigns.com - 12 Chapel Street, Blackburn, Lancashire BB2 2EH