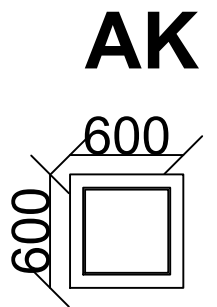
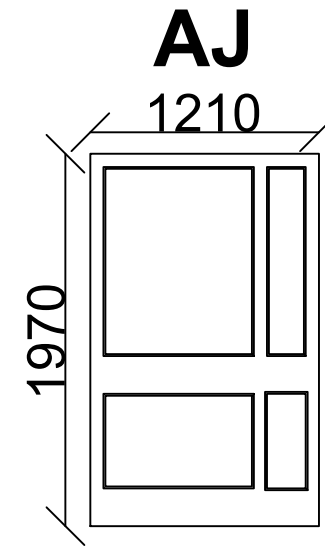
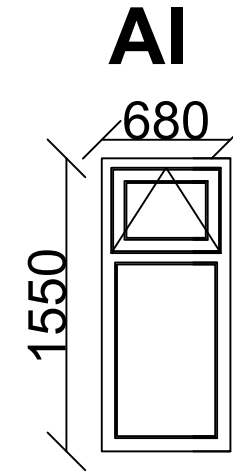
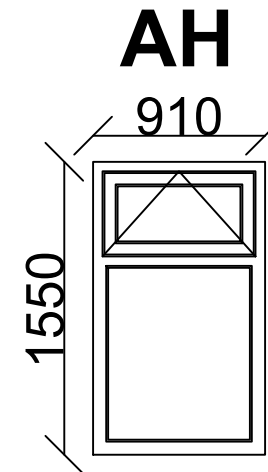
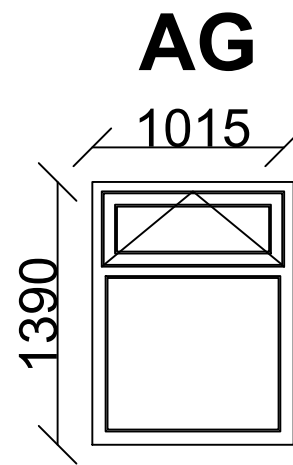
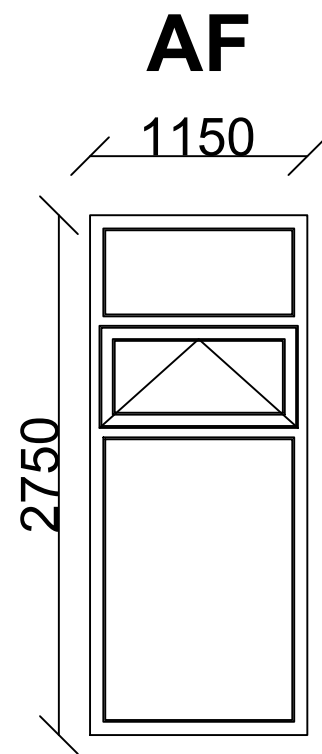
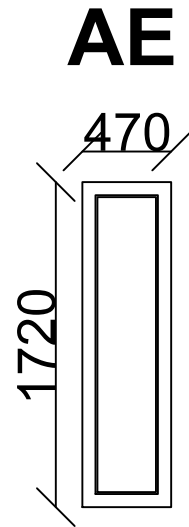
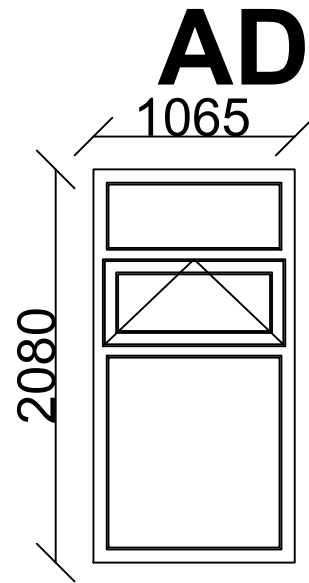
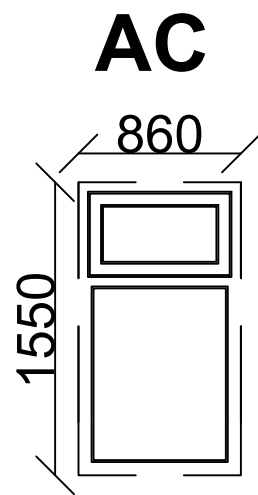
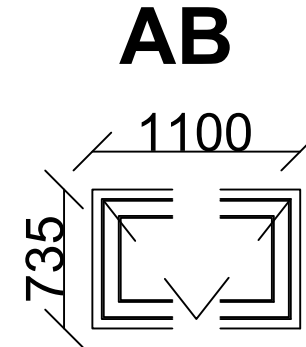
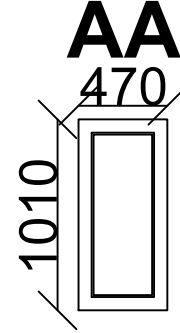
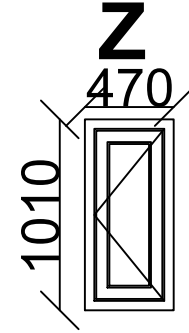
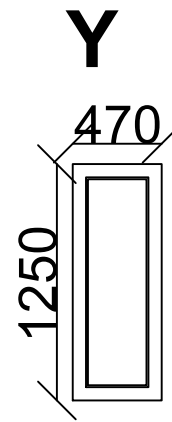
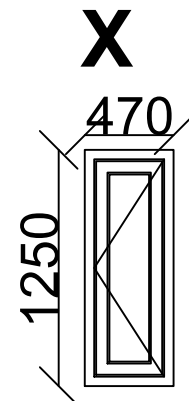
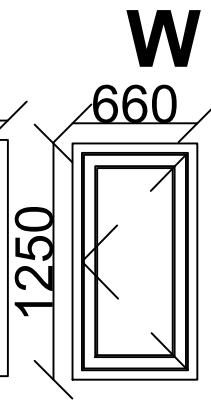
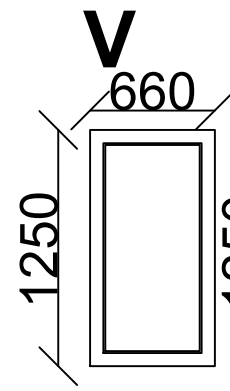
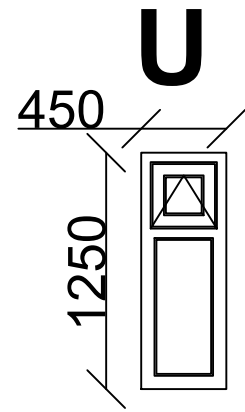
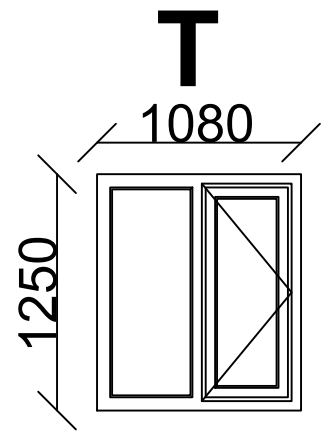


All new window frames - on both levels of the scheme - must have permanent lockable restrictors fitted ("Jaclock" type).

- Existing Jaclock window restrictors can be re-used and installed to the new window frames if these are in good condition.

Issue	Description	Date	BY	Checked	Issue	Description	Date	BY	Checked	Client	ANCHOR HANOVER	Drawing Status	P - Planning T - Tender C - Construction R - As Record	Scale	1: @ A3
A1	DRAWN	21.10.20	SL							Job	THORNTON HILL	PLANNING ISSUE		Note - Prints from PDF files may not be to scale, check accuracy against scale	
										Title	HARDWOOD TIMBER WINDOWS			Job Number	00000000
														Drawing Number	F000001
														Issue	A1





Issue	Description	Date	BY	Checked	Issue	Description	Date	BY	Checked	Client	ANCHOR HANOVER	Drawing Status	P - Planning T - Tender C - Construction R - As Record	Scale	1: @ A3
A1	DRAWN	21.10.20	SL							Job	THORNTON HILL	PLANNING ISSUE		Note - Prints from PDF files may not be to scale, check accuracy against scale	
										Title	HARDWOOD TIMBER WINDOWS			Job Number	00000000
														Drawing Number	F000001
														Issue	A1



WINDOW LOCATION GROUND FLOOR	CODE	INSTALL TELEFLEX
Main Office	1	A1
Reception	2	B2
Telephone Room	3	B3
Dining Room	4,5,6,12	D5 - D12
Flat 15	12	
Flat 16	8,9,9*	
Flat 17	10,10*, 11	
kitchen	15,17	
Office	16,20	
Flat 12	19	
Flat 14	18	
Corridor	21,35	
Flat 11	23,24	
Flat 10	26,27,28	
Flat 9	30,31	
Central office	32	
Lounge	36,37,46	AF36-AF37
Corridor	41,42,43,43,45	
Fire Exit	47	

TIMBER WINDOW TYPES	NUMBER
A	1
B	2
C	3
D	1
E	1
F	1
G	2
H	2
I	1
J	1
K	1
L	1
M	2
N	1
O	4
P	2
Q	1
R	1
S	2
T	1
U	1
V	2
W	1
X	1
Y	2
Z	1
AA	1
AB	1
AC	1
AD	1
AE	5
AF	2
AG	1
AH	2
AI	1
AJ	1
AK	1

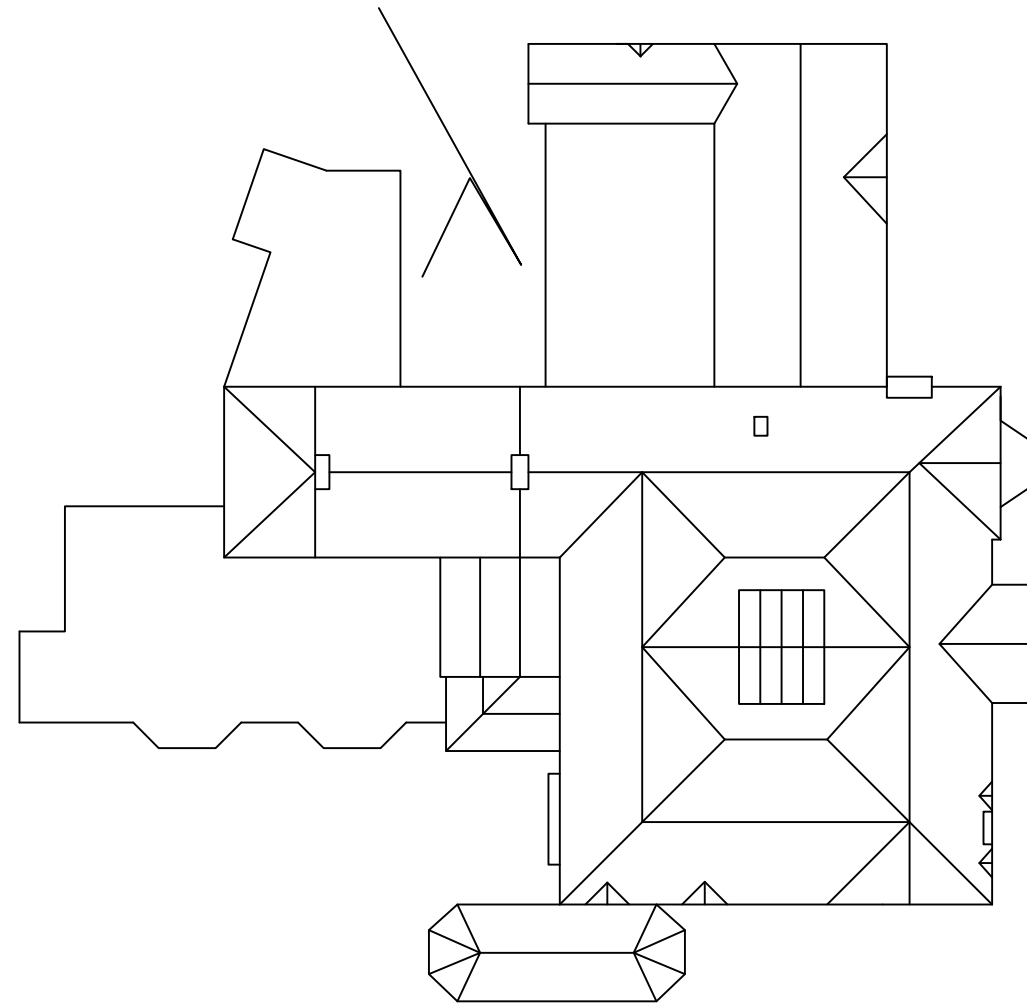
MAIN SCHEME	
WINDOW LOCATION FIRST FLOOR	CODE
Landing	13
Wc	14
Training room	18,19
Corridor	21,39,40,45
Store Room	22,23,25
Guest Room	27,28,29
Store	33
Flat 22	34
Staff Room	38

Issue	Description	Date	BY	Checked	Issue	Description	Date	BY	Checked	Client	ANCHOR HANOVER	Drawing Status	P - Planning T - Tender C - Construction R - As Record	Scale	1: @ A3
A1	DRAWN	21.10.20	SL							Job	THORNTON HILL	PLANNING ISSUE		Note - Prints from PDF files may not be to scale, check accuracy against scale	
										Title	HARDWOOD TIMBER WINDOWS			Job Number	00000000
														Drawing Number	F000001
														Issue	A1



ELEVATION 2


ELEVATION 3



ELEVATION 4

ELEVATION 1

ELEVATION 5

Issue	Description	Date	BY	Checked	Issue	Description	Date	BY	Checked	Client	ANCHOR HANOVER	Drawing Status	Scale	1: @ A3				
A1	DRAWN	21.10.20	SL							Job	THORNTON HILL	P - Planning T - Tender C - Construction R - As Record	Note - Prints from PDF files may not be to scale, check accuracy against scale					
										Title	HARDWOOD TIMBER WINDOWS	PLANNING ISSUE	Job Number	00000000	Drawing Number	F000001	Issue	A1
																	 by people for people®	

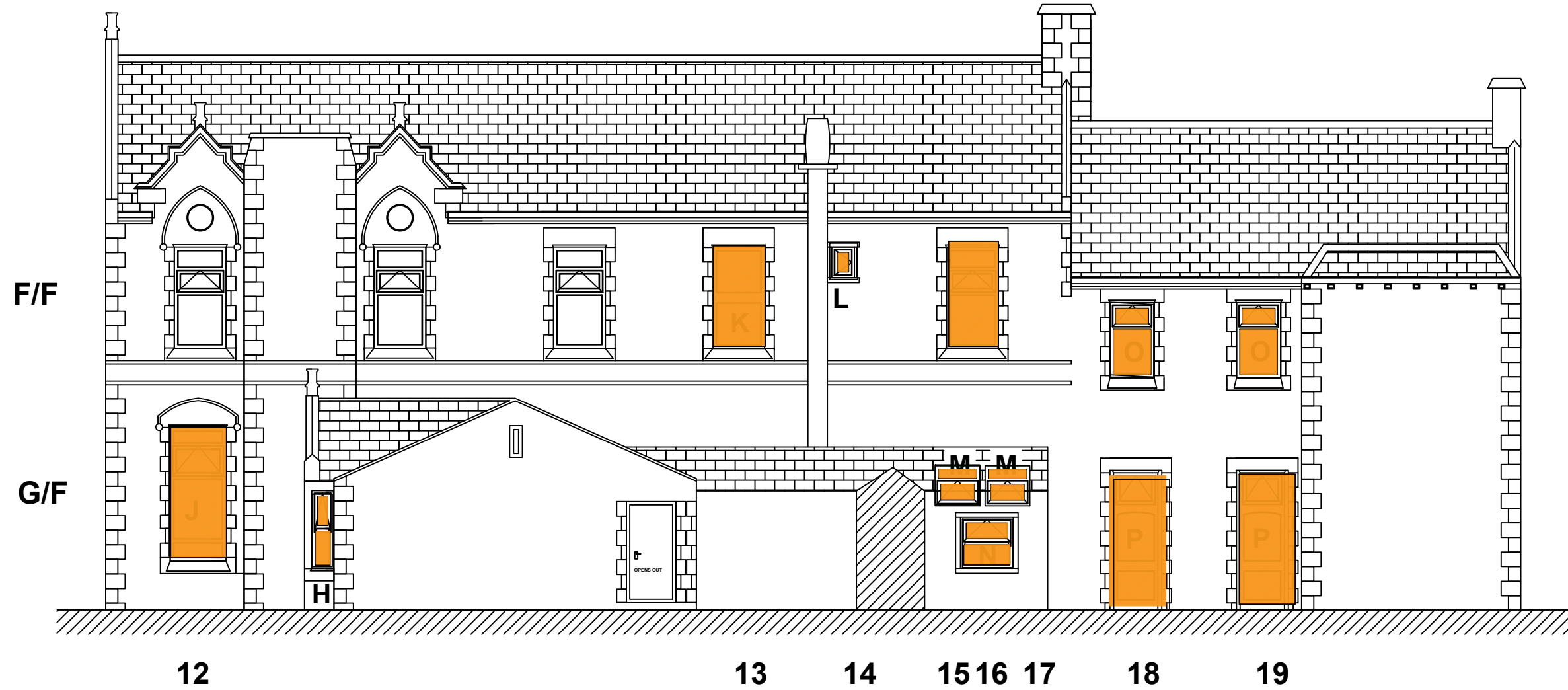
ELEVATION 1



Issue	Description	Date	BY	Checked	Issue	Description	Date	BY	Checked	Client	ANCHOR HANOVER	Drawing Status	Scale	1: @ A3				
A1	DRAWN	21.10.20	SL							Job	THORNTON HILL	P - Planning T - Tender C - Construction R - As Record	Note - Prints from PDF files may not be to scale, check accuracy against scale					
										Title	HARDWOOD TIMBER WINDOWS	PLANNING ISSUE	Job Number	00000000	Drawing Number	F000001	Issue	A1



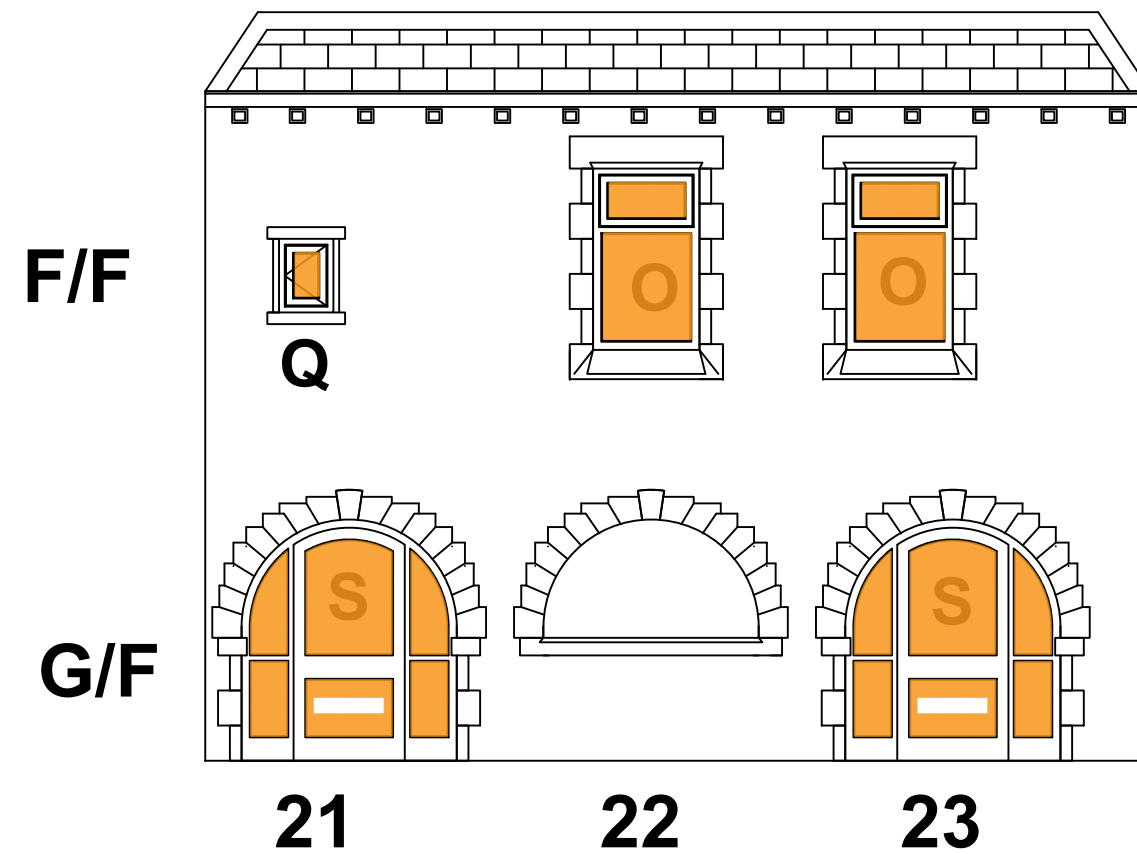
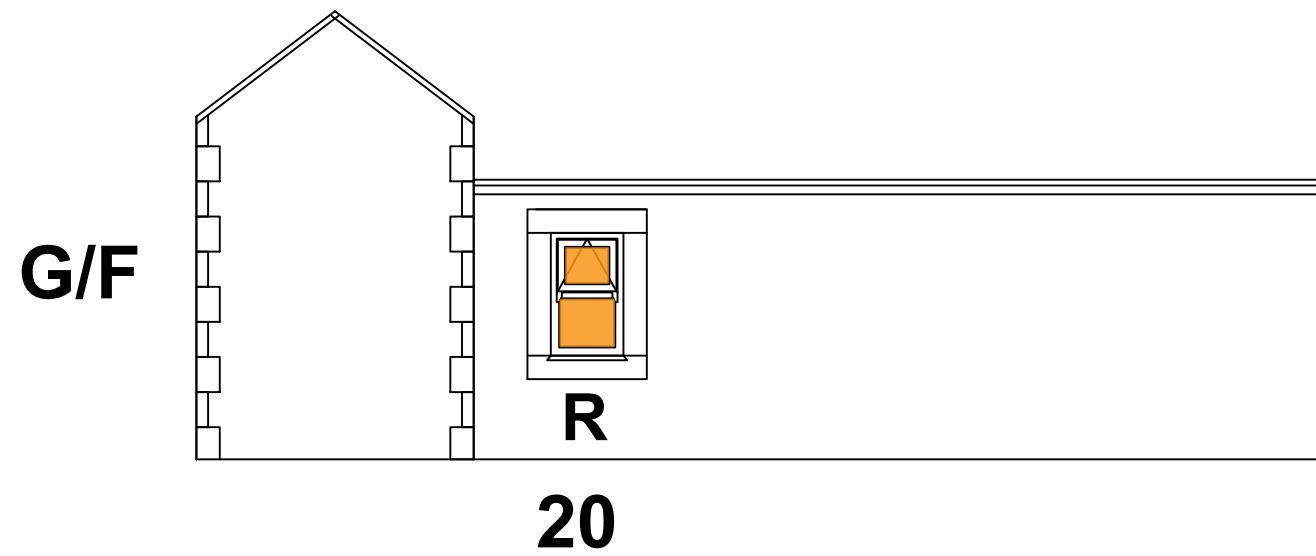
ELEVATION 2




Issue	Description	Date	BY	Checked	Issue	Description	Date	BY	Checked	Client	ANCHOR HANOVER	Drawing Status	Scale	1: @ A3
A1	DRAWN	21.10.20	SL							Job	THORNTON HILL	P - Planning T - Tender C - Construction R - As Record	Note - Prints from PDF files may not be to scale, check accuracy against scale	
										Title	HARDWOOD TIMBER WINDOWS	PLANNING ISSUE	Job Number	00000000
													Drawing Number	F000001
													Issue	A1

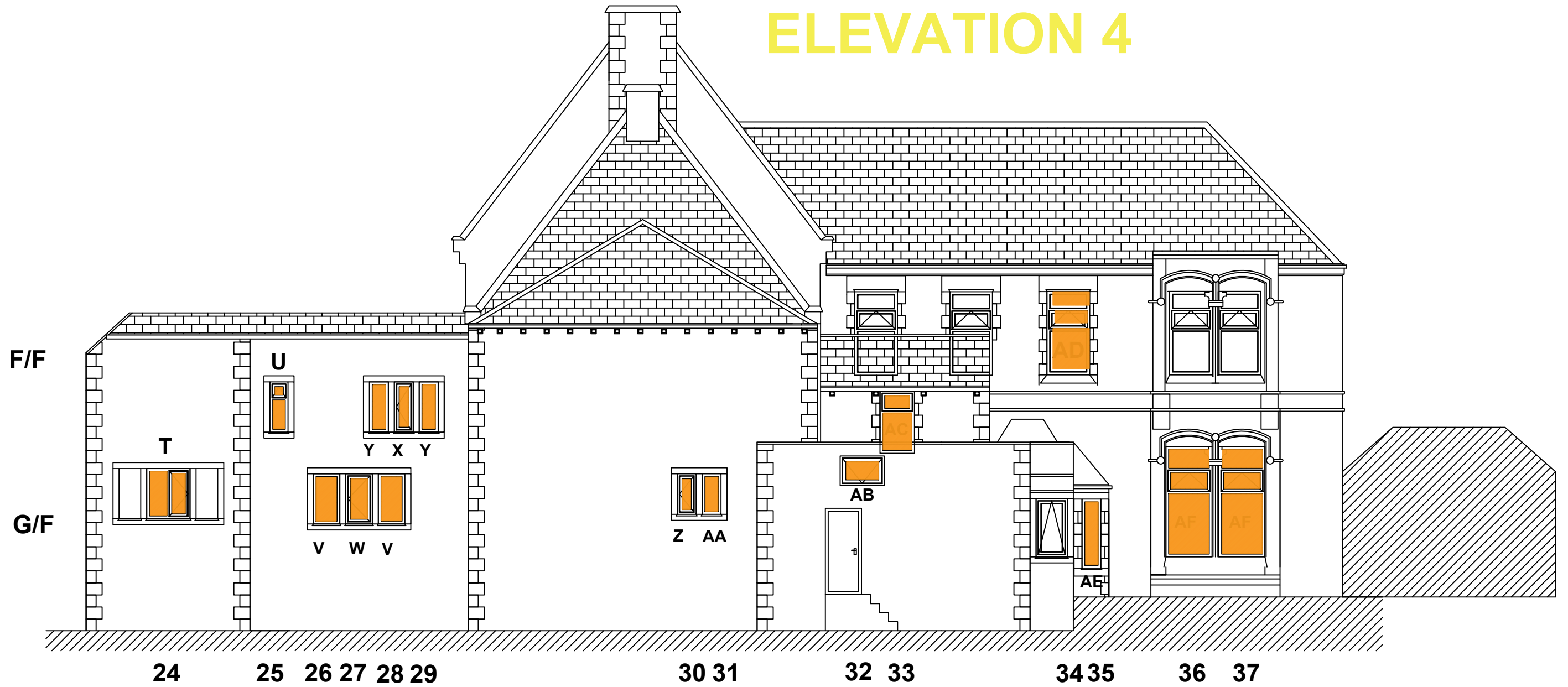


ELEVATION 3



Issue	Description	Date	BY	Checked	Issue	Description	Date	BY	Checked	Client	ANCHOR HANOVER	Drawing Status	Scale	1: @ A3				
A1	DRAWN	21.10.20	SL							Job	THORNTON HILL	P - Planning T - Tender C - Construction R - As Record	Note - Prints from PDF files may not be to scale, check accuracy against scale					
										Title	HARDWOOD TIMBER WINDOWS	PLANNING ISSUE	Job Number	00000000	Drawing Number	F000001	Issue	A1
													 by people for people®					

ELEVATION 4



Issue	Description	Date	BY	Checked	Issue	Description	Date	BY	Checked	Client	ANCHOR HANOVER	Drawing Status	P - Planning T - Tender C - Construction R - As Record	Scale	1: @ A3
A1	DRAWN	21.10.20	SL							Job	THORNTON HILL	PLANNING ISSUE		Note - Prints from PDF files may not be to scale, check accuracy against scale	
										Title	HARDWOOD TIMBER WINDOWS			Job Number	00000000
														Drawing Number	F000001
														Issue	A1



ELEVATION 5



Issue	Description	Date	BY	Checked	Issue	Description	Date	BY	Checked	Client	ANCHOR HANOVER	Drawing Status	P - Planning T - Tender C - Construction R - As Record	Scale	1: @ A3
A1	DRAWN	21.10.20	SL							Job	THORNTON HILL	PLANNING ISSUE		Note - Prints from PDF files may not be to scale, check accuracy against scale	
										Title	HARDWOOD TIMBER WINDOWS			Job Number	00000000
														Drawing Number	F000001
														Issue	A1

