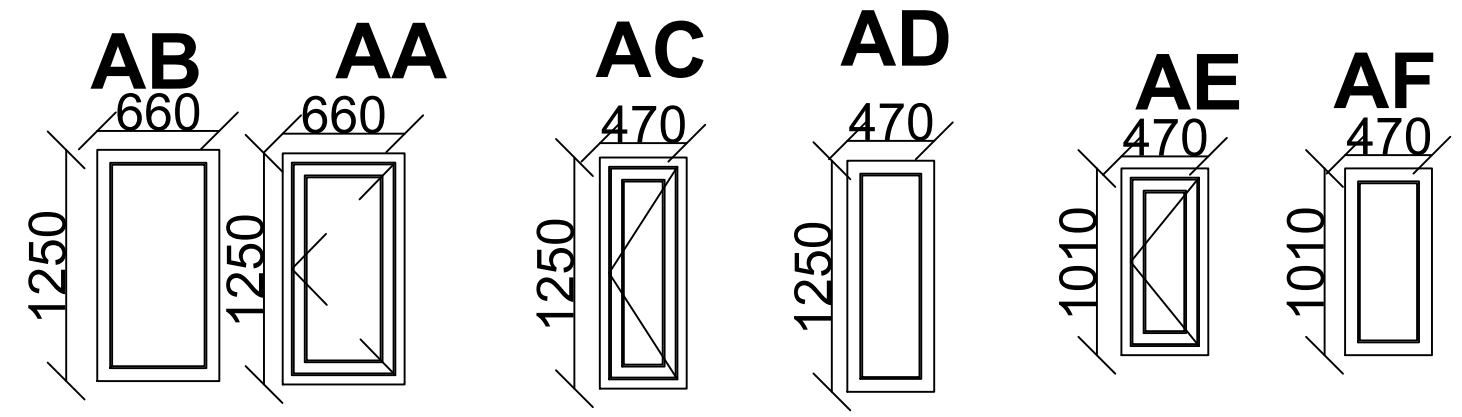
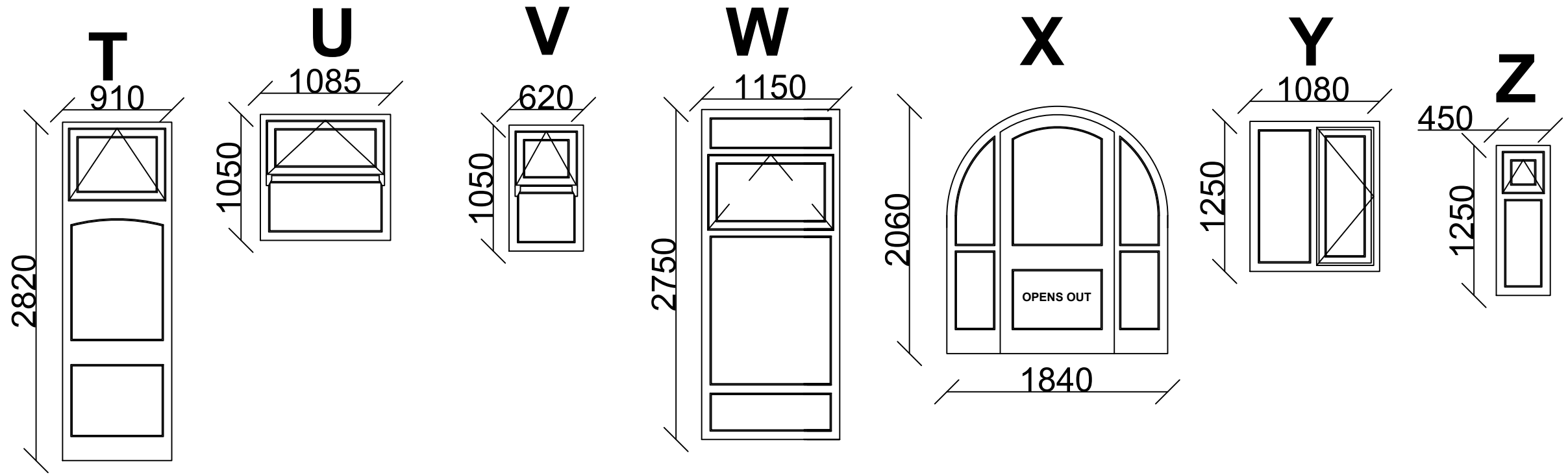


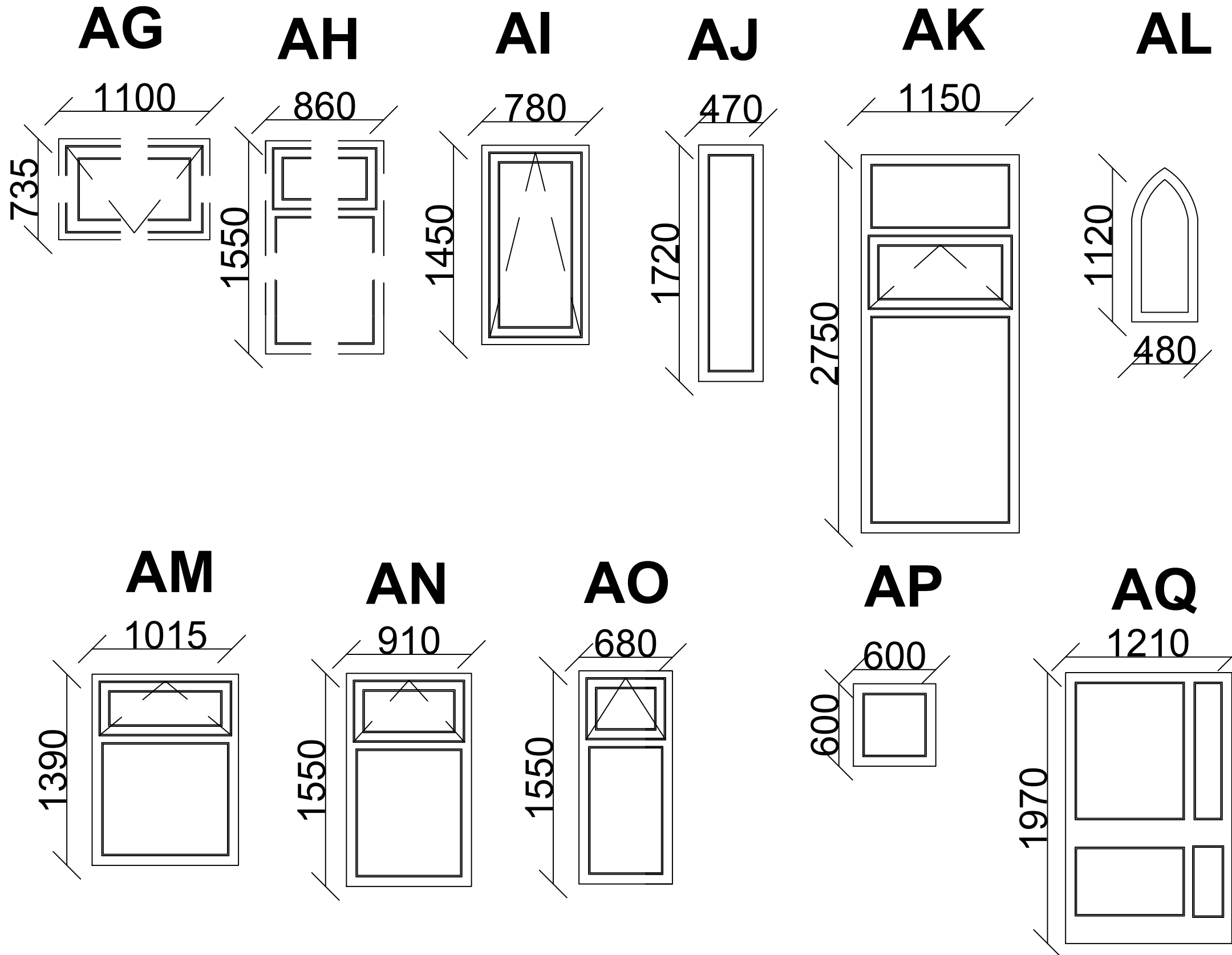
Issue	Description	Date	BY	Checked	Issue	Description	Date	BY	Checked	Client	ANCHOR HANOVER	Drawing Status	P - Planning   T - Tender   C - Construction   R - As Record	Scale	1: @ A3
A1	DRAWN	26.03.19	SL							Job	THORNTON HILL	PLANNING ISSUE		Note - Prints from PDF files may not be to scale, check accuracy against scale	
										Title	WINDOWS			Job Number	00000000
														Drawing Number	F000001
														Issue	A1





Issue	Description	Date	BY	Checked	Issue	Description	Date	BY	Checked	Client	ANCHOR HANOVER	Drawing Status	P - Planning   T - Tender   C - Construction   R - As Record	Scale	1: @ A3
A1	DRAWN	26.03.19	SL							Job	THORNTON HILL	PLANNING ISSUE			
										Title	WINDOWS			Job Number	00000000
														Drawing Number	F000001
														Issue	A1





Issue	Description	Date	BY	Checked	Issue	Description	Date	BY	Checked	Client	ANCHOR HANOVER	Drawing Status	P - Planning   T - Tender   C - Construction   R - As Record	Scale	1: @ A3
A1	DRAWN	26.03.19	SL							Job	THORNTON HILL	PLANNING ISSUE		Note - Prints from PDF files may not be to scale, check accuracy against scale	
										Title	WINDOWS			Job Number	00000000
														Drawing Number	F000001
														Issue	A1



MAIN SCHEME	
FLAT LOCATION GROUND FLOOR	CODE
Main Entrance	69
Telephone Room	6
Reception	3
Main Office	2
Flat 2	1, 67, 68
Fire Exit	66 , 40, 20, 66 Door
Flat 3	65
Sitting Room	64,45, 46
Corridor	60, 61, 62, 63, 44, 70, 28
Flat 4	59
Flat 5	54, 55, 56, 57, 58
Flat 7	50, 51, 52, 53
Flat 8	47, 48, 49
Flat 9	38, 39
Flat 10	34, 35,36
Flat 11	30, 32
Flat 12	27
Flat 14	26
Kitchen	23, 25
Office	24, 31
Flat 15	12
Flat 16	13, 14, 14*
Flat 17	15, 15*, 16
Lounge	7, 9, 11, 17
Central Office	40

MAIN SCHEME	
FLAT LOCATION FIRST FLOOR	CODE
Flat 18	2, 3
Flat 19	1, 67, 68
Flat 20	65,66
Flat 21	64,45,46
Flat 22	42,44,40
Flat 23	24
Flat 24	19
Flat 25	18
Flat 26	17,8,10
Flat 27	4,5,6,69
Corridor staffroom	63,59,57,28 54
Guest Room	35,36,37
Store Room	33,29,30
Training Room	26,27
wc	22
Landing	21

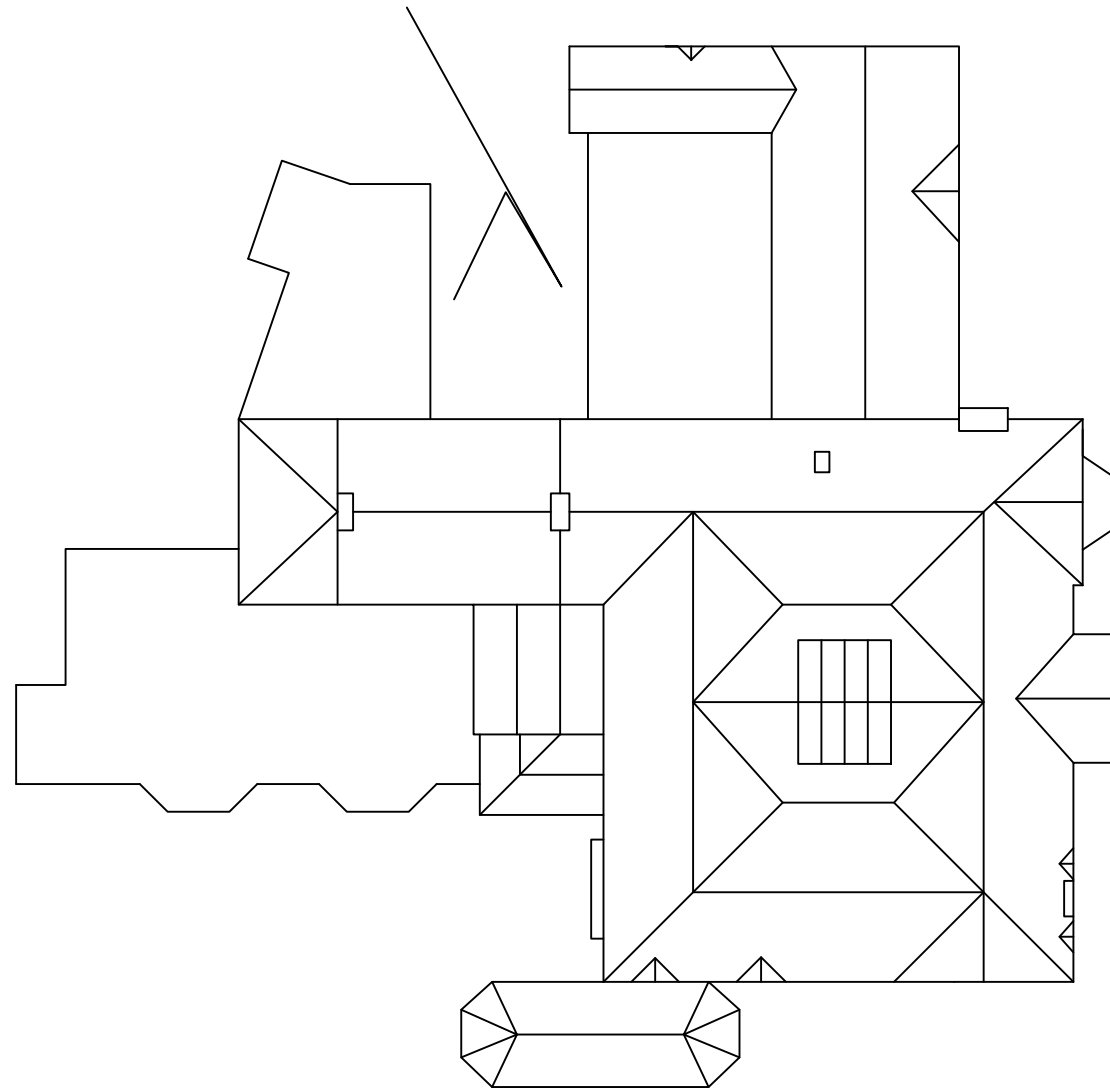
Issue	Description	Date	BY	Checked	Issue	Description	Date	BY	Checked	Client	ANCHOR HANOVER	Drawing Status	Scale	1: @ A3
A1	DRAWN	26.03.19	SL							Job	THORNTON HILL	P - Planning   T - Tender   C - Construction   R - As Record	Note - Prints from PDF files may not be to scale, check accuracy against scale	
										Title	WINDOWS	PLANNING ISSUE	Job Number	00000000
													Drawing Number	F000001
													Issue	A1



# ELEVATION 2

# ELEVATION 3

# ELEVATION 4



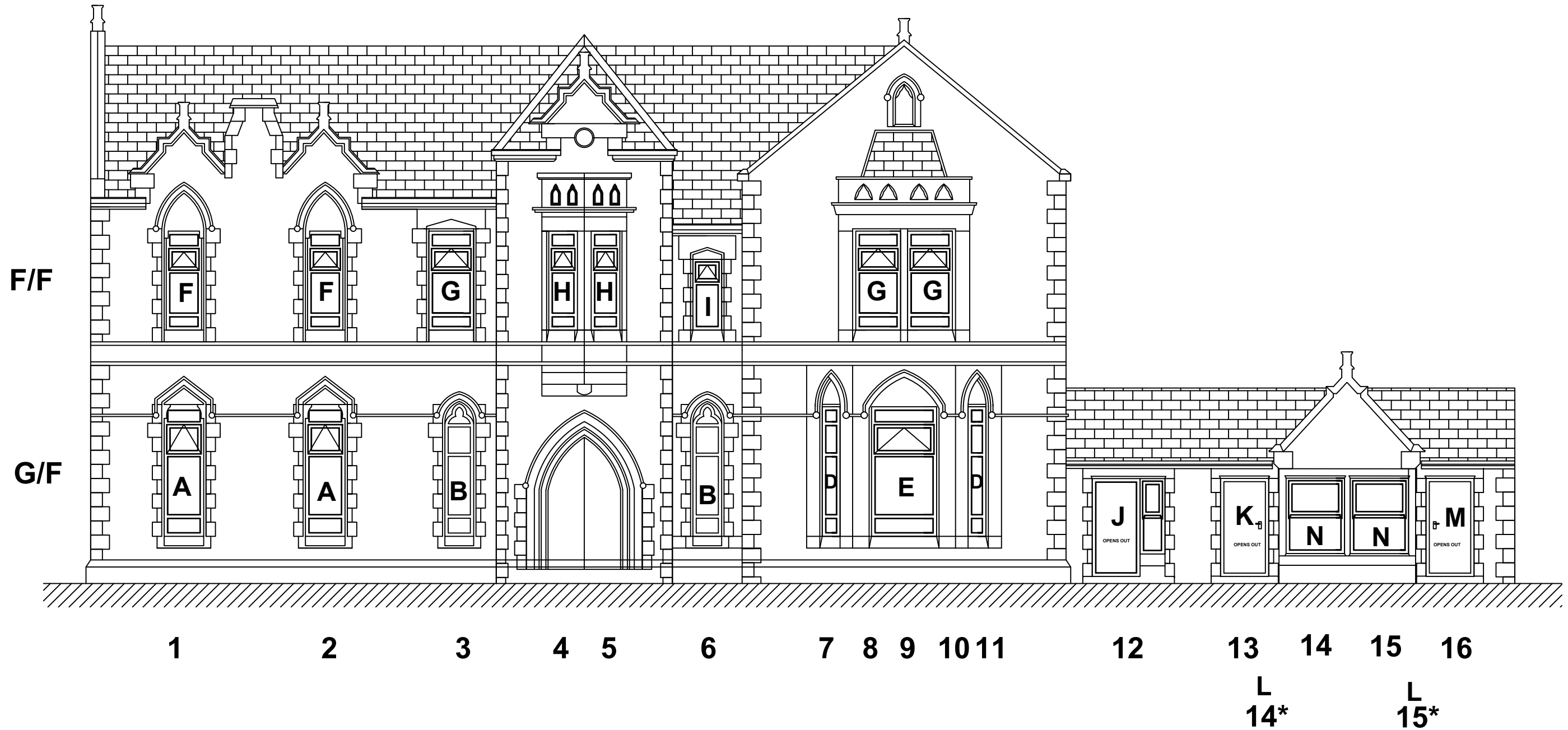
# ELEVATION 1

# ELEVATION 5

Issue	Description	Date	BY	Checked	Issue	Description	Date	BY	Checked	Client	ANCHOR HANOVER	Drawing Status	P - Planning   T - Tender   C - Construction   R - As Record	Scale	1: @ A3
A1	DRAWN	26.03.19	SL							Job	THORNTON HILL	PLANNING ISSUE		Note - Prints from PDF files may not be to scale, check accuracy against scale	
										Title	WINDOWS			Job Number	00000000
														Drawing Number	F000001
														Issue	A1



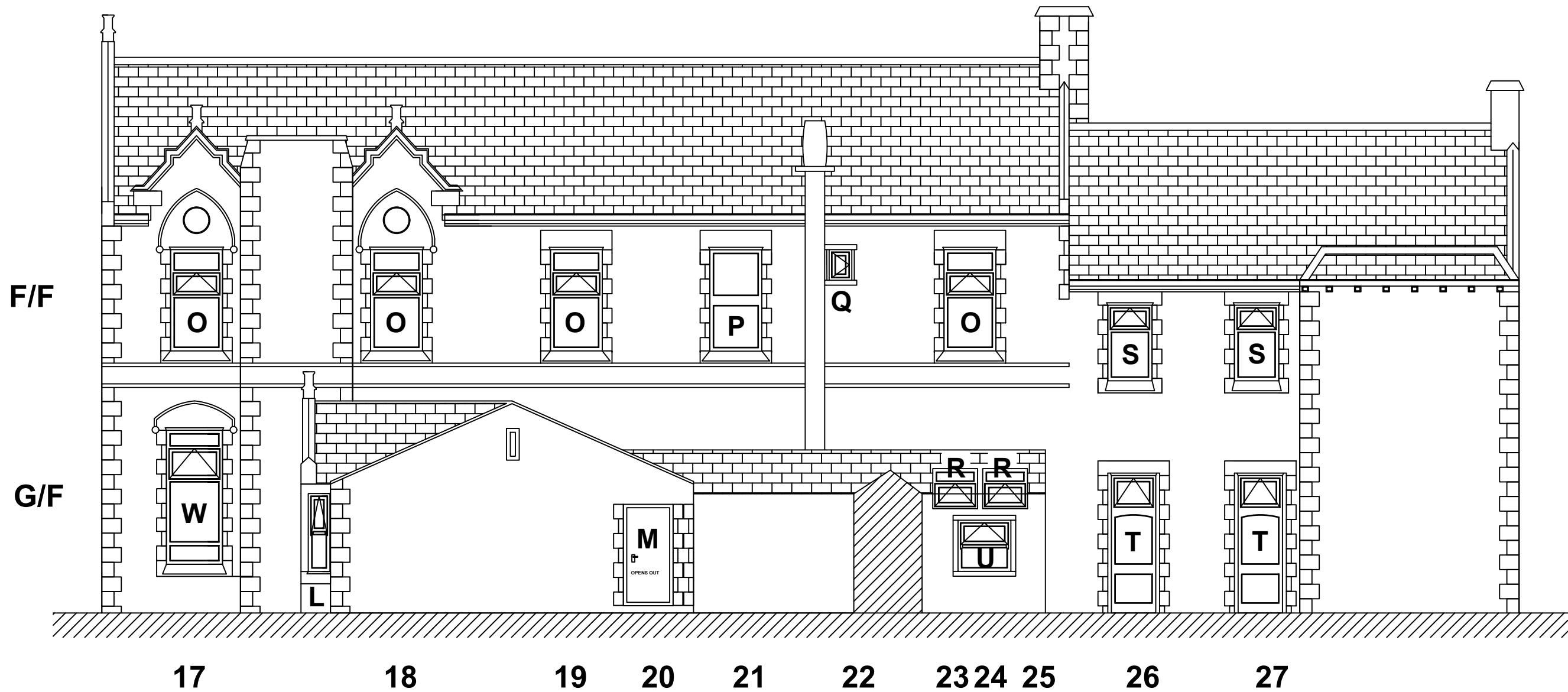
# ELEVATION 1



Issue	Description	Date	BY	Checked	Issue	Description	Date	BY	Checked	Client	ANCHOR HANOVER	Drawing Status	Scale	1: @ A3	
A1	DRAWN	26.03.19	SL							Job	THORNTON HILL	P - Planning   T - Tender   C - Construction   R - As Record	Note - Prints from PDF files may not be to scale, check accuracy against scale		
										Title	WINDOWS	PLANNING ISSUE	Job Number	00000000	
												Drawing Number	F000001	Issue	A1



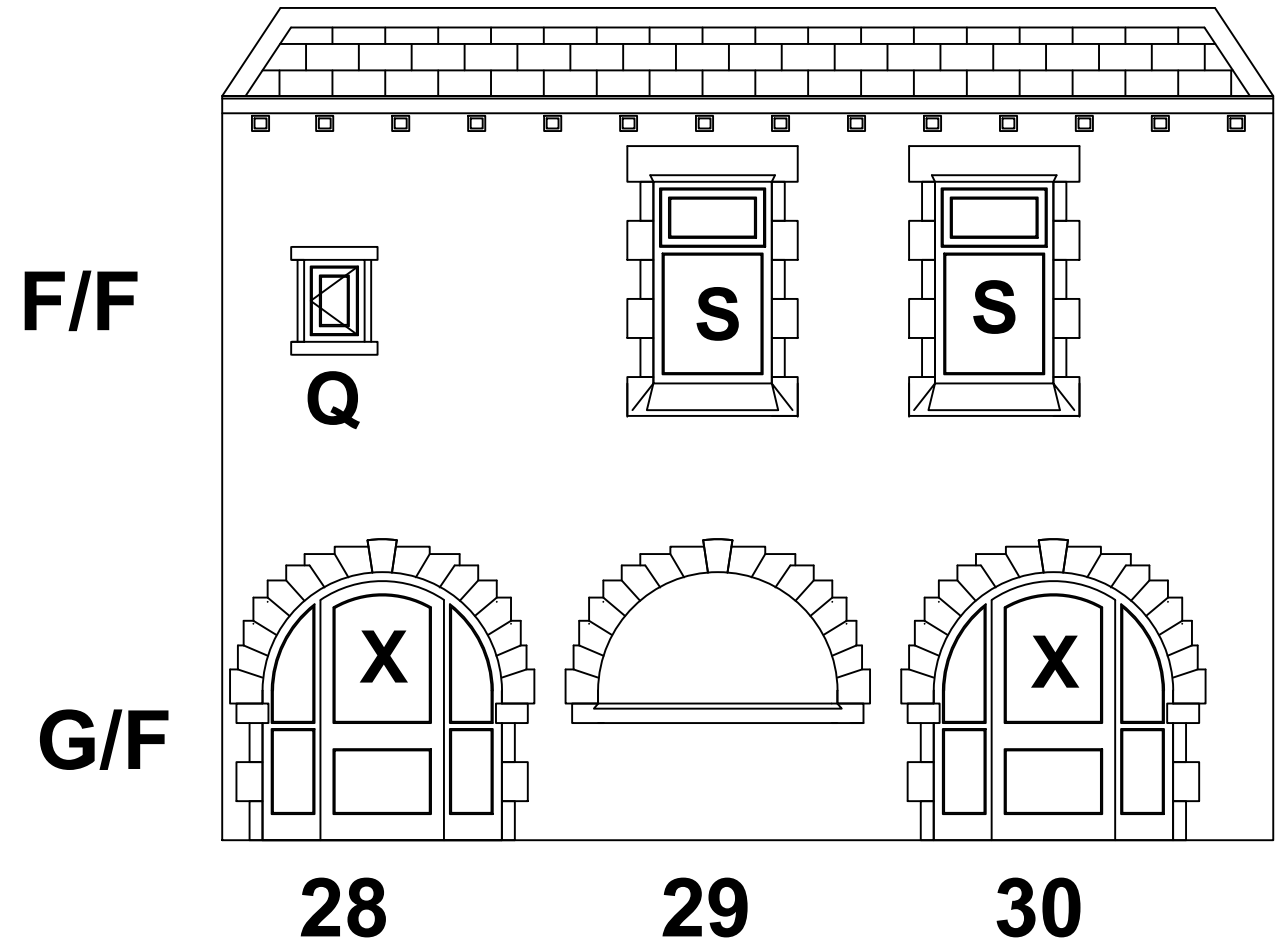
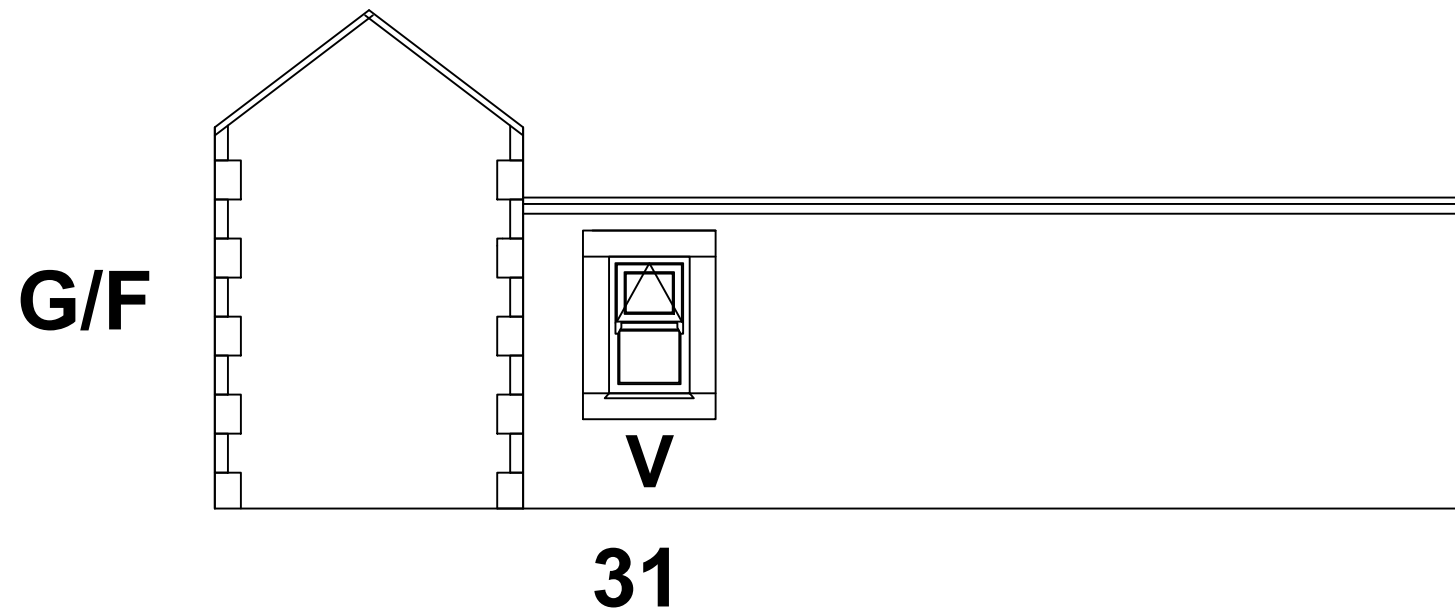
# ELEVATION 2



Issue	Description	Date	BY	Checked	Issue	Description	Date	BY	Checked	Client	ANCHOR HANOVER	Drawing Status	P - Planning   T - Tender   C - Construction   R - As Record	Scale	1: @ A3
A1	DRAWN	26.03.19	SL							Job	THORNTON HILL	PLANNING ISSUE		Note - Prints from PDF files may not be to scale, check accuracy against scale	
										Title	WINDOWS			Job Number	00000000
														Drawing Number	F000001
														Issue	A1



# ELEVATION 3

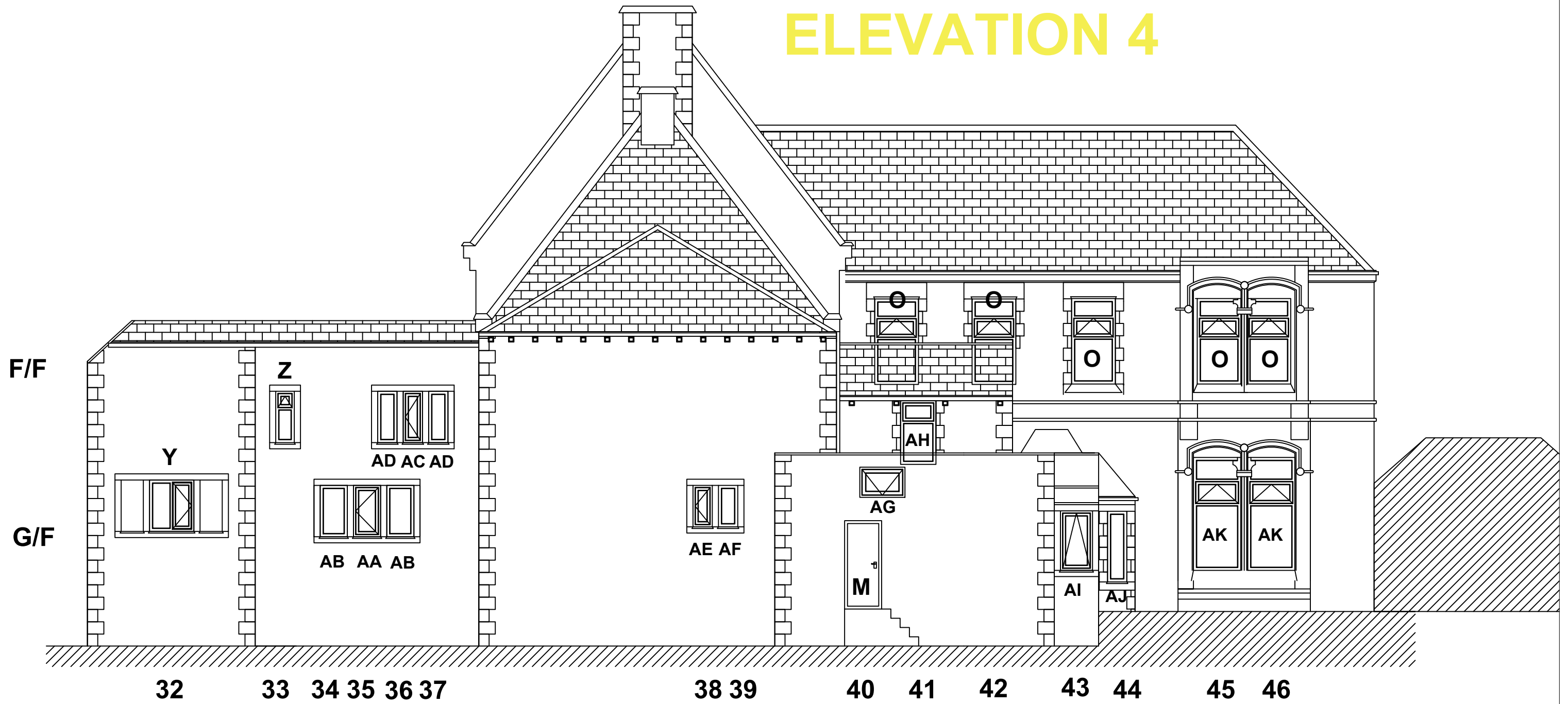


Issue	Description	Date	BY	Checked	Issue	Description	Date	BY	Checked	Client	ANCHOR HANOVER	Drawing Status	Scale	1: @ A3				
A1	DRAWN	26.03.19	SL							Job	THORNTON HILL	P - Planning   T - Tender   C - Construction   R - As Record	Note - Prints from PDF files may not be to scale, check accuracy against scale					
										Title	WINDOWS	PLANNING ISSUE	Job Number	00000000	Drawing Number	F000001	Issue	A1





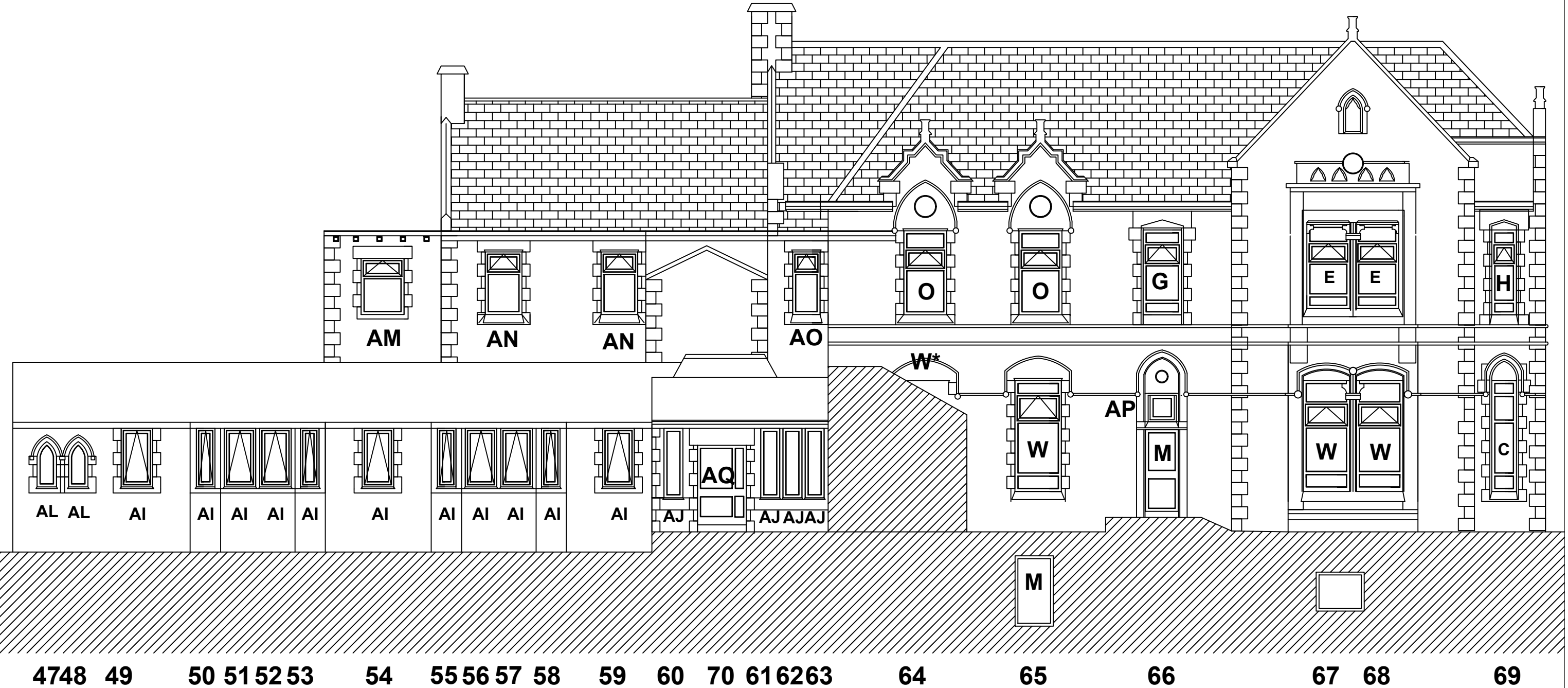
# ELEVATION 4



Issue	Description	Date	BY	Checked	Issue	Description	Date	BY	Checked	Client	ANCHOR HANOVER	Drawing Status	P - Planning   T - Tender   C - Construction   R - As Record	Scale	1: @ A3
A1	DRAWN	26.03.19	SL							Job	THORNTON HILL	PLANNING ISSUE		Note - Prints from PDF files may not be to scale, check accuracy against scale	
										Title	WINDOWS			Job Number	00000000
														Drawing Number	F000001
														Issue	A1



# ELEVATION 5



Issue	Description	Date	BY	Checked	Issue	Description	Date	BY	Checked	Client	Drawing Status	Scale
A1	DRAWN	26.03.19	SL							ANCHOR HANOVER	P - Planning   T - Tender   C - Construction   R - As Record	1: @ A3
										THORNTON HILL	PLANNING ISSUE	Note - Prints from PDF files may not be to scale, check accuracy against scale
										WINDOWS		Job Number 00000000
												Drawing Number F000001
												Issue A1

