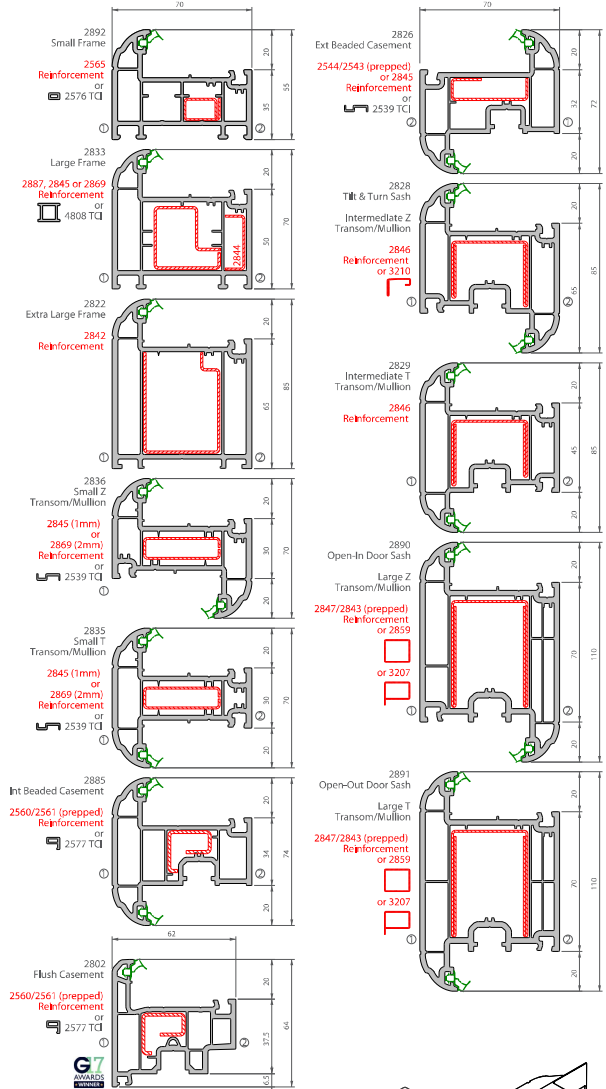
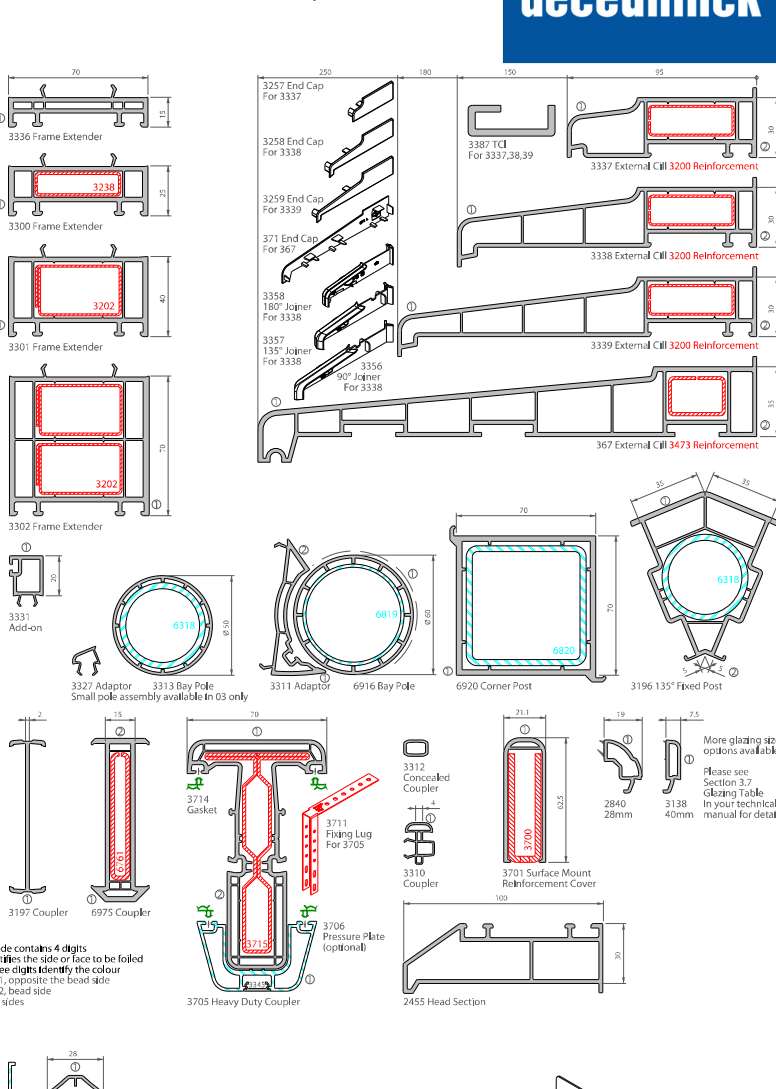


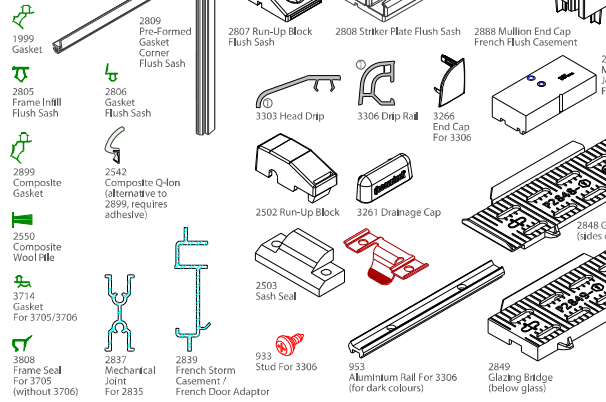
Main Frame



Cills, Frame Extenders, Couplers

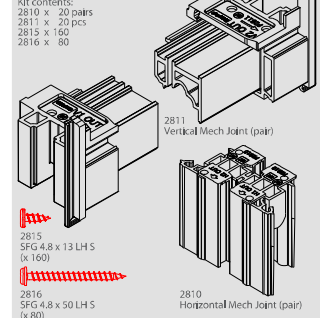


Ancillaries

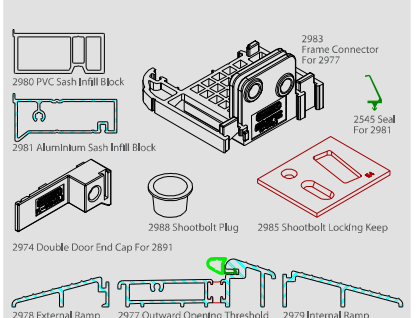


Foil Codes
Each colour code contains 4 digits
First digit identifies the side or face to be foiled
Remaining three digits identify the colour
① Foil to side 1, opposite the bead side
② Foil to side 2, bead side
③ Foil to both sides

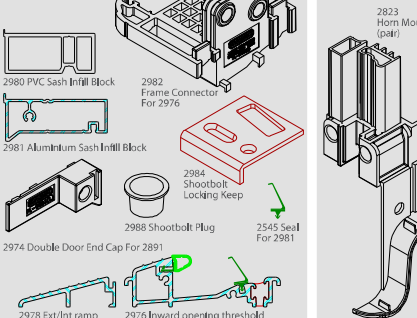
Flush Sash Mechanical Joint Kit



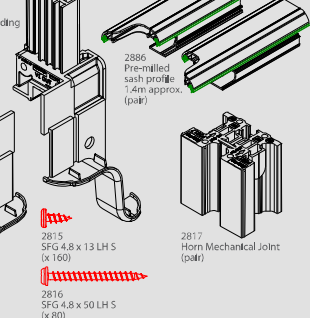
Open-Out Low Threshold



Open-In Low Threshold



Sash Horn



Standard Foils	Heritage Foils
1010 White PVC	1665/1080 White PVC
1096 Clear Glass	108/1080 White PVC
1106 Green Glass	1040/080 White PVC
1145 Blue Glass	1012/1080 White PVC
1110 White PVC	1020/1000 White PVC
1111 White PVC	1020/1086 White PVC
1154 White PVC	1080/1020 White PVC
1072 White PVC	1080/1080 White PVC
1012 White PVC	
3010 White PVC	
3096 Clear Glass	
3106 Green Glass	
3143 Blue Glass	
3110 White PVC	
3111 White PVC	
3154 White PVC	
3072 White PVC	
3012 White PVC	
3180 White PVC	
Combined covers 3325, 3326, 3327, 3328, 3329, 3330, 3331, 3332, 3333, 3334, 3335, 3336, 3337, 3338, 3339, 3340, 3341, 3342, 3343, 3344, 3345, 3346, 3347, 3348, 3349, 3350, 3351, 3352, 3353, 3354, 3355, 3356, 3357, 3358, 3359, 3360, 3361, 3362, 3363, 3364, 3365, 3366, 3367, 3368, 3369, 3370, 3371, 3372, 3373, 3374, 3375, 3376, 3377, 3378, 3379, 3380	