

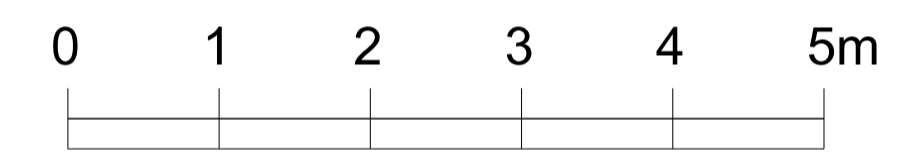
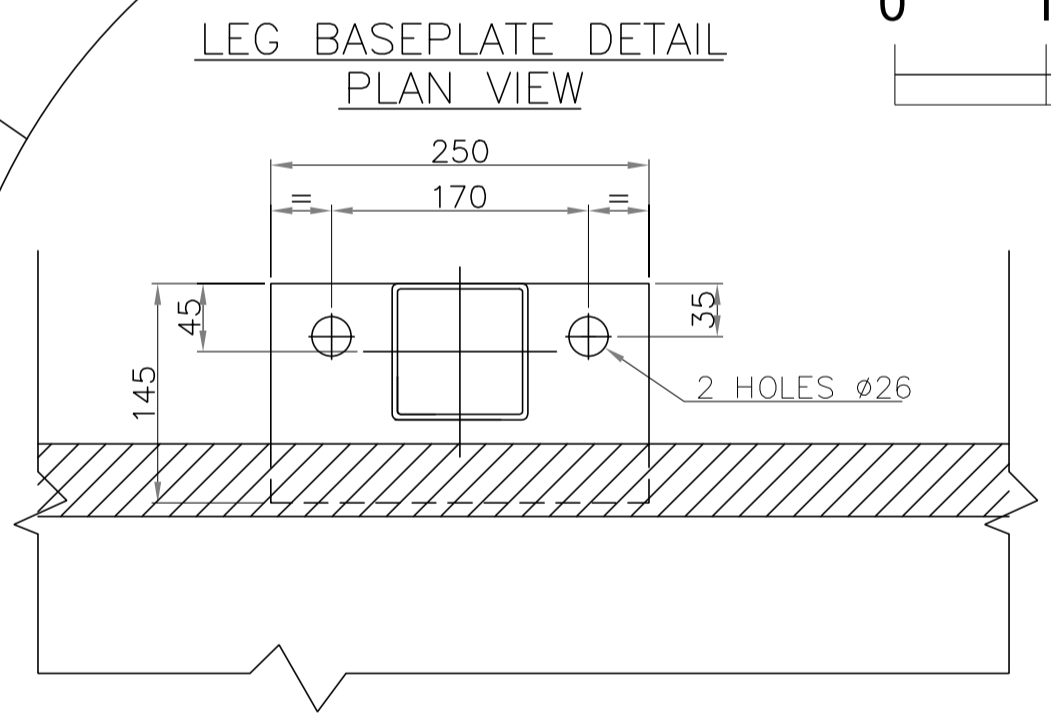
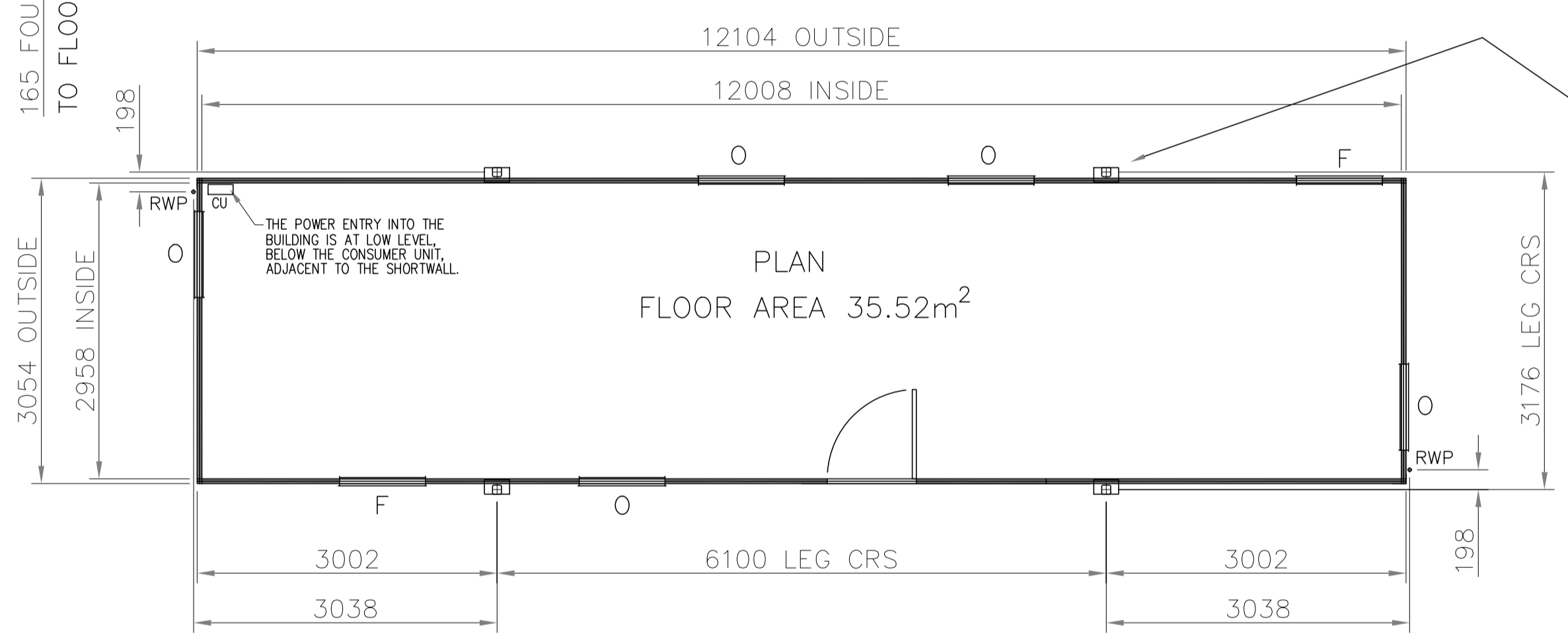
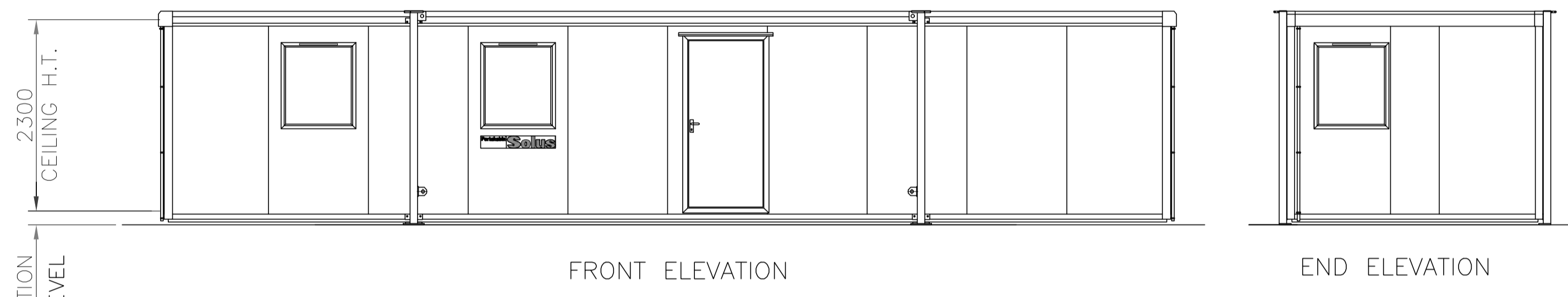
\* NOTE O/ALL WIDTH FOR CONTINENTAL EUROPEAN BUILDINGS

© Portakabin Limited 2007  
 This drawing is the property of Portakabin Limited, it must not be copied or reproduced or divulged to anyone without written permission.  
 Rev. Date By

DOOR & WINDOW POSITIONS MAY BE DIFFERENT TO THOSE SHOWN ON SPECIFIC CONTRACT DRAWINGS

**STANDARD COLOURS**

- External : Wall Cladding, - Sales & Scottish Divisions - Albatross nearest BS ref. 18 B 17  
 Fascia, Corner & Hire & European Divisions - Goosewing Grey nearest Bottom Wall Trims BS ref. 10 A 05  
 Door leaf - Sales & Scottish Divisions - Britannia Blue nearest BS ref. 18 E 58  
 - Hire - Merlin Grey nearest BS ref. 18 B 25  
 - Portaloo & Events - Poppy Red nearest BS ref. 04 E 53  
 - European Division - Goosewing Grey nearest BS ref. 10 A 05  
 - Silver Anodised Aluminium.  
 Door Frame - Manhattan Grey NCS S 2502-Y RAL-DS 080 70 05.  
 Door Furniture - Sales & Scottish Divisions - Britannia Blue nearest BS ref. 18 E 58  
 - Hire - Grey nearest RAL 7042  
 - Portaloo & Events - Blue Grey nearest BS ref. 18 B 29  
 - European Divisions - Blue nearest RAL 5011  
 Windows - White nearest BS ref. 00 E 55  
 - Grey to BS4800 ref. 10 A 05  
 - Hot dipped galvanised



- KEY**  
 O OPEN WINDOW  
 F FIXED WINDOW  
 RWP RAIN WATER PIPE  
 CU CONSUMER UNIT

**FOUNDATIONS**  
 Simple foundations of level hardstandings are required to be capable of taking the foundation design load at each foot position of 42kN, which includes the dead weight of the building, imposed floor load of 3kN/m<sup>2</sup>, imposed roof load of 0.75kN/m<sup>2</sup>, and a basic wind speed to meet the requirements of BS6399: Part 2.  
 The foundations are to designed in accordance with BS8004 with level tops of a tolerance of ±3mm.  
 The area of ground under the building, plus a surrounding 500mm must be no higher than 50mm below the tops of the building foundations.

All buildings are to be anchored to the foundations via the baseplate using M20 anchor bolts, unless it can be established that no climatic or other forces are likely to be applied so as to exceed the intrinsic stability of the building in its unloaded state.  
 All Lodastrut legs should be fully retracted onto the safety stops with the leg pins fitted through the outer legs and secured by the locking cotter.  
 It is recommended that professional advice is obtained for the design of the foundations.

Portakabin Limited Huntington York YO32 9PT  
 Telephone 01904 611655 Fax 01904 611644

Project **PORTAKABIN SOLUS**

Client **Portakabin®**

Title **SPECIFICATION DRAWING SL122 LODASTRUUT LEG OPTION**

Date 2.10.07 Drawn R.SCHOFIELD

Scale 1:5 & 1:50 @A1

Drng. No. 6981.101 Rev. DQ2697 C