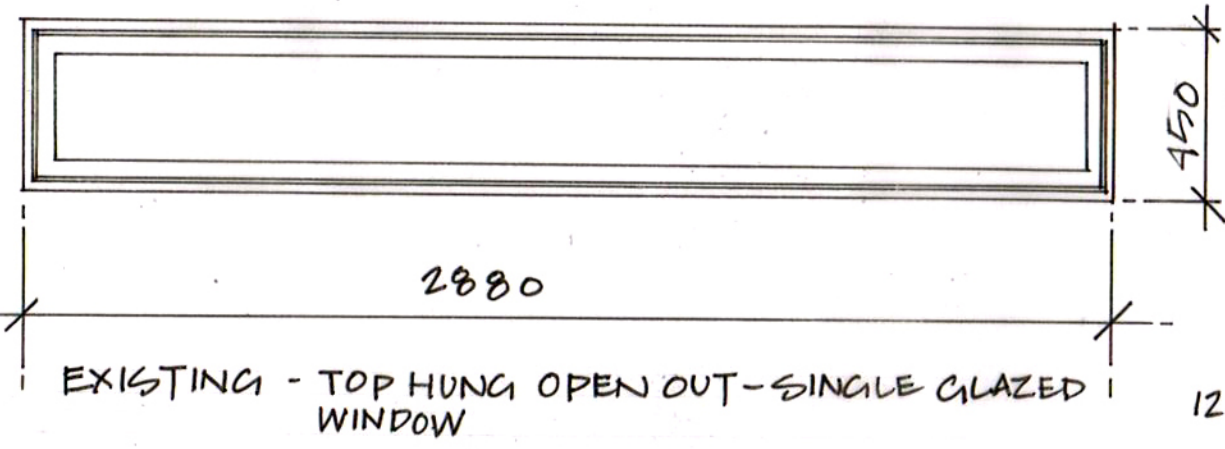
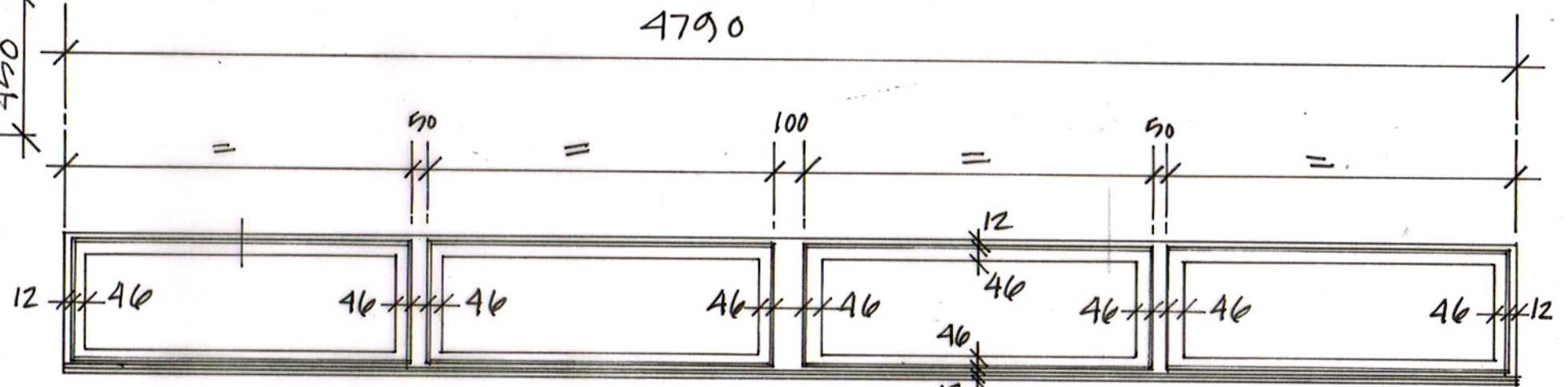
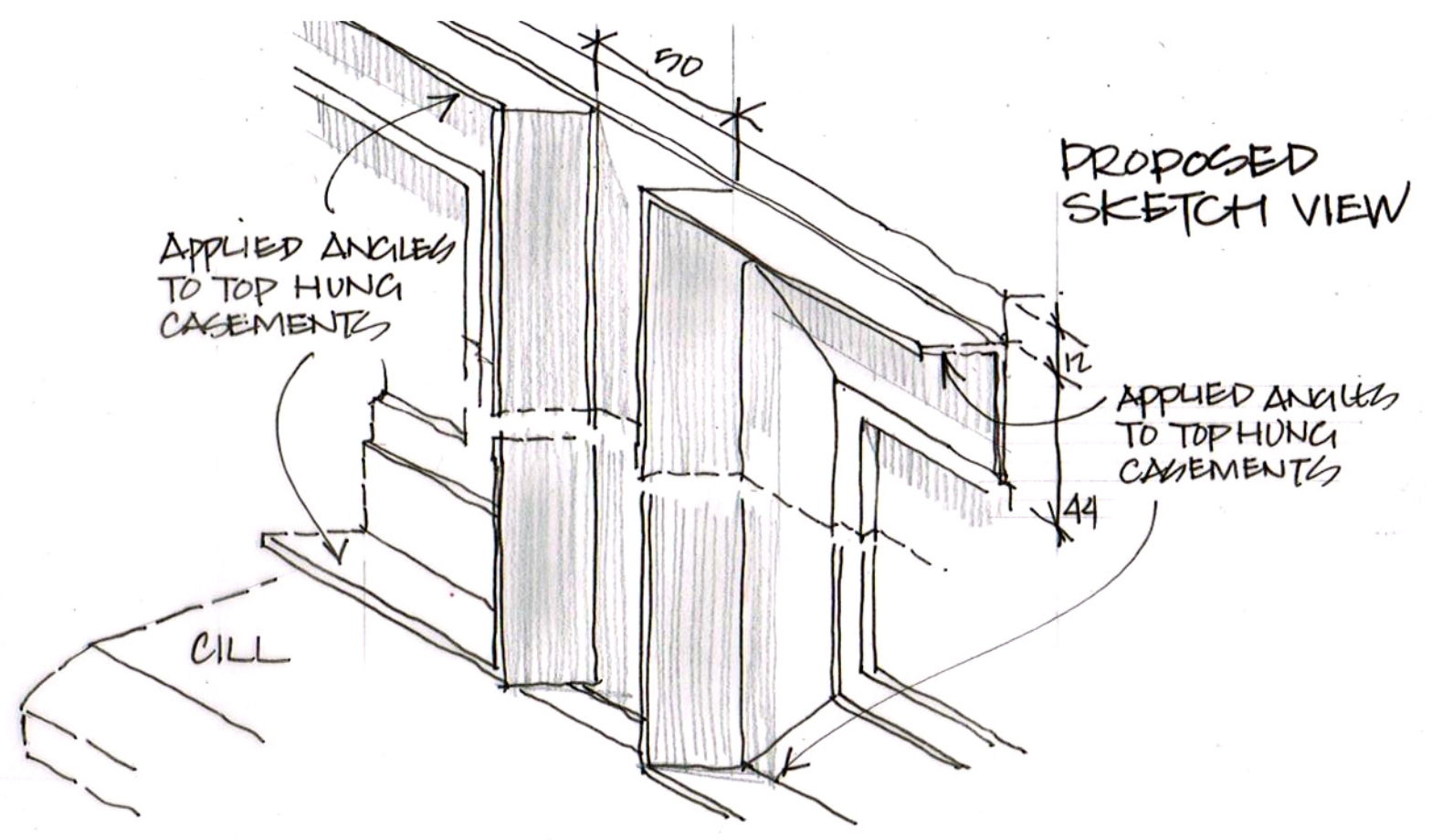


TYPE 8 AS PROPOSED (5no)  
 PROPOSED TO BE DIVIDED DUE TO WEIGHT OF  
 TRIPLE GLAZED REPLACEMENT WINDOWS.

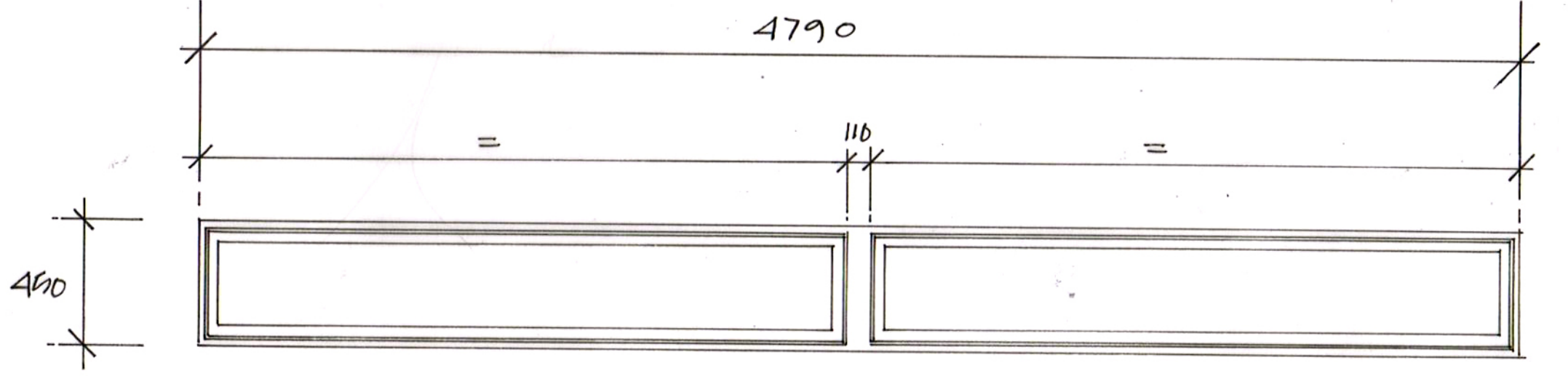
TYPE 8 AS EXISTING (5no)



EXISTING - TOP HUNG OPEN OUT - SINGLE GLAZED  
 WINDOW



TYPE 8 AS PROPOSED (1no)



TYPE 8 AS EXISTING (1no)