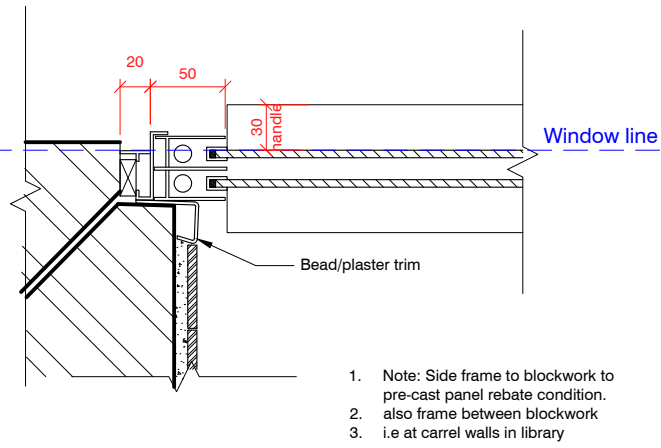


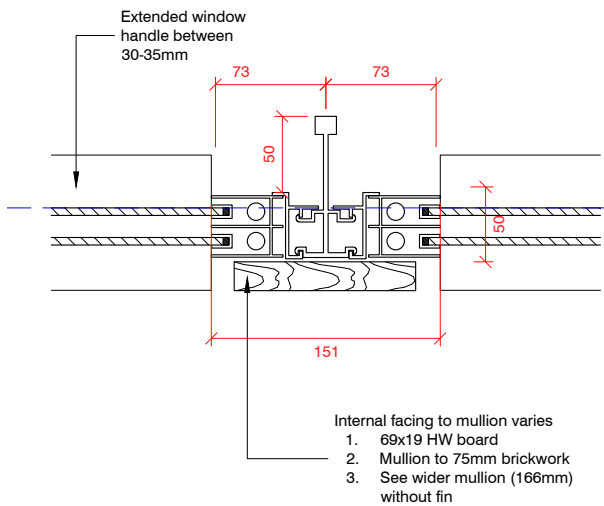
NOTES:

1. All proposed details are subject to further development in the next stage.
2. All proposed glazing to be made of CUIIN glass
3. DPC not indicated
4. Width of insulation to suit room features.
5. Exact dimensions to be confirmed in next stage.
6. Sightline Comparison Elevations appendix 04.
7. CUIIN insulated triple glazed units.



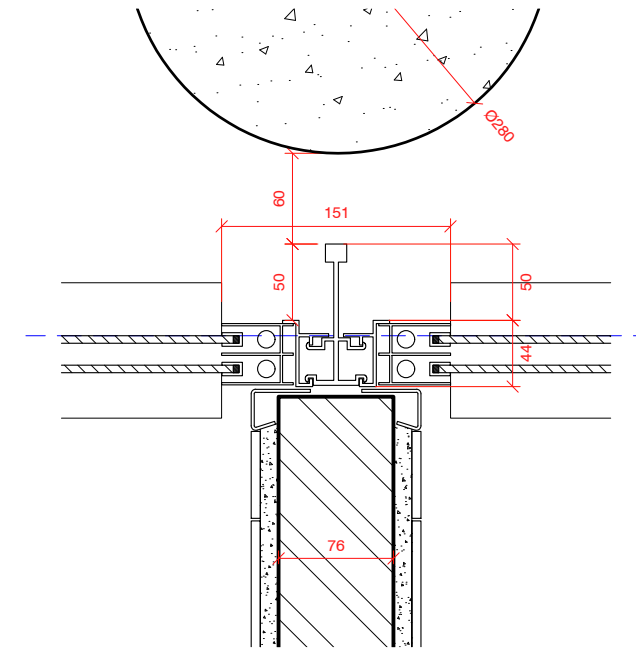
1. Note: Side frame to blockwork to pre-cast panel rebate condition.
2. also frame between blockwork
3. i.e at carrel walls in library

1 Existing Jamb Detail At Rebate
1:5

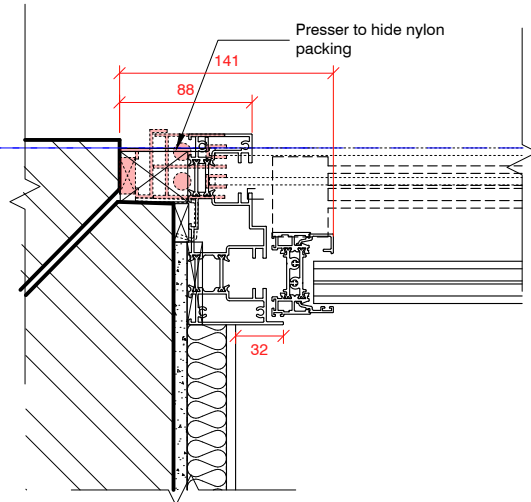


- Internal facing to mullion varies
1. 69x19 HW board
 2. Mullion to 75mm brickwork
 3. See wider mullion (166mm) without fin

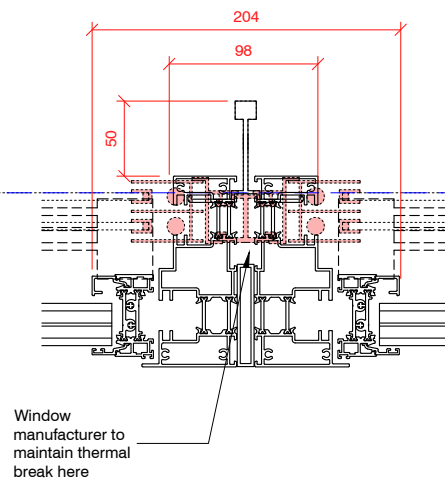
2 Existing Jamb Detail With Fin
1:5



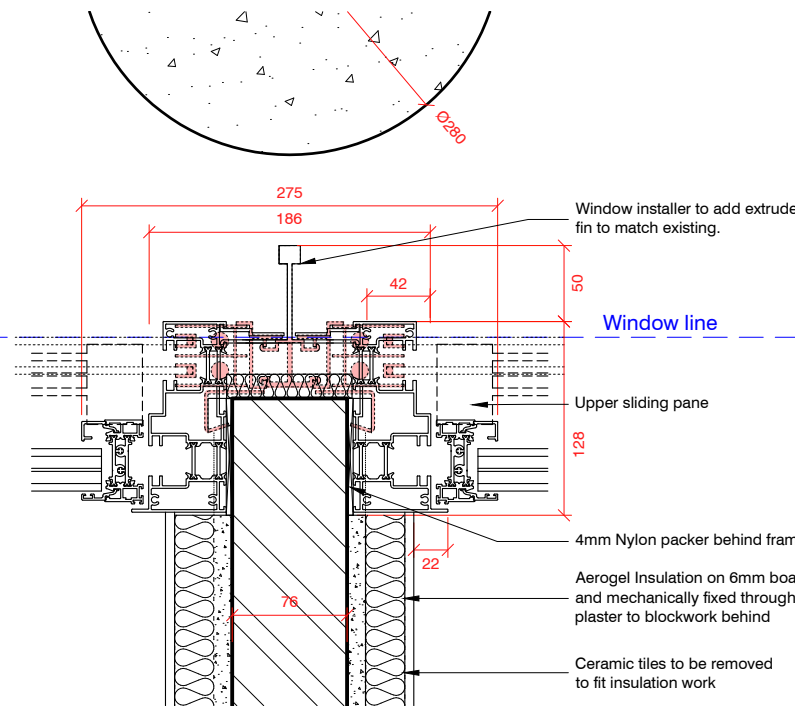
3 Existing Jamb Detail At Partition With Fin
1:5



4 Proposed Jamb Detail At Rebate
1:5



5 Proposed meeting stile detail With Fin
1:5



6 Proposed Jamb Detail At Partition With Fin
1:5

REV	DATE	NOTE
A	22.01.21	Planning application issue

PROJECT TITLE
Wolfson College - Decarbonisation

DRAWING TITLE
Window detail - Type 2d and 2f

DRAWING NO	SCALE	SHEET	DATE
PA-74	1:5	A3	22.01.21
	DRAWN	CHKD	JOB NO
SG	MB	20282	

original FIELD.
architecture & landscape
Unit 5 Standingford House, 26 Cave Street, Oxford OX4 1BA
T: 01865 723 083 E: mail@originalfield.com

Do not scale-Use figured dimensions only.All dimensions are approximate and should be checked on site prior to construction.Discrepancies must be reported immediately before proceeding.This drawing is confidential and is the intellectual property of Original Field of Architecture Ltd.It should not be reproduced or distributed to other parties without appropriate approval

