

Quotation Prepared for: MR AND MRS LINDA & MARK BALDWIN  
31 High Street  
Osournby  
Sleaford  
Lincolnshire  
NG34 0DN

**Scope of Project:**

Replacement - Carefully remove existing items, prepare openings and supply and fit replacements. To include all making good of aperture ready for final decoration by others. All installed in full compliance with Building Regulations Document L (2010 Edition) by our trained and experienced installers.

Site Address: AS ABOVE

**Technical Specification:**

All products in multi-layer Engineered European Redwood or Finger Jointed Redwood sections for added stability. Internally beaded throughout for security. Factory glazed with argon gas filled double glazed units featuring soft-coat energy saving glass. Drained and vented sections to protect against sealed unit failure. Fully factory finished with high performance, micro-porous paint treatments. French doors fitted with multi-point claw locks to master doors, flush bolts to slave door. Robust, adjustable hinges. Entrance doors fitted with multi-point claw locks and robust, adjustable hinges. Flush casement windows with high security multi-point locking systems and locking handles. Where FSC is shown against an item, joinery is supplied as FSC Mix Credit under Chain of Custody Registration No TT-COC-005135

Item Qty	Item Reference	Product	Style	Remarks
1	1 REAR DOOR	Entrance Door	IN-A-Rawlinson	Cottage - Black. Farrow & Ball Colourmatch. FSC
2	1 GARDEN ROOM	French Door	OUT-A-Stratfield	Cottage - Black. Farrow & Ball Colourmatch. FSC
3	1 GARDEN ROOM	Flush Casement Window	One Off	Monkeytail - Black. Farrow & Ball Colourmatch. FSC
4	1 GARDEN ROOM L/H	Flush Casement Window	One Off	Monkeytail - Black. Farrow & Ball Colourmatch. FSC
5	1 SIDE GARDEN ROOM	Flush Casement Window	One Off	Monkeytail - Black. Farrow & Ball Colourmatch. FSC
6	1 REAR KITCHEN	Flush Casement Window	DL47	Monkeytail - Black. Farrow & Ball Colourmatch. FSC

Prepared By:  
Mike Scarborough  
SALES REPRESENTATIVE.

Your Project is covered by:



Nett Price: £10,916.45  
VAT (20%): £2,183.29  
Total Price: £13,099.74

Valid upon registration. Ask for full details

QUOTATION VALID FOR: 60 DAYS

Lead Time:  
\* Approximately 9-11 weeks from Sign Off of Final Detail.

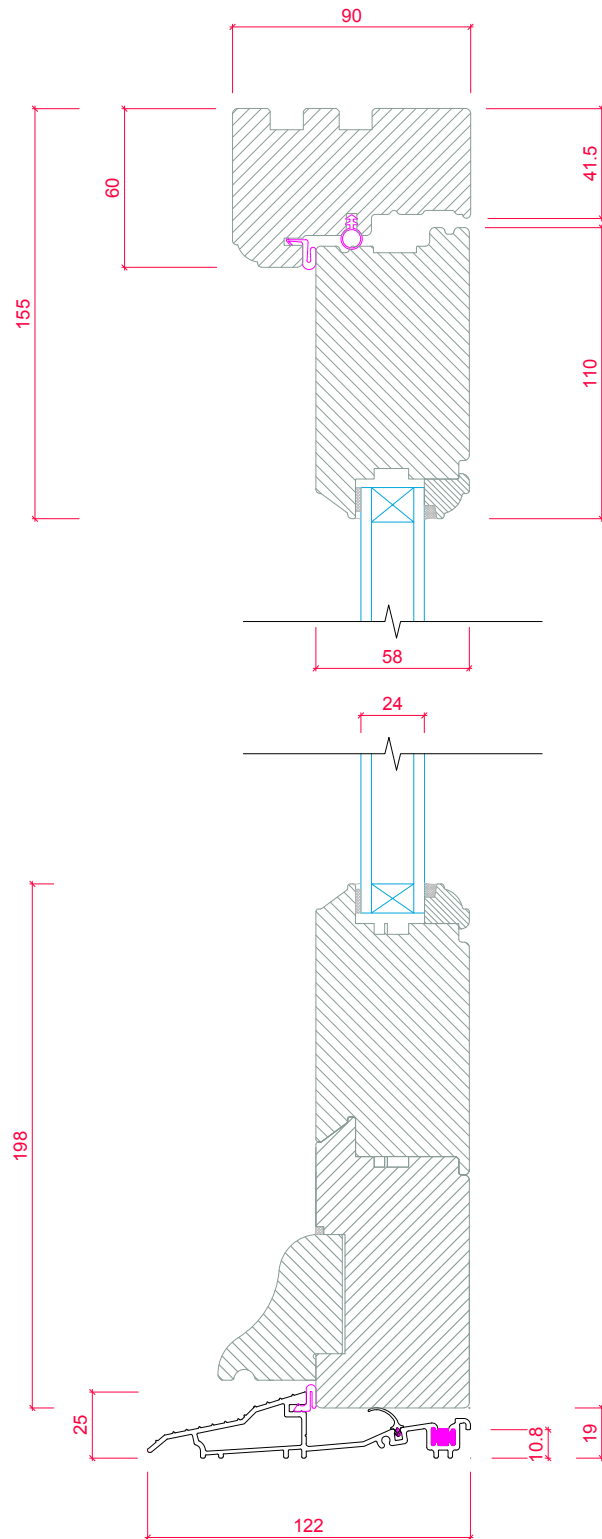
Terms:  
Deposit with Order: 50%  
Stage Payment required before delivery due: 40%  
Balance to installers on day of completion: 10%

**Your Guarantees:**

Fungal & Insect	Sealed Unit	Hardware	Workmanship	Paint	Stain
					
30 YEARS GUARANTEE	10 YEARS GUARANTEE	10 YEARS GUARANTEE	10 YEARS GUARANTEE	12 YEARS GUARANTEE	6 YEARS* GUARANTEE

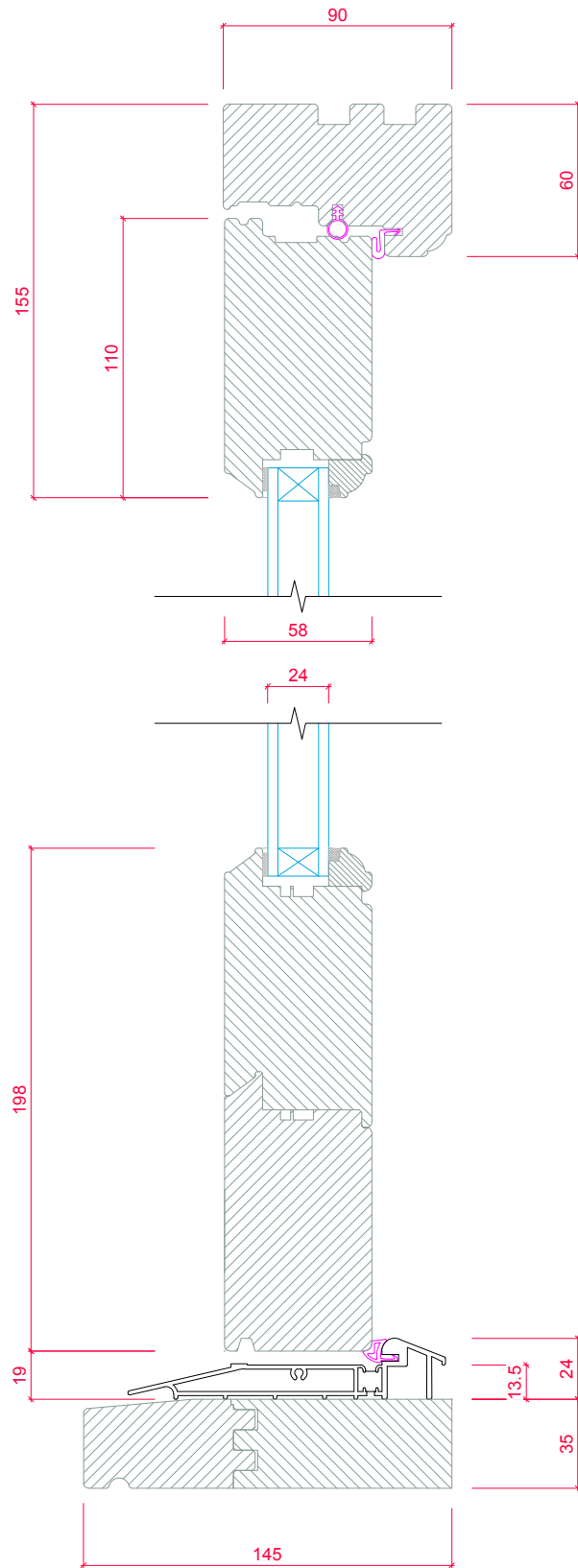
\*6 years for Meranti and Redwood, 1 year for Oak.





**Optimal Door - Open In**  
**Feature Mould: Ovolo**  
**Vertical Section**  
**Standard Aluminium Threshold**





**Optimal Door - Open Out**  
**Feature Mould: Ovolo**  
**Vertical Section**  
**Standard Threshold with 145mm x 35mm Projecting Cill**









