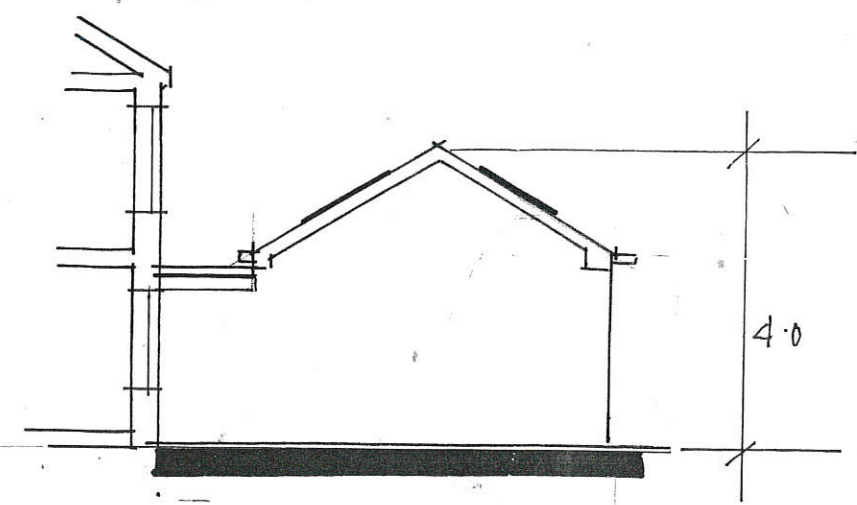


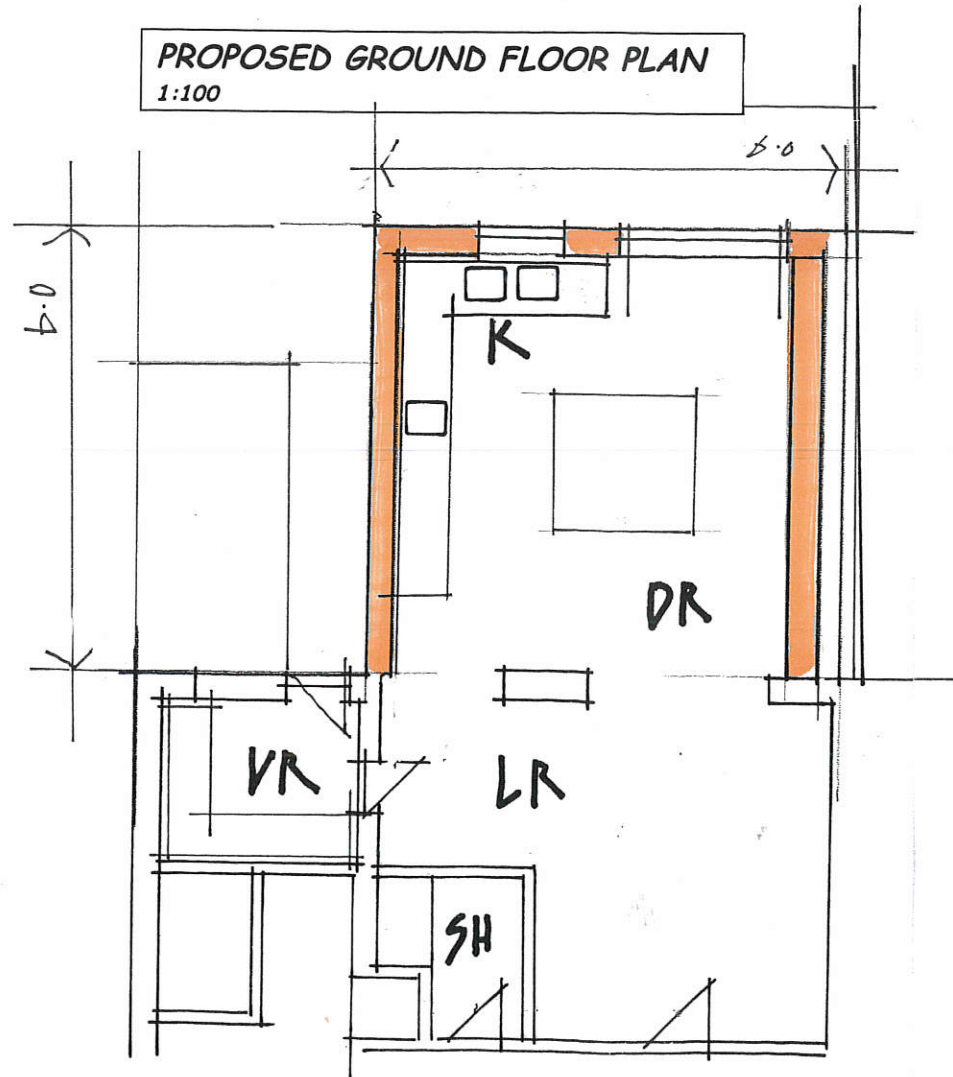
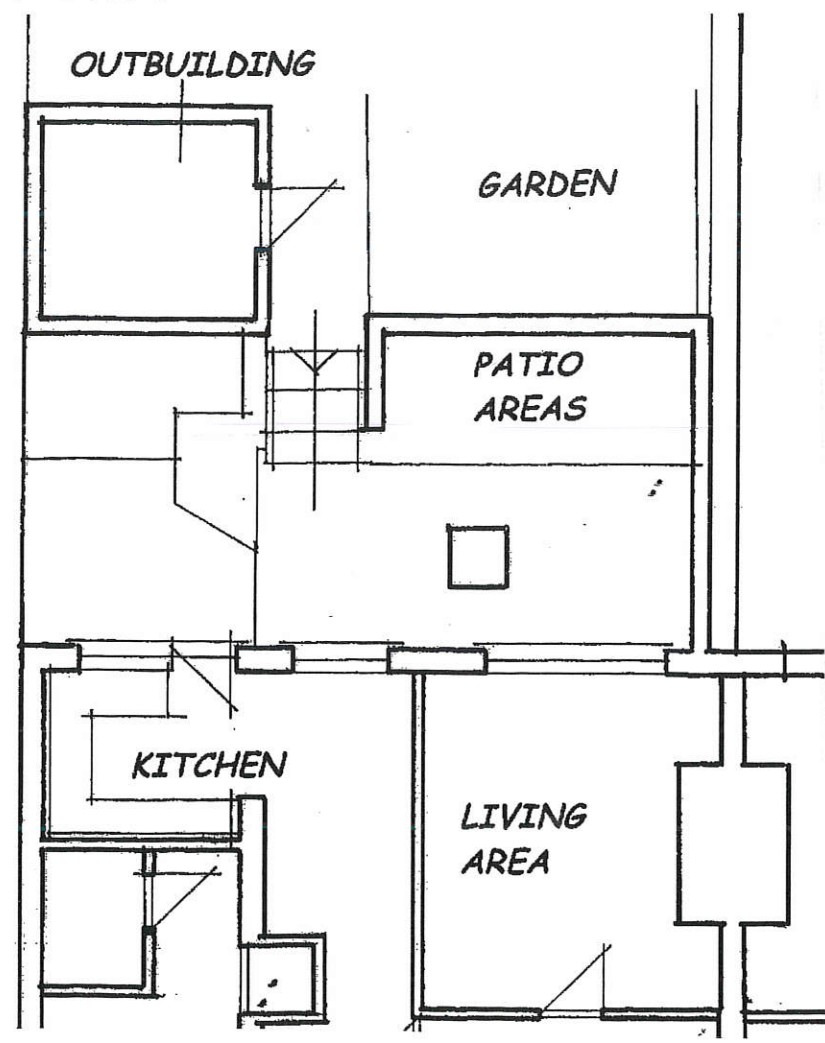
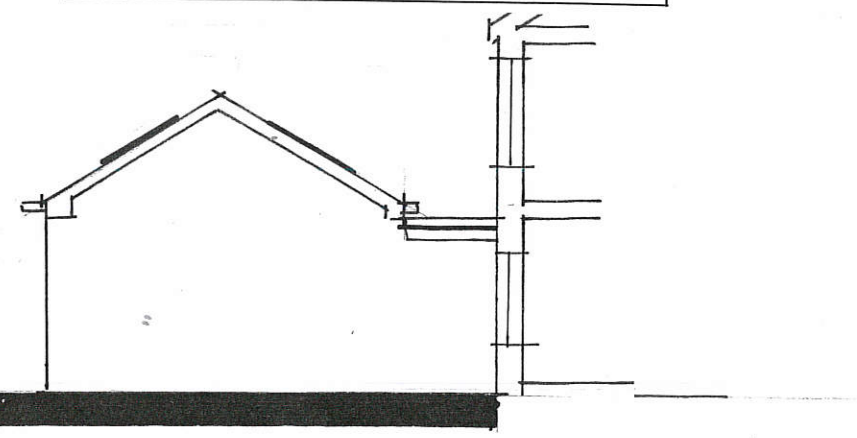


**PROPOSED REAR ELEVATION**  
1:100

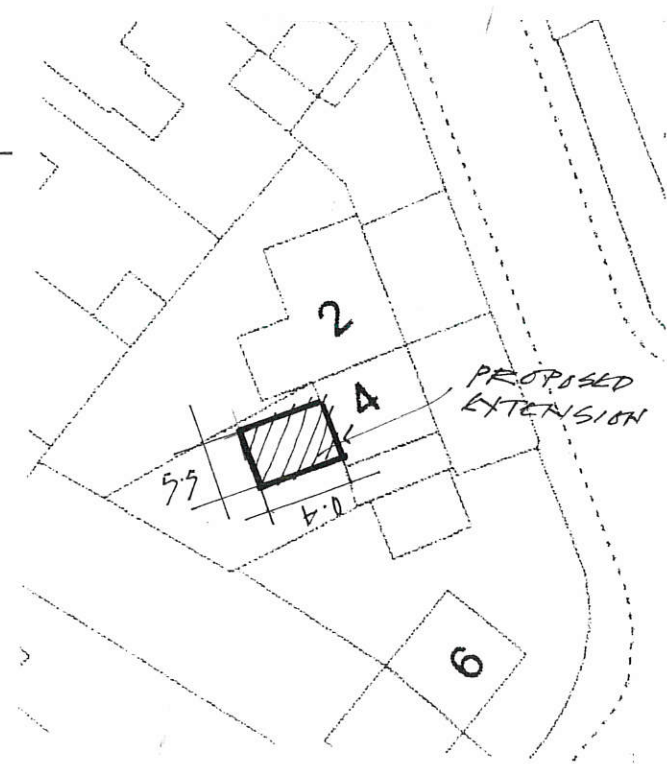
**PROPOSED GABLE ELEVATION**  
1:100



**PROPOSED GABLE ELEVATION**  
1:100



**PROPOSED GROUND FLOOR PLAN**  
1:100



**SITE PLAN**  
1:500

**PROPOSED REAR SINGLE STOREY EXTENSION  
4 SOUTH END PITTINGTON COUNTY DURHAM**

**RYDER ARCHITECTS**  
**SELF BUILD + DESIGN**  
 The Studio  
 Sylvan Vista, Brancepeth Village,  
 Durham, DH7 8DT  
 email selfbuildarchitects@hotmail.com  
 Phones. 0191 3784727 : 07802 740150