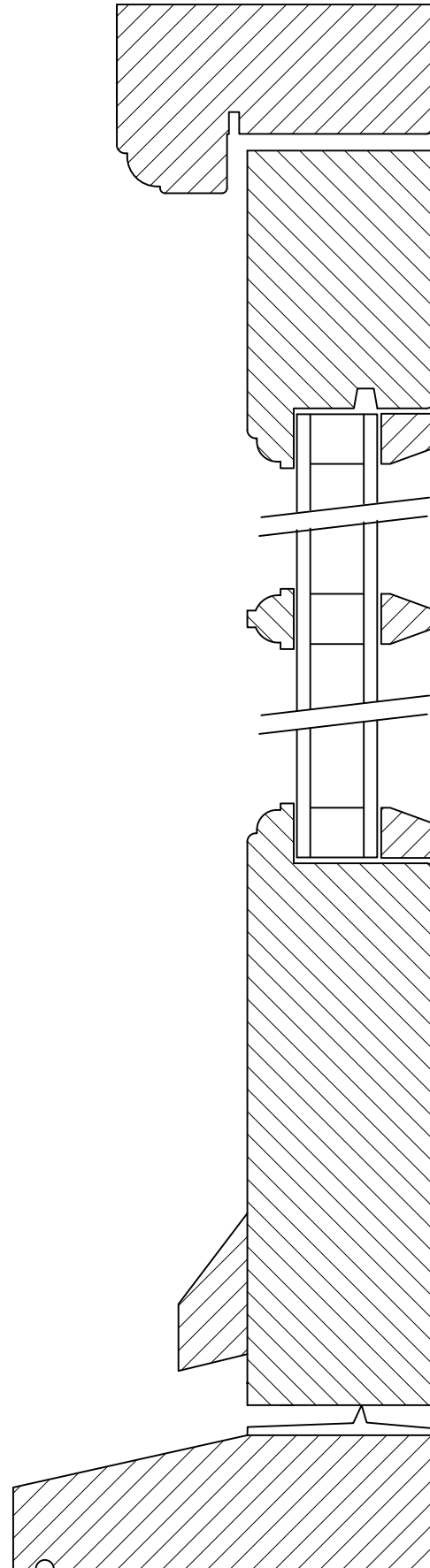


0 10 20 30 40 50mm

Window Section 1:2



0 10 20 30 40 50mm

Door Section 1:2

OLIVER SALTER
ARCHITECTURAL SERVICES
 21 PRIMLEY ROAD, SIDMOUTH, EX10 9LD.
 t: 07966064685 e: oliversalter@live.co.uk

Proposed replacement windows and doors at 4 Counters Court, Mill St, Sidmouth, EX108DW.		
Sections		
March 2021	1:2 @ A3	306-2