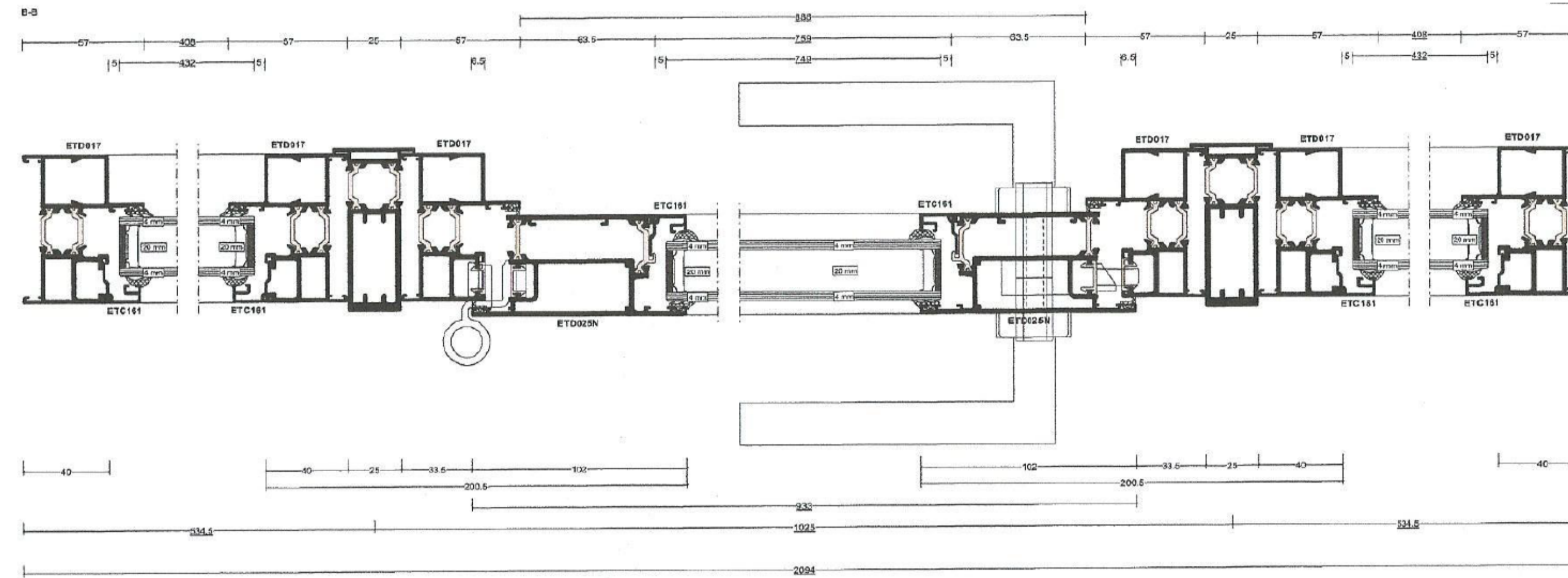
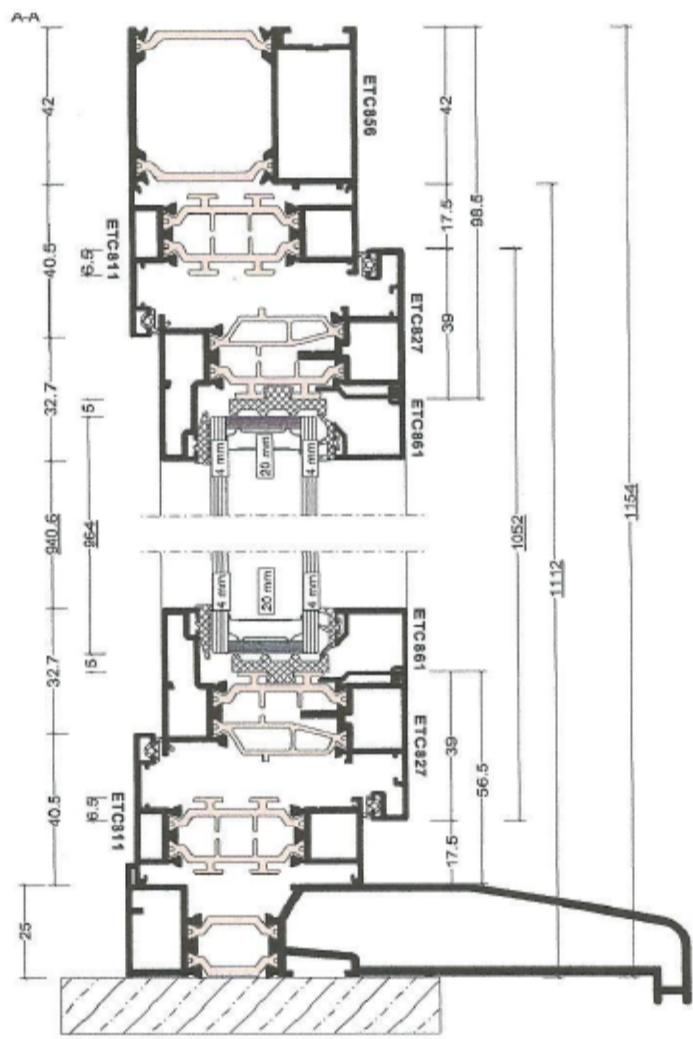


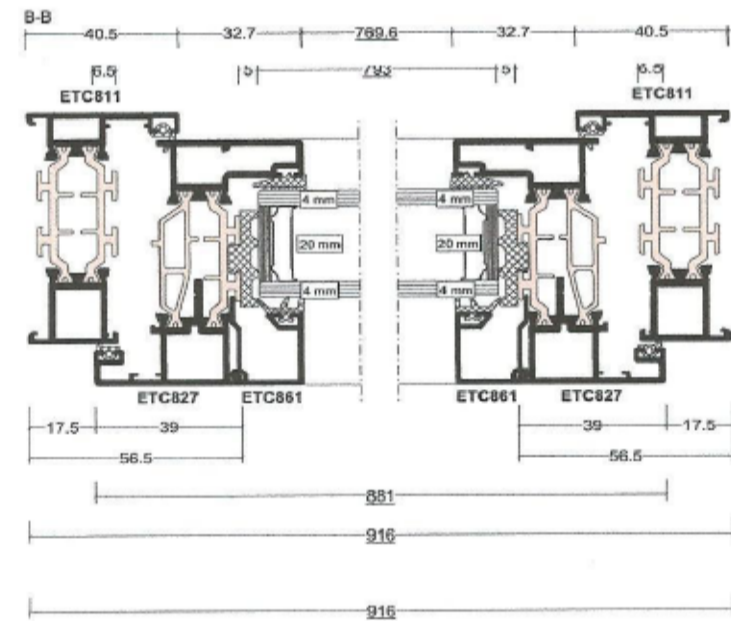
FRONT DOOR VERTICAL SECTION



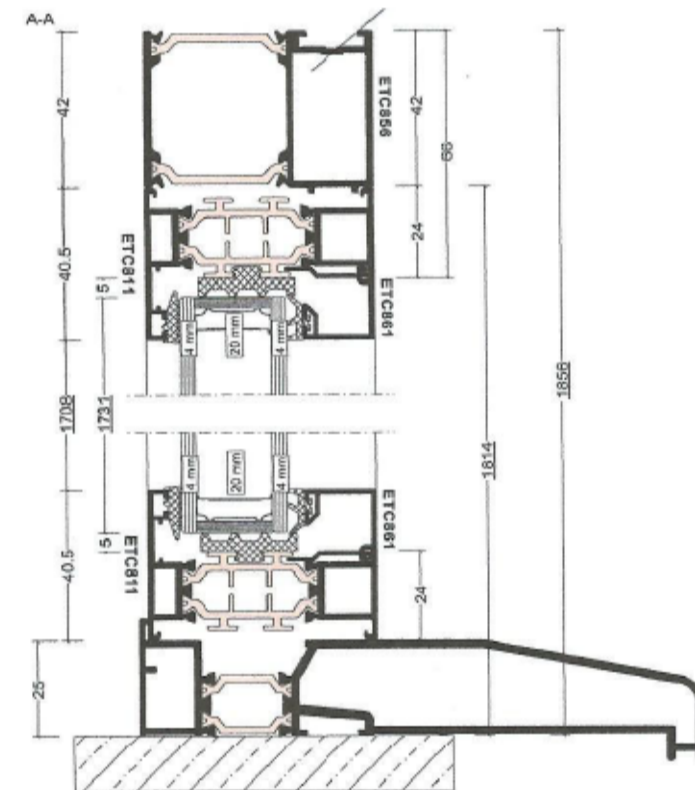
FRONT DOOR HORIZONTAL SECTION



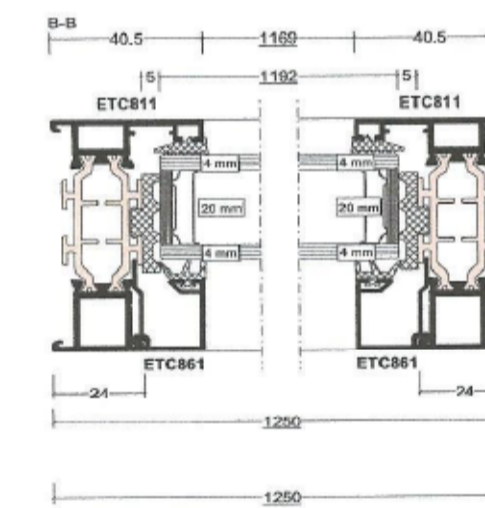
TYPICAL WINDOW VERTICAL SECTION



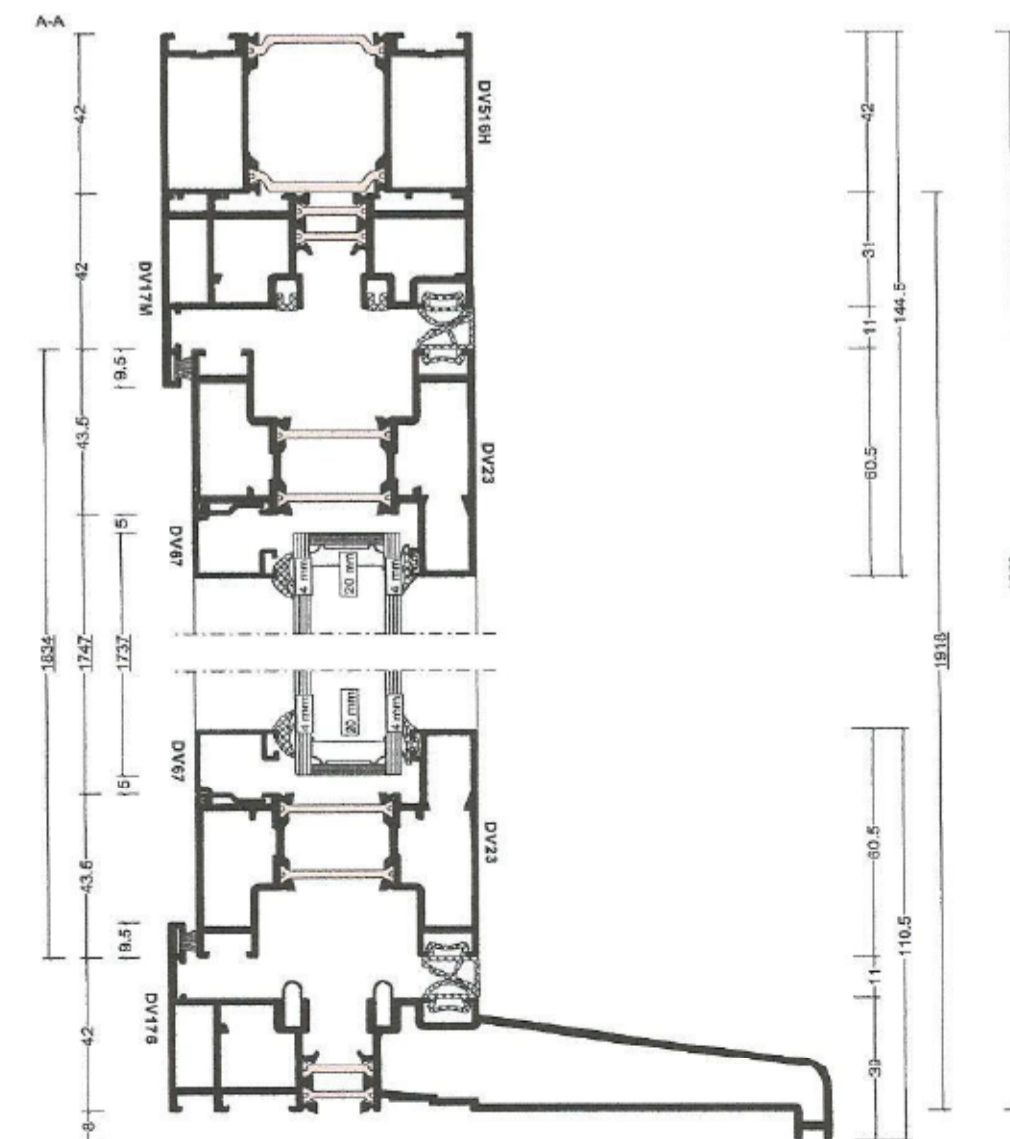
TYPICAL WINDOW HORIZONTAL SECTION



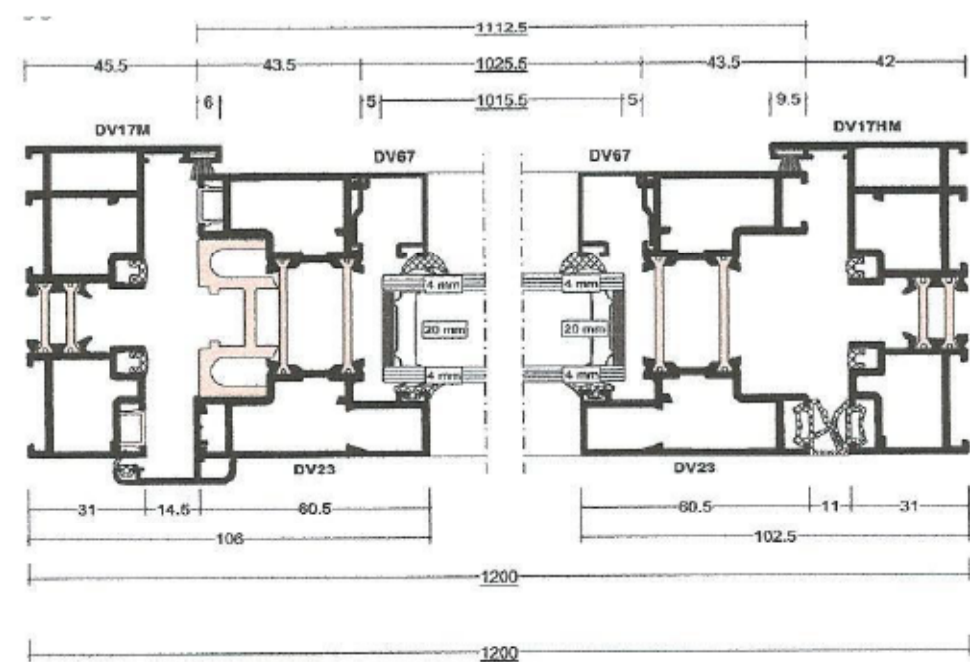
FIXED GLAZED PANEL HORIZONTAL SECTION



FIXED GLAZED PANEL HORIZONTAL SECTION



KITCHEN DOOR VERTICAL SECTION




KITCHEN DOOR HORIZONTAL SECTION



WINDOW & DOOR FINISH: RAL 7016 ANTHRACITE GREY




REVISION	DESCRIPTION	DATE	BY	CHECKED
PLANNING CONDITIONS				
TITLE: TYPICAL WINDOW & DOOR DETAILS			REF: 5556	
PROJECT: PROPOSED FENESTRATION ALTERATIONS			DATE: PA_02	
THE GRANARY, LINDSEY TYE			SCALE: 1:2	REVISION: A1
HADLEIGH, SUFFOLK			DATE: September 2020	
CLIENT: MR & MRS BOGGIS			DATE: MW	DATE: PB



**WINCER
KIEVENAAR**
CHARTERED ARCHITECTS

Market Place · Hadleigh · Ipswich · Suffolk · IP7 5DN
T 01473 827992 E enquiries@wincerkievenaar.co.uk
Do not scale from drawings, work to figured dimensions only



RIBA
Chartered Practice