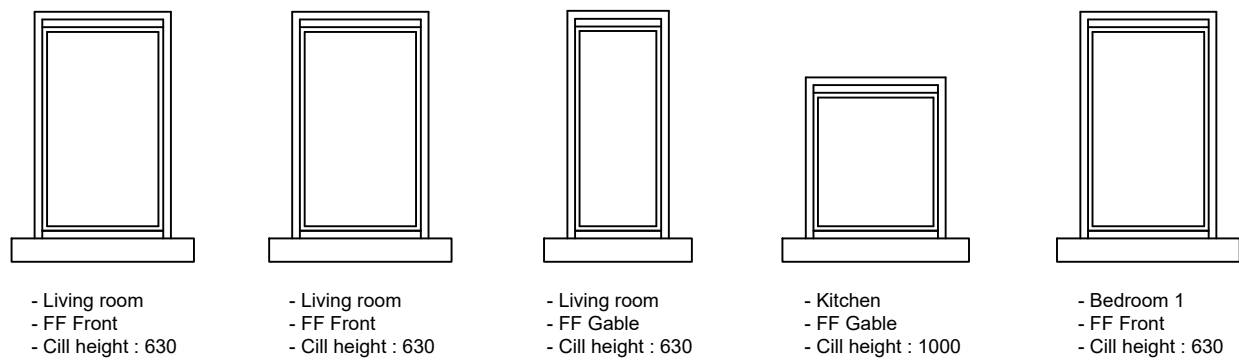
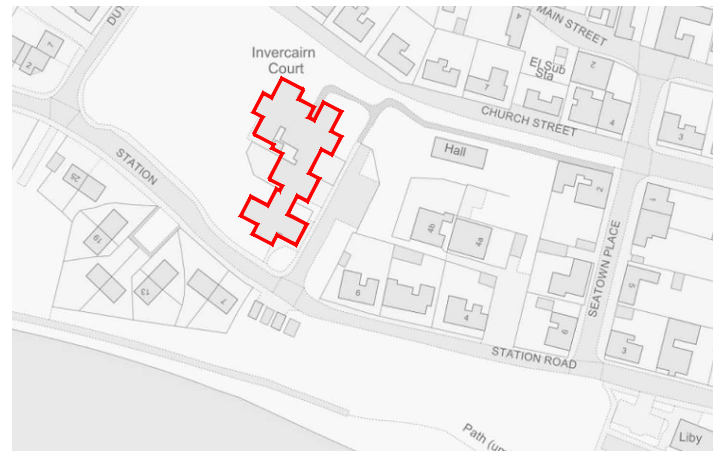


NOTE: Property located within the Cairnbulg Conservation Area.

REPLACEMENT WINDOWS GENERAL NOTES



EXISTING WINDOW ELEVATIONS scale 1.50



LOCATION PLAN scale 1.2500

Dust sheets to be used in all affected areas, with due care and attention given to protect Tenant's property. Contractor to allow for removing all existing windows, sash boxes, cills, soffits and ingoes.

WINDOWS SPECIFICATION

All windows to be manufactured by Nordan or equivalent. Opening windows to be fully reversible. NBS Spec - 25-50-95/125.

Windows to be factory treated with water-borne paint or woodstain colour to be 'White' (inside and outside).

Window unit to be fitted with integral restrictor which limits the initial opening to less than 100mm.

All opening casements to have a safety restrictor and satin chrome locking handle. Windows must be fully reversible within frame and opening space to avoid soffits and fascias. Window handle lock key, 1no. per window unit, to be left on site / issued to tenant.

An escape window is to be provided in every apartment on an upper storey at a height of not more than 4.50m - generally, but not exclusively, first floor apartment windows. The escape window should have an unobstructed openable area that is at least 0.33m² and at least 450mm high and 450mm wide. The bottom of the opening sash should not be more than 1100mm above floor level. This requirement overrides any requirement for a dead panel. Where not possible to comply with current Building Regulations, the window replacement should not reduce existing opening sizes.

Where the below occurs, either a suitable barrier is installed (Contract Leader to approve prior to installation) or, a Type I window is used :-

- 1) sill that is less than 800mm above finished floor level, and
- 2) an operation that will allow the possibility of falling out, and
- 3) a difference in level between the floor level and the ground level of more than 600mm

Sashes to be fitted with a permanent trickle ventilator to comply with Building Regulations.

Hermetically sealed double glazing units with warm edge spacer bars to comprise 4mm clear sheet glass externally 16mm Argon filled cavity and 6mm low E glazing internally \* (4mm super float obscure glass, Cotswold pattern, internally at bathroom, shower room and WC windows).

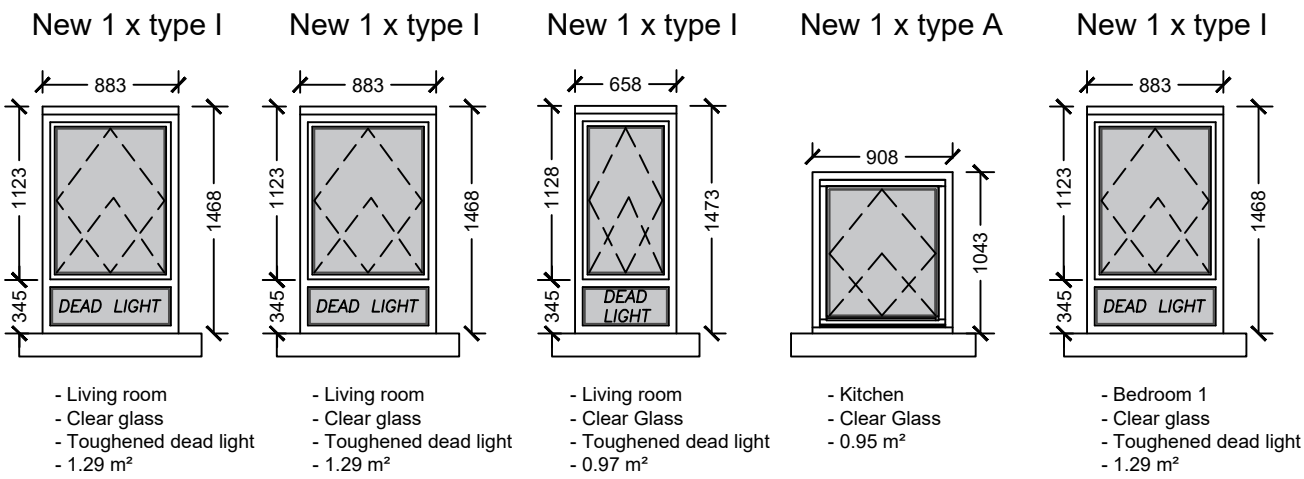
Glass to be toughened where cill height is below 800mm from finished floor level or ground level.

The window, including frame, to achieve a U-value of 1.2 w/m2K

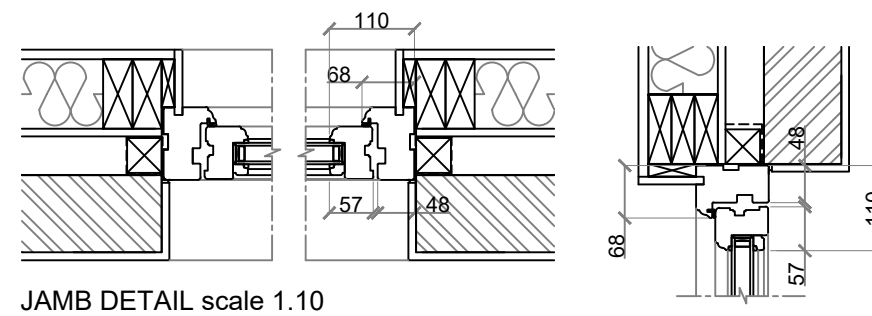
All windows to have a 10 year warranty.

Everbuild Ltd Silicone 825 Low Modulus Sealant or equivalent. Installed with suitable backer rod and in strict accordance with Manufacturers printed instructions.

Dormer Windows – allowance to be made to replace external facings & lead flashings for agreement on site. No fixings to be made through bottom rail to avoid puncturing flashings.



PROPOSED WINDOW ELEVATIONS scale 1.50



JAMB DETAIL scale 1.10

HEAD & CILL DETAIL scale 1.10



SITE PHOTOS

Window Installation Materials				
	Window Boards	Reveals	Facings	Aprons
Living room	210	220	70	70
Bedroom 1	210	200	70	70

GENERAL NOTE

- Remove and Replace all existing window boards and reveals.
- No external facings.
- Seal external cills to concrete / stone upstands.
- External sealant to be applied to a good standard.
- New window boards and reveals to be MDF with paint finish.

ALL WINDOWS

- Existing windows **White UPVC**.
- New windows to be Fully Reversible With Pre-Finished Colour.
- All windows to be openable, no dead lights to apartments
- No integral, externally exposed packers and / or facings permitted unless specifically agreed due to existing restrictions.

INSTALLATION

- New window frame to be installed over an alfas expanding sealant strip laid in one continuous length over the width of the hard window opening.
- Existing DPC to be folded back and fixed to the new window frame. Care to be taken to ensure the DPC is hidden by the cill board.
- Reinstate or install vapour control barrier over full width of cill internally.
- Internal finishes to be 12mm Moisture Resistant MDF with 70x12mm MDF pencil round facings / aprons, 25mm Moisture Resistant Bullnose cill boards with white gloss finish to match windows or paint finish (colour to be confirmed by Housing). Cill to extend 25mm beyond finished wall surface. NBS Spec - 30-05-50/150.

PLANNING

<p>Part of the Sureserve Group</p>	Rev. A Details: *		Address 11 Invercairn Court, Cairnbulg, AB43 8YW 2 Apt, First Floor Flat Client Aberdeenshire Council	Project Title Aberdeenshire Council 18169 - HIP North Drawing Title Windows Replacement
	SS Ref. No. EV00289	Conject Issue - n/a		
	Drawn By: JD	Checked By: **		
	Scale: As shown at A3	Date: Jan '20		
Aberdeenshire Council Status.		A		