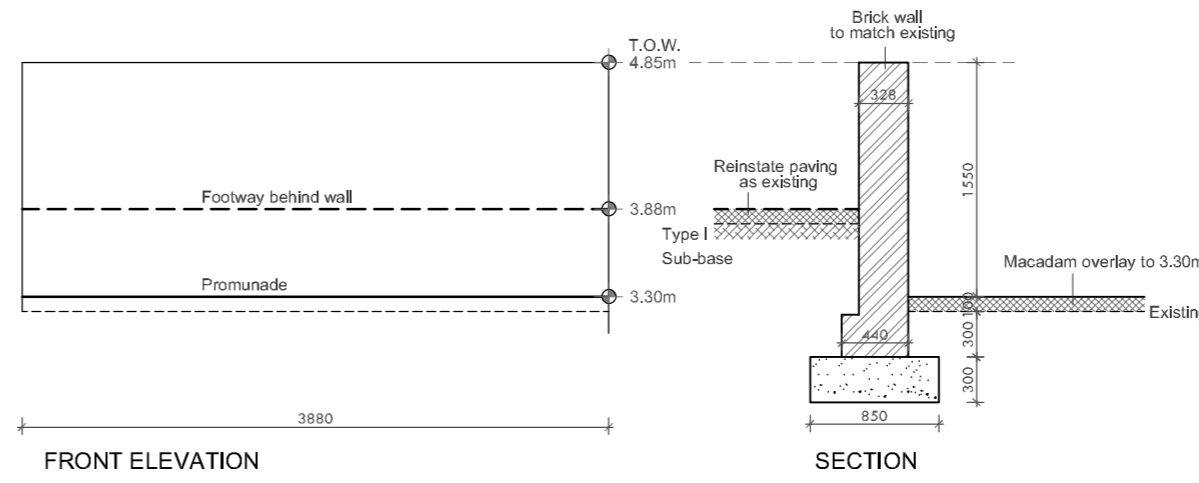
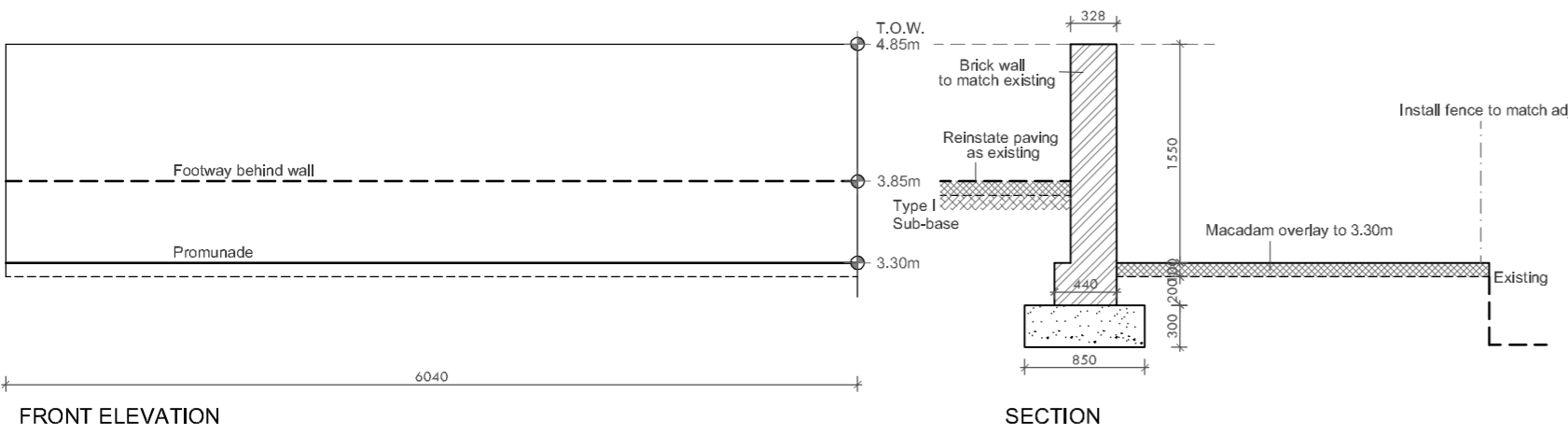


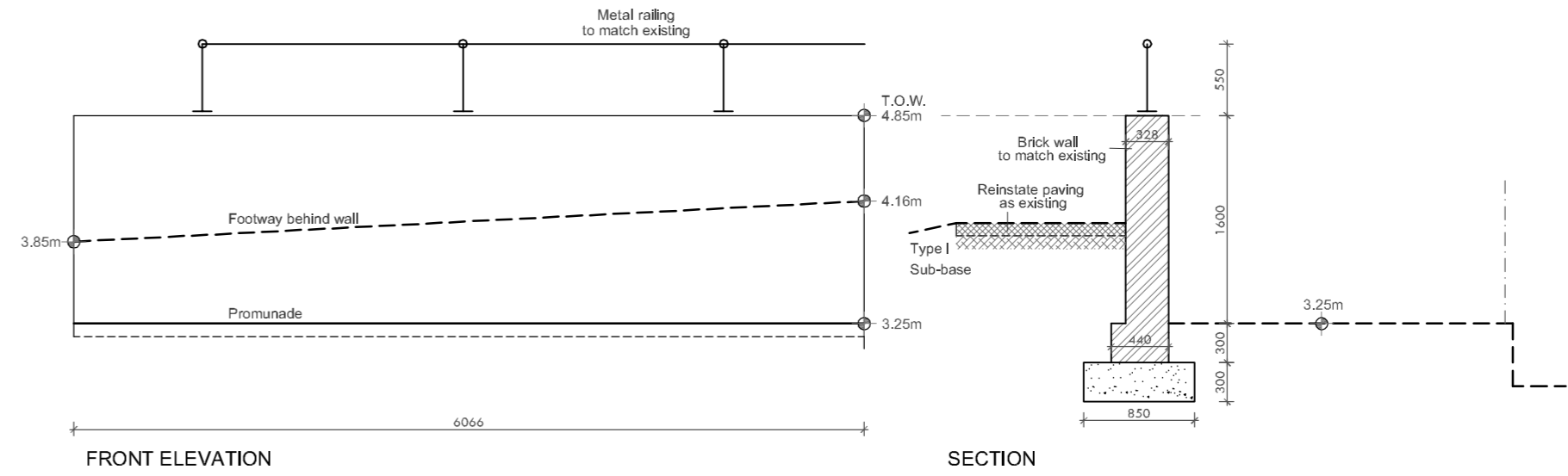
PANEL A



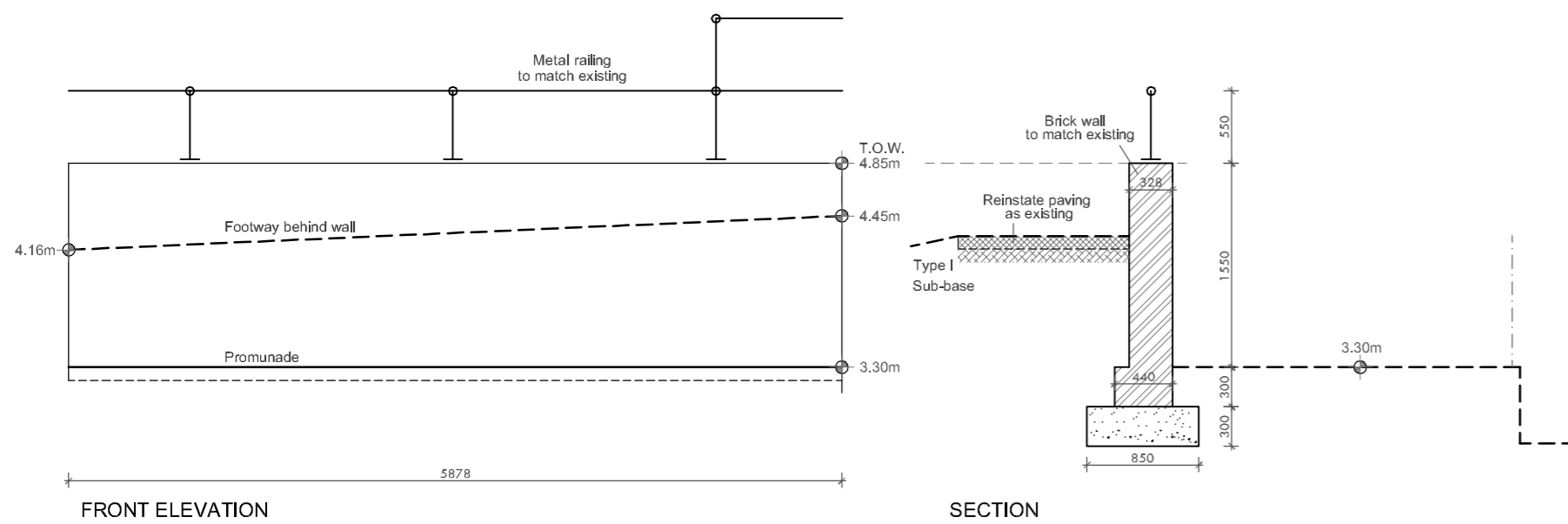
PANEL B



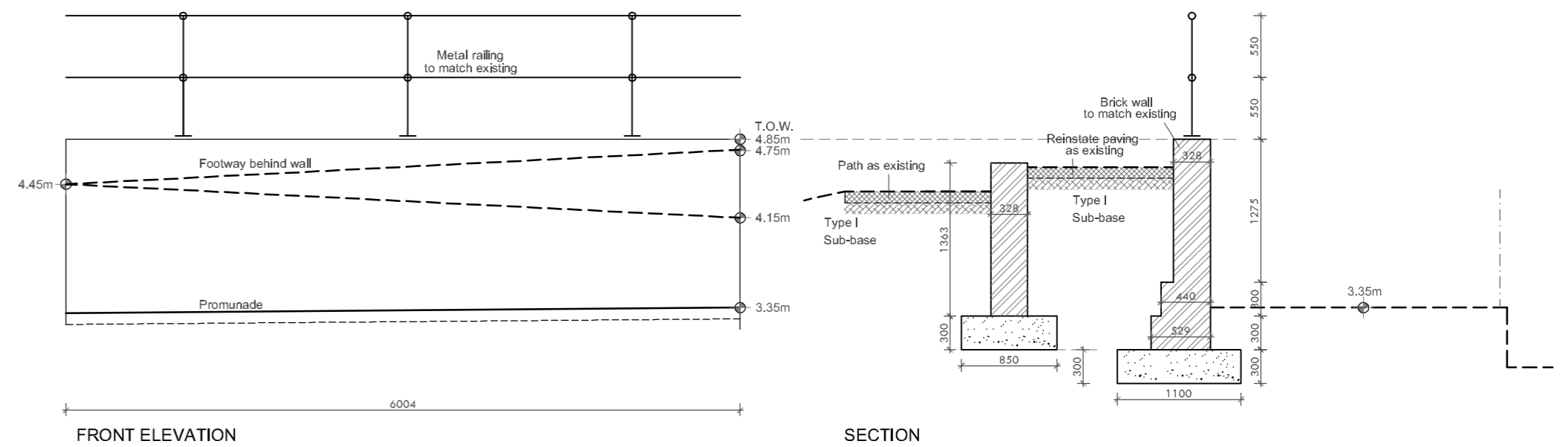
PANEL C



PANEL D

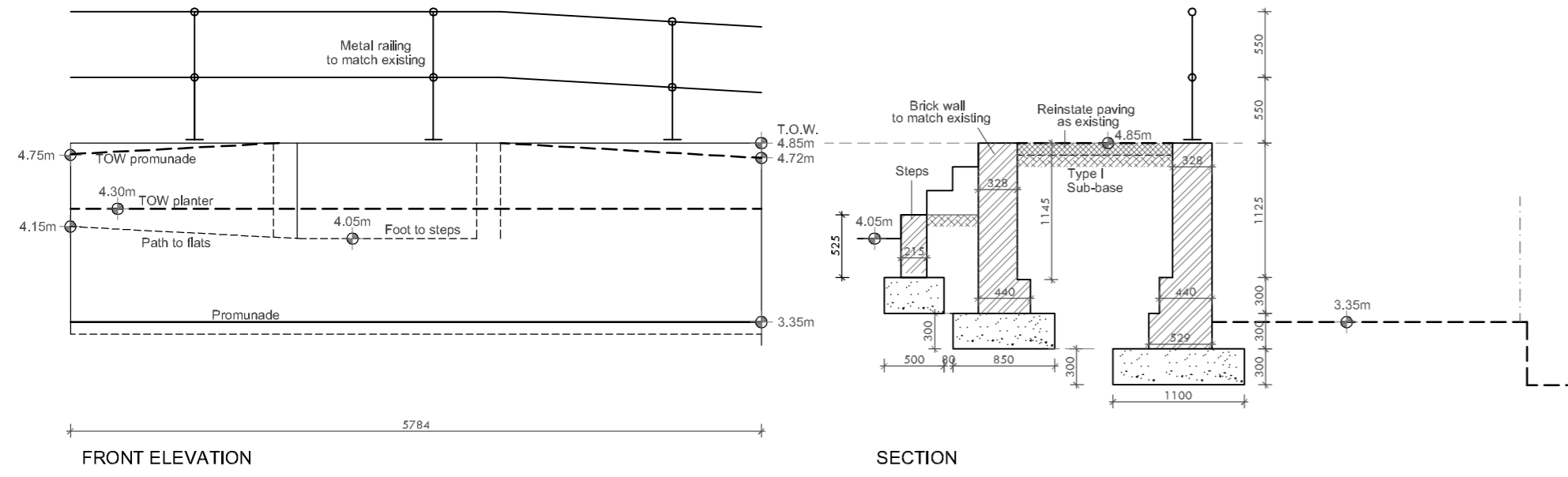


PANEL E



PANEL F

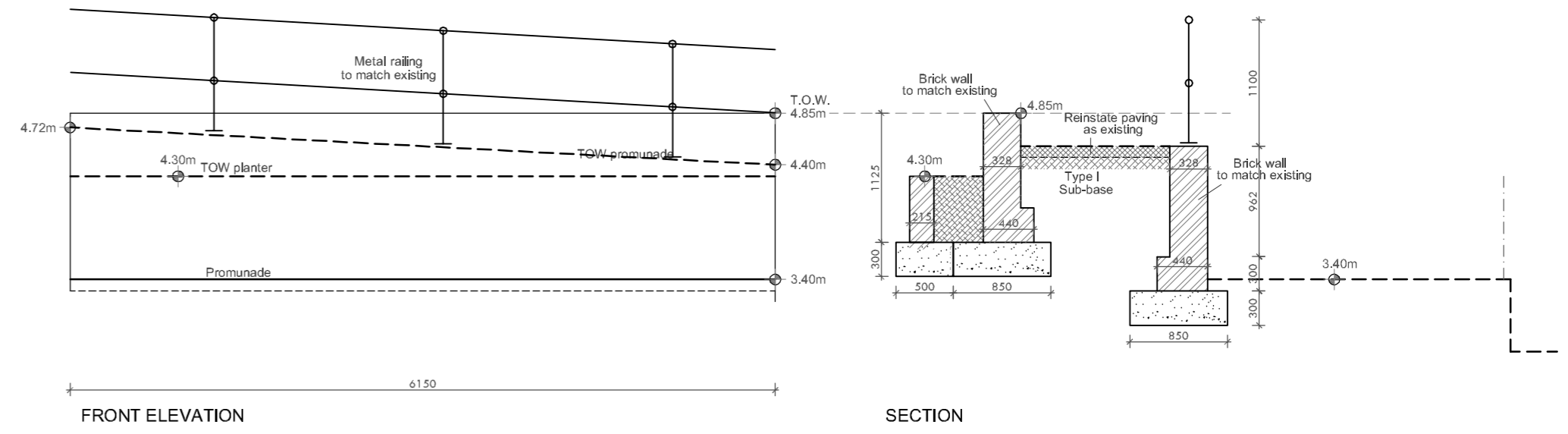




FRONT ELEVATION

SECTION

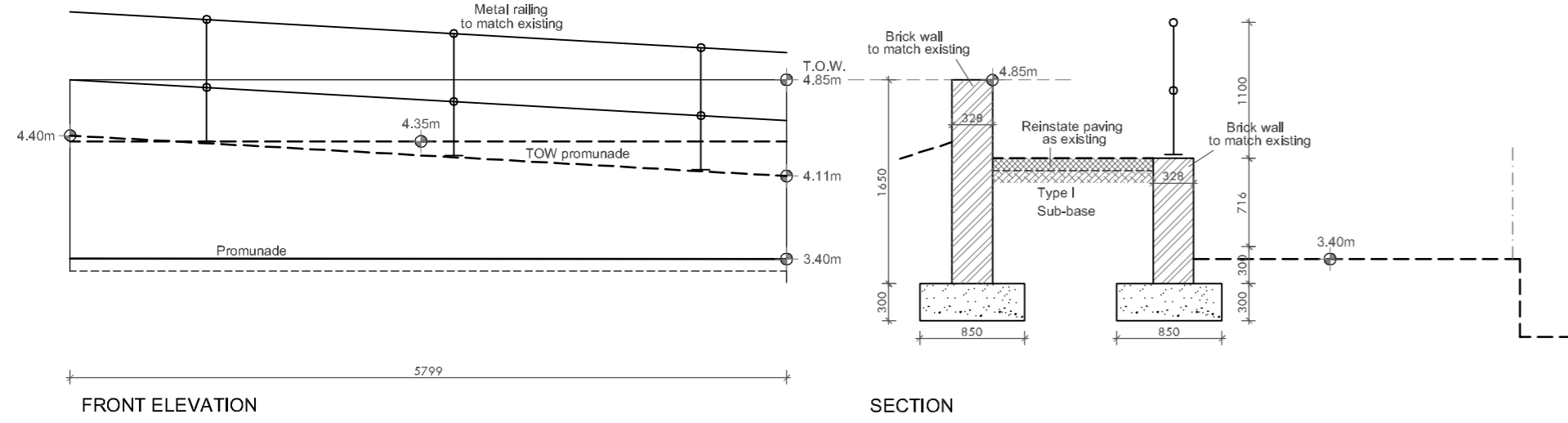
PANEL G



FRONT ELEVATION

SECTION

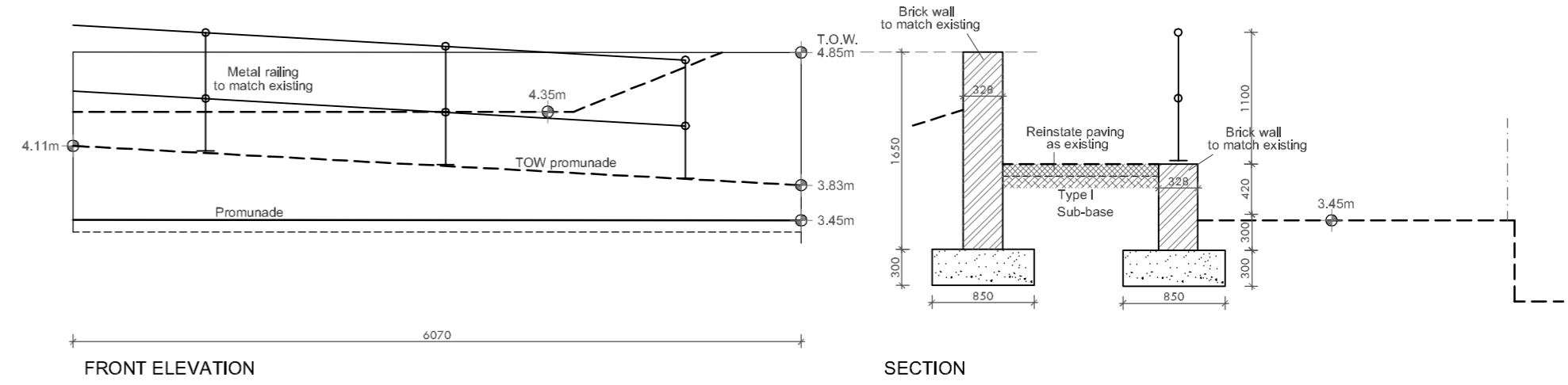
PANEL H



FRONT ELEVATION

SECTION

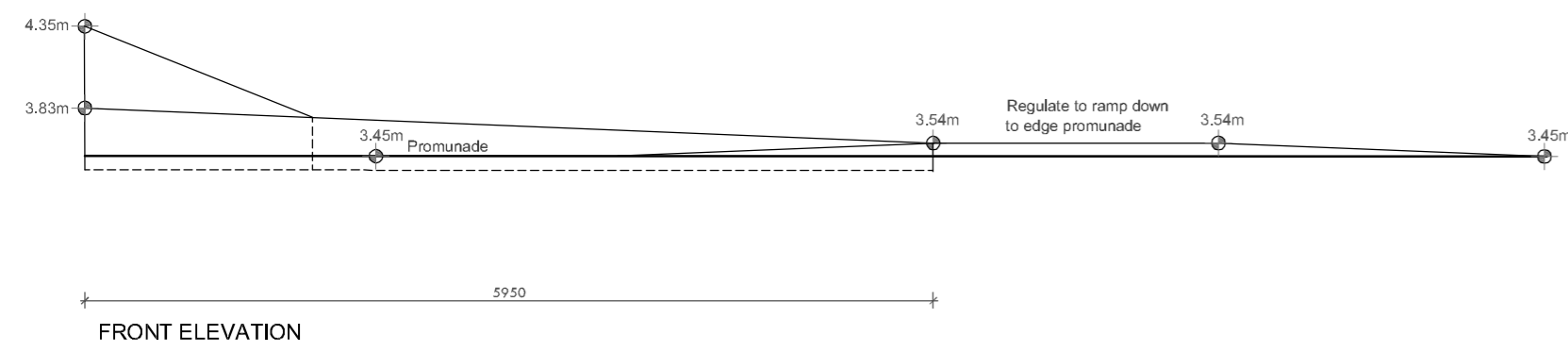
PANEL I



FRONT ELEVATION

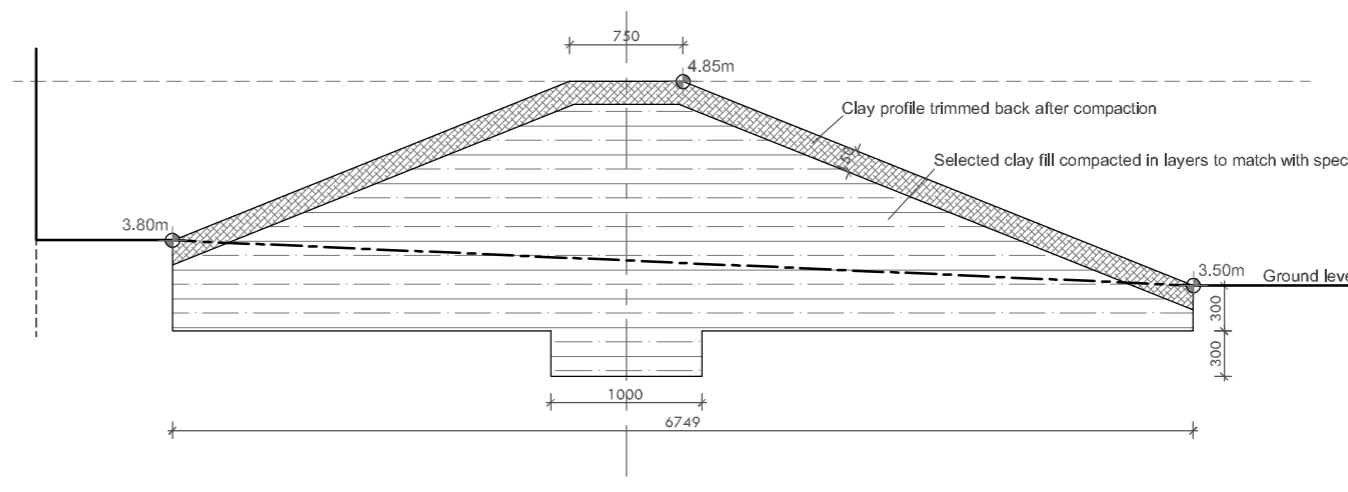
SECTION

PANEL J



FRONT ELEVATION

PANEL K



EARTH EMBANKMENT - SECTION L

