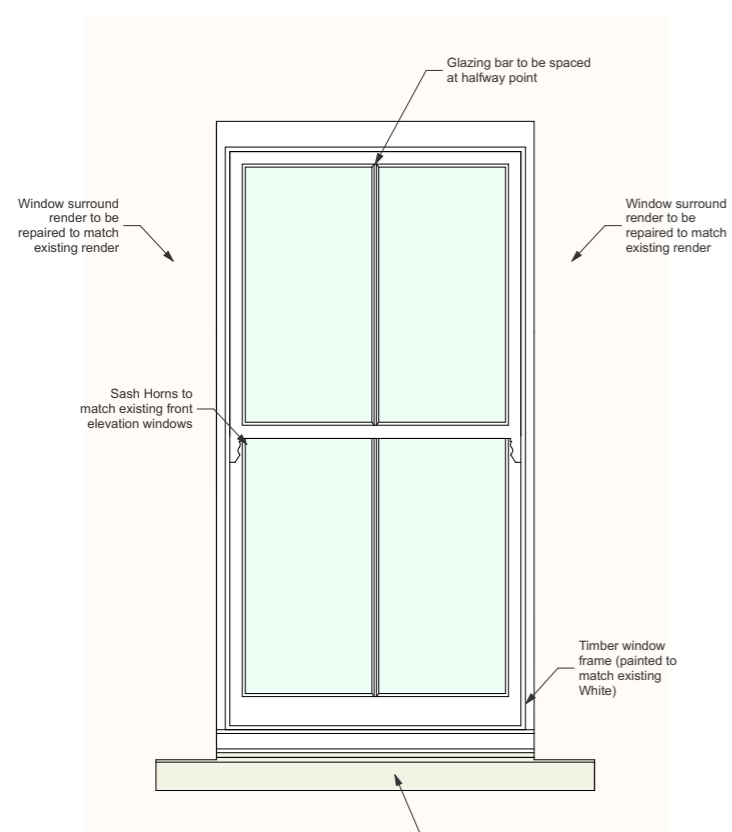
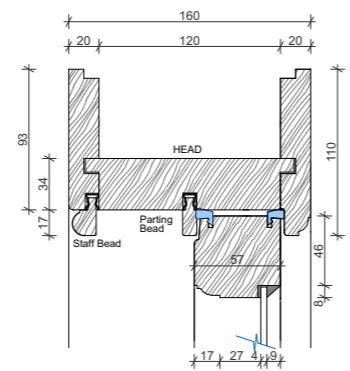


©Copyright
 Prior to commencement of works on the site, the contractor should check all dimensions on the drawings and check against actual site dimensions, and report any discrepancies immediately to the Architect.

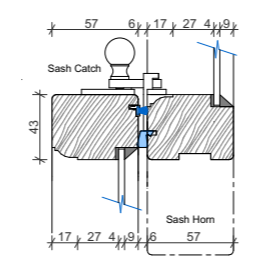
Written dimensions are to take precedence over scaled dimensions.



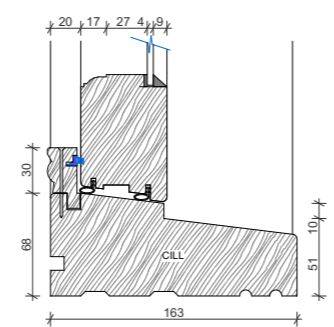
Second Floor Window Elevation
 WE-3-03
 1:20



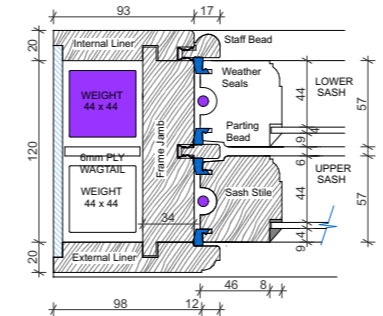
Window Head Detail
 1:5



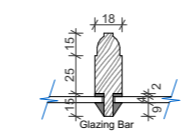
Window Meeting Rail Detail
 1:5



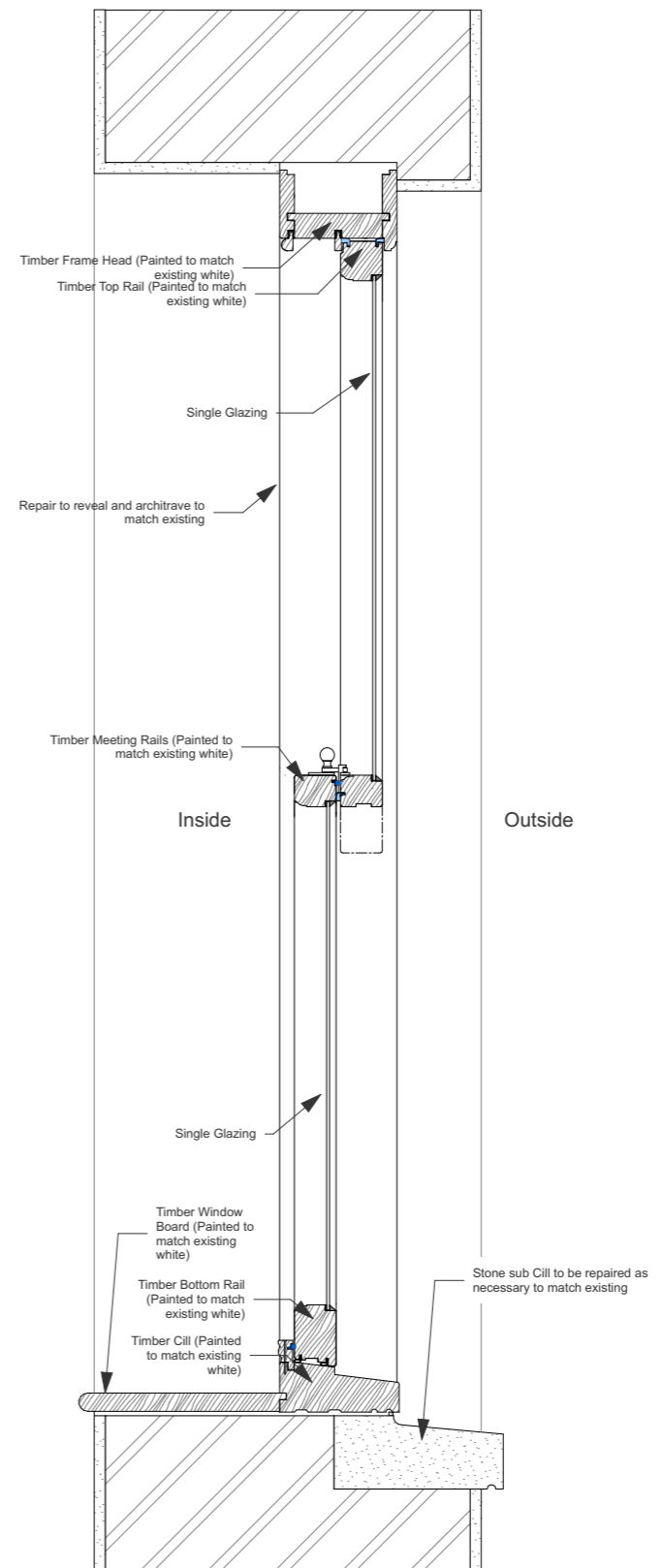
Window Cill Detail
 1:5



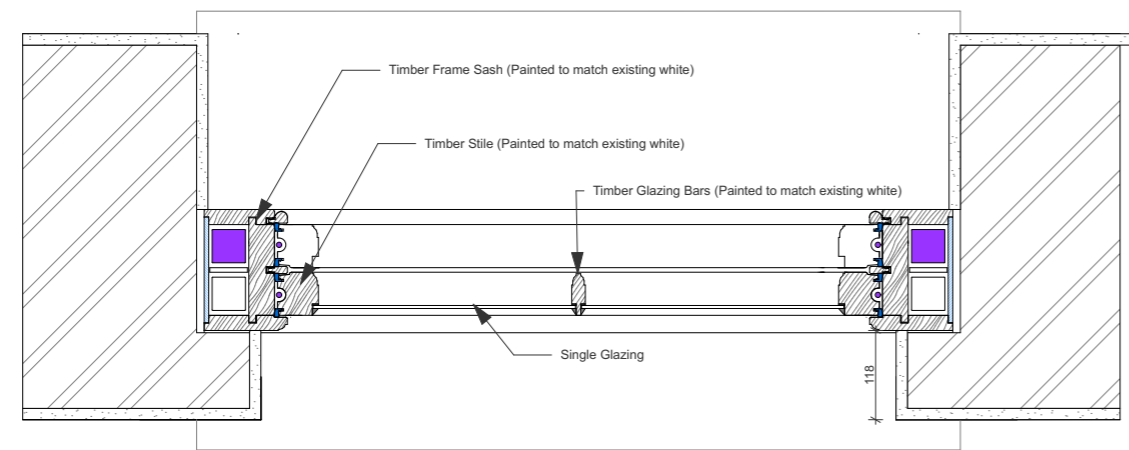
Window Jamb Detail
 1:5



Window Glazing Bar Detail
 1:5



Second Floor Window Section
 WE-3-03
 1:10



Second Floor Window Plan
 WE-3-03
 1:10

Rev	Date	By	Description
03	2020.10.06	FB	Amended to Single Glazing
02	2020.07.20	PT	Drawing renamed
01	2020.02.21	FB	First Issue

noma architects

14 Guinea Street
 Redcliffe, Bristol BS1 6SX
 T 0117 929 2041
 E mail@noma-uk.com
 www.noma-uk.com

Job
15-16 Brunswick Square, York Street, Bristol

Client
Pirate Studios Ltd

Drawing Title
No. 15 Second Floor - New Rear Window WE-3-03 Details

Drawing Number	Number	Revision
2139	3409	03

Tender
 Purpose of Issue Scale
1:20, 1:10, 1:5

FB	PT	2020-02-21	A3			
Drawn	Checked	Issue Date	Size			
2139	Noma	00 00 00	A 00			
NOMA Project No	Owner	Zone	Level	Type	Role	Status