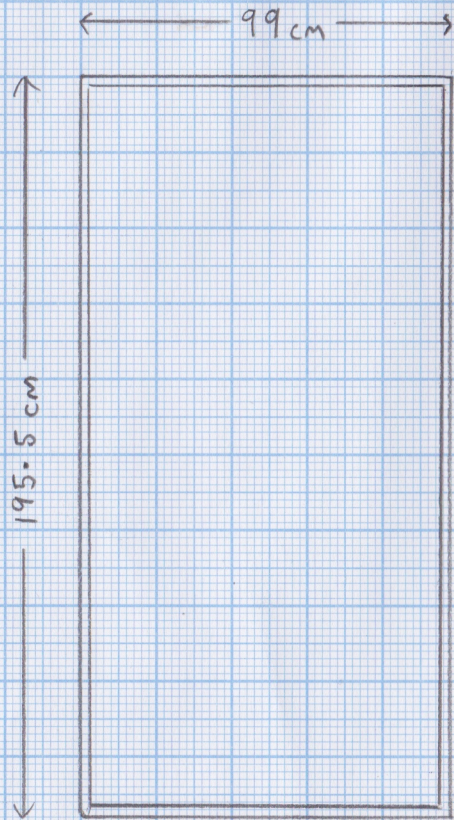
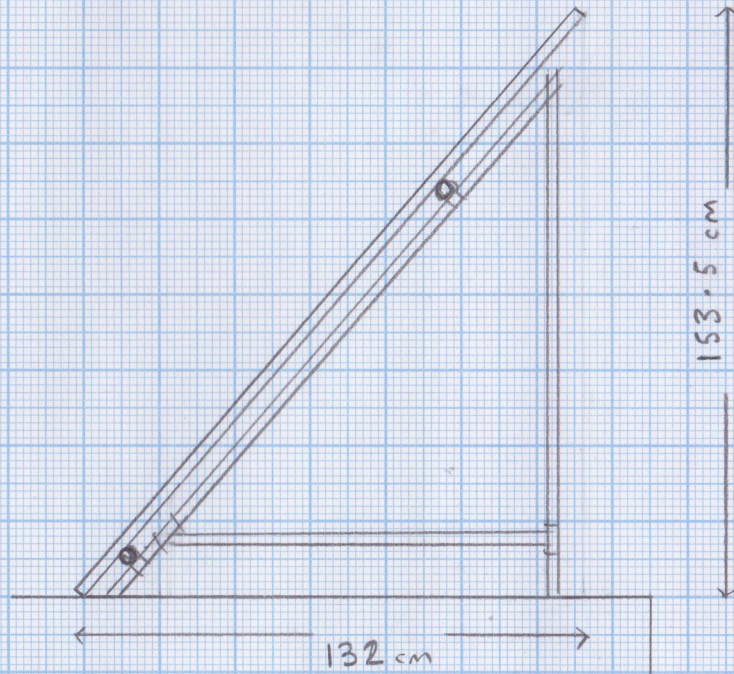


SINGLE PANEL DIMENSIONS



SIDE ELEVATION OF PANELS WITH SUPPORT STRUCTURE - (SCAFFOLD TUBE)



SCALE 1:20