

GENERAL NOTES

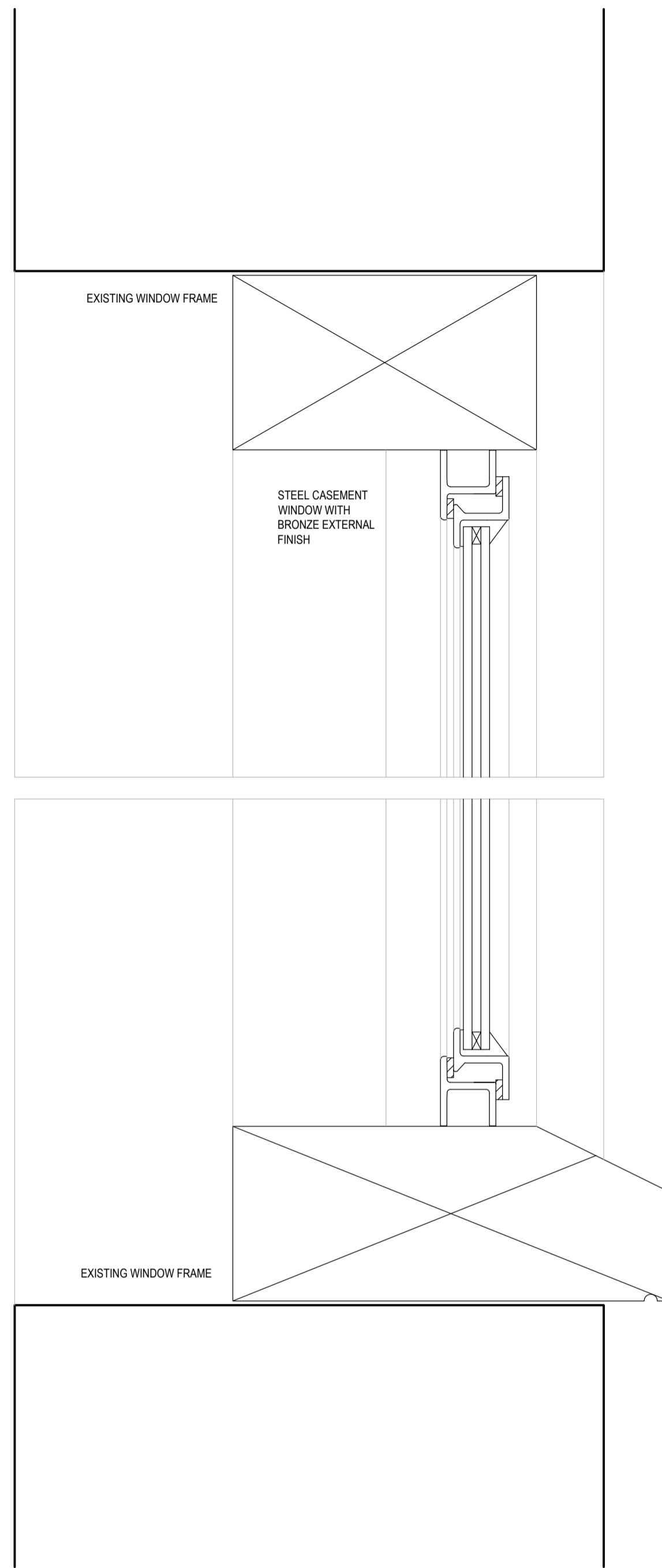
ALL DIMENSIONS TO BE CHECKED ON SITE PRIOR TO COMMENCEMENT OF WORKS - PLEASE REPORT ERRORS OR OMISSIONS TO THE ARCHITECT.

THIS DRAWING HAS BEEN PRODUCED FOR THE PURPOSES OF PLANNING AND BUILDING REGULATIONS APPROVALS ONLY AND IS NOT INTENDED TO BE A FULL WORKING DRAWING.

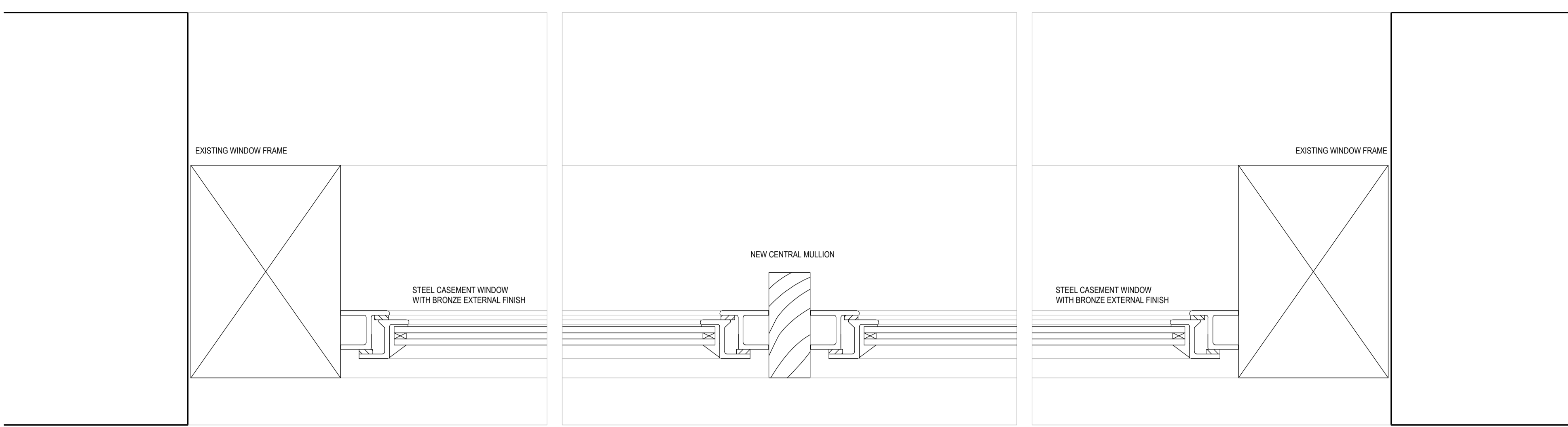
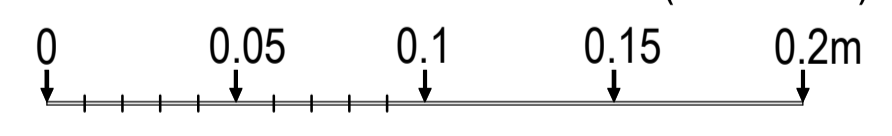
THIS DRAWING IS TO BE READ IN CONJUNCTION WITH ANY WRITTEN SPECIFICATIONS, SCHEDULES OF WORK AND STRUCTURAL ENGINEER'S DETAILS AS APPROPRIATE.

THIS DRAWING IS THE COPYRIGHT OF PUMP HOUSE DESIGNS AND ANY FURTHER REPRODUCTION OF THE PLAN IS NOT PERMITTED WITHOUT OBTAINING PRIOR CONSENT.

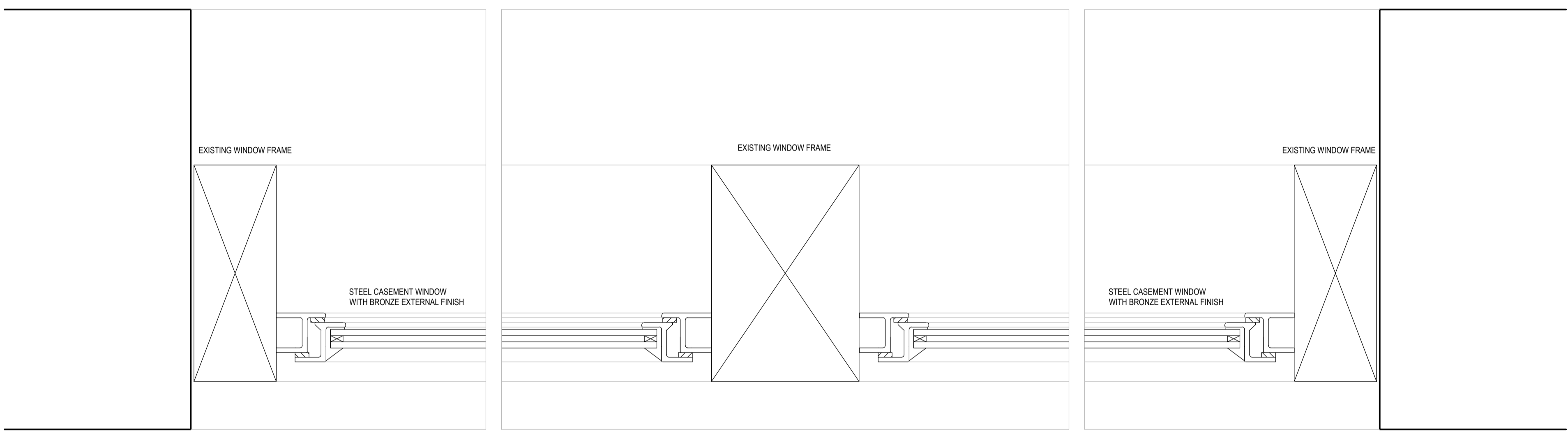
© CROWN COPYRIGHT - LICENCE NO. 100032237



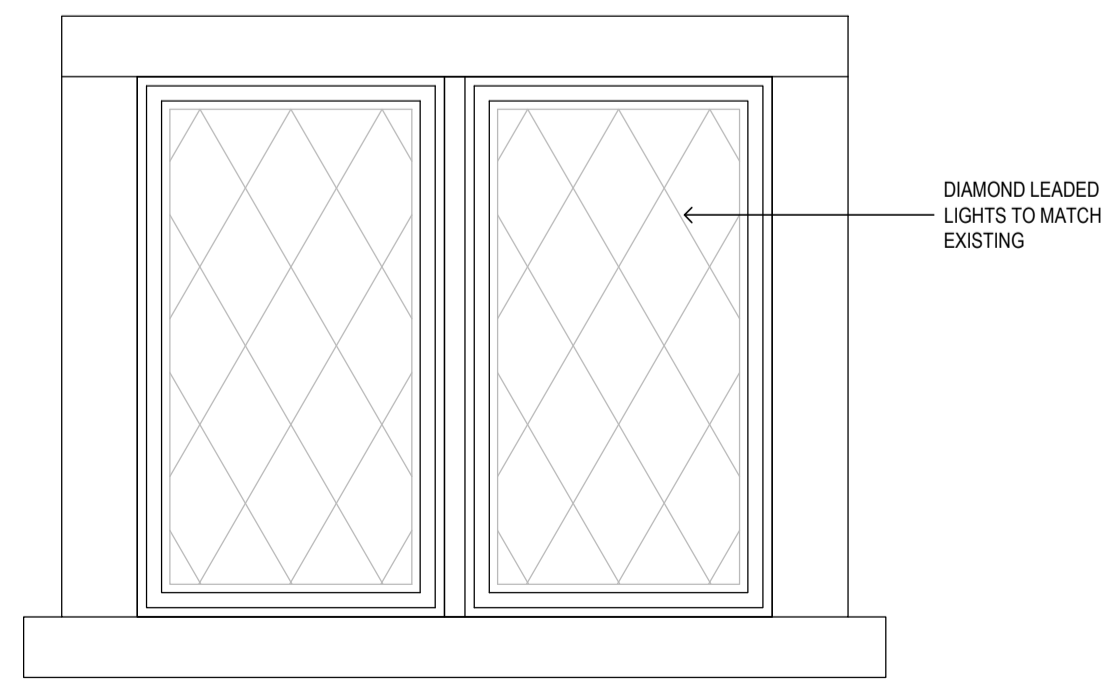
VERTICAL WINDOW SECTION (W1 & W2)
1:2



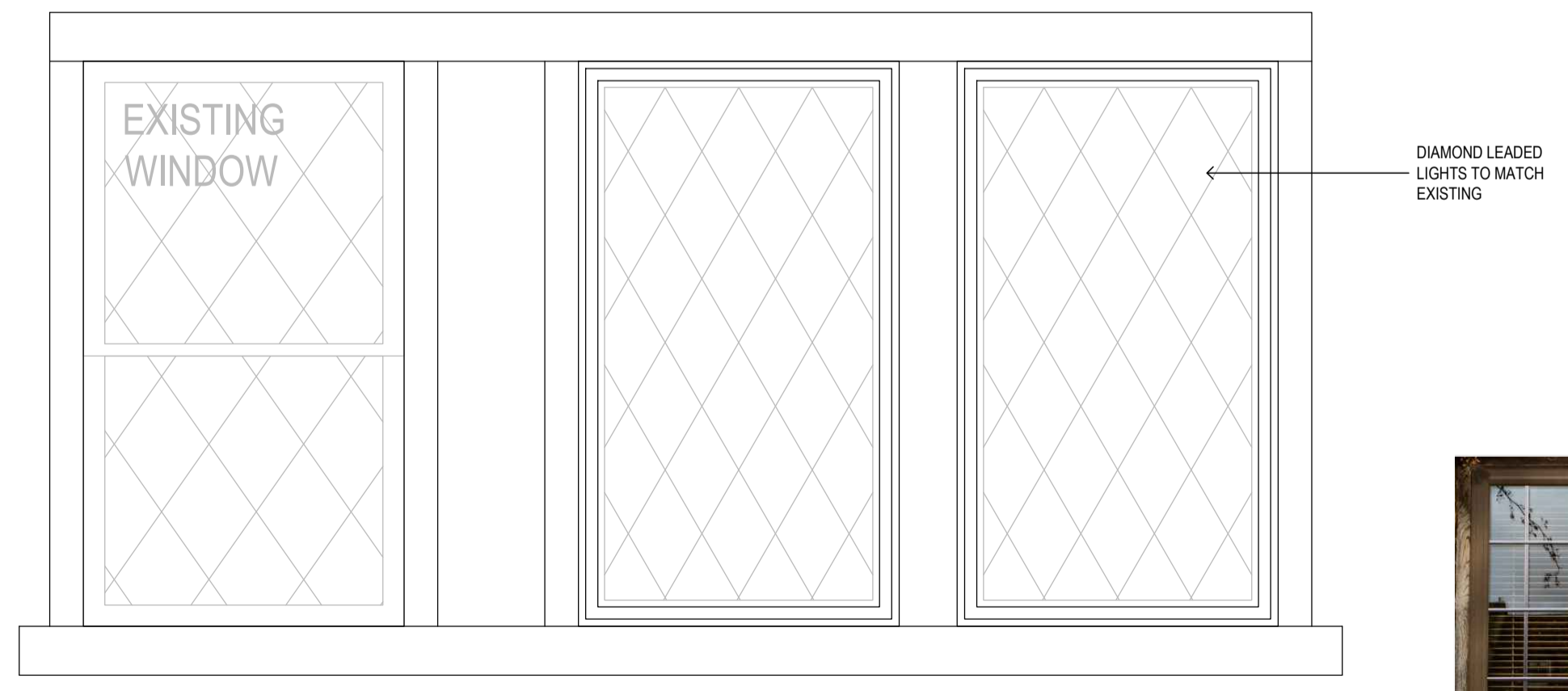
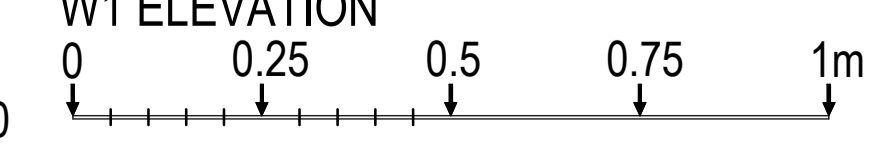
HORIZONTAL WINDOW SECTION (W1)



HORIZONTAL WINDOW SECTION (W2)



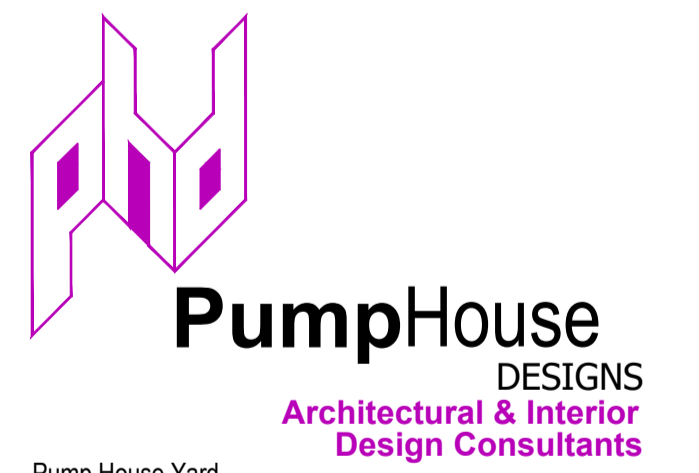
W1 ELEVATION
1:10



W2 ELEVATION



IMAGE TO SHOW EXAMPLE OF STEEL CASEMENT WINDOW WITH BRONZE FINISH



F			
E			
D			
C			
B			
A	JOINERY DETAILS ADDED	SMG	FEB 21

**BOXHURST OAST
SANDHURST
CRANBROOK**
for Mr J Woodnutt

REPLACEMENT WINDOWS JOINERY DETAILS

DRAWN BY - SMG
DATE - FEBRUARY 2021
SCALE - 1:2 & 1:10 @ A1

DRAWING No. 6694 / 20 / 1 / A