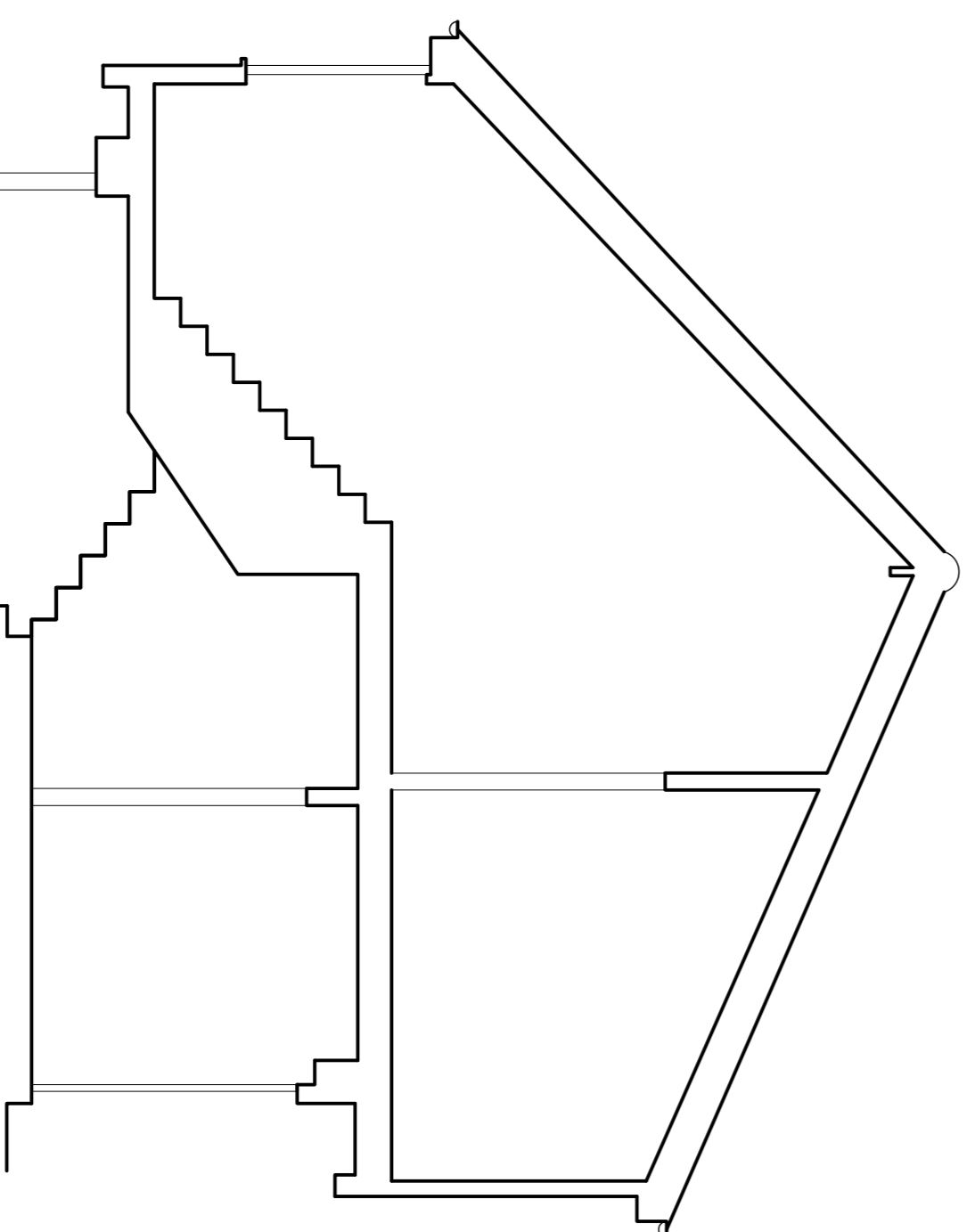
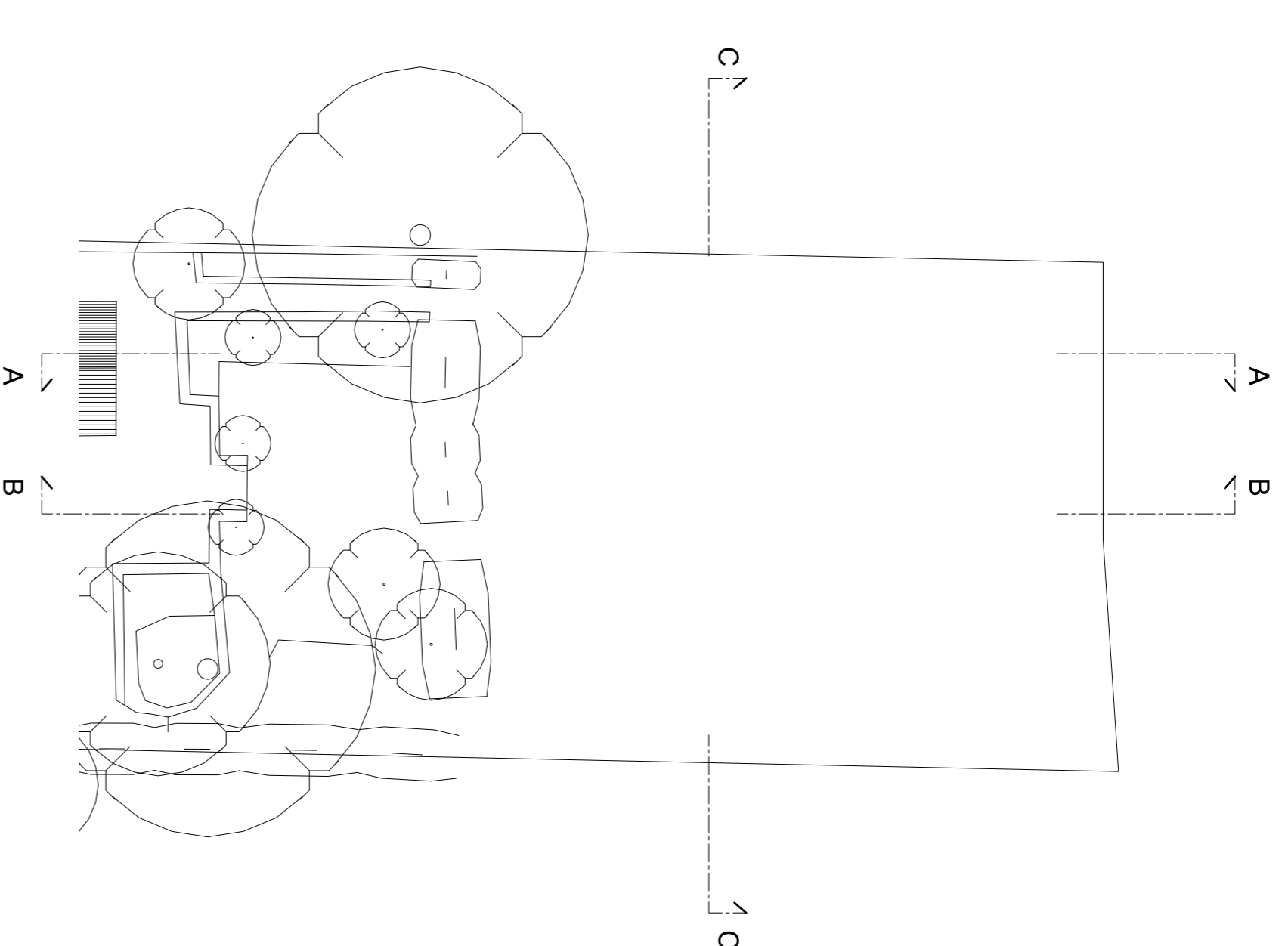
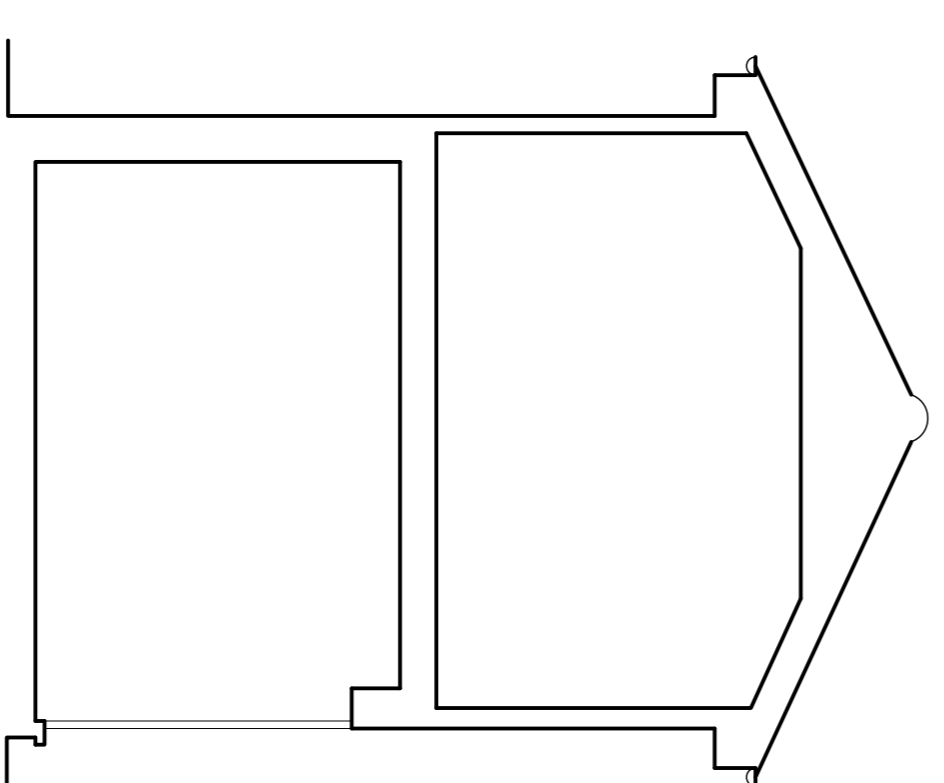


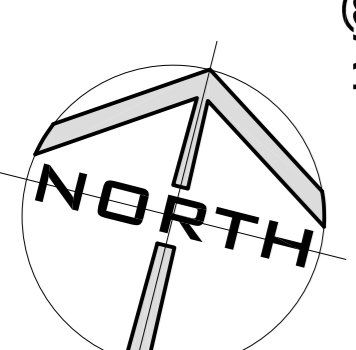
SECTION A-A - AS EXISTING 1:50 @A1



SECTION B-B - AS EXISTING 1:50 @A1



SECTION C-C - AS EXISTING 1:50 @A1



PROJECT <b>Alterations and Extension to</b> <b>11 Mill Lane, Millley</b> <b>Oxford OX4 4EJ</b>		PROJECT <b>Pendery Architecture &amp; Heritage Ltd</b> 23 Orchard Road Hook Millon Banbury Oxon OX15 5JX d.pendery@pendery.com 07482 55757	
CLIENT <b>Mr P &amp; Mrs E Anderson</b>		L16. DRAWING MADE AND CHECKED IN ACCORDANCE WITH BS1192:2019. SCALE FROM THE DRAWING. DATE OPENED FOR COMMENT ON 17/04/2020. ALL DIMENSIONS TO LINE UNLESS OTHERWISE STATED.	
TITLE <b>Sections - As Existing</b>		LAYER VERSION SCALE <b>As Shown</b>	DATE <b>Fa/21</b>
		SWG NO. <b>2020/04</b>	REV