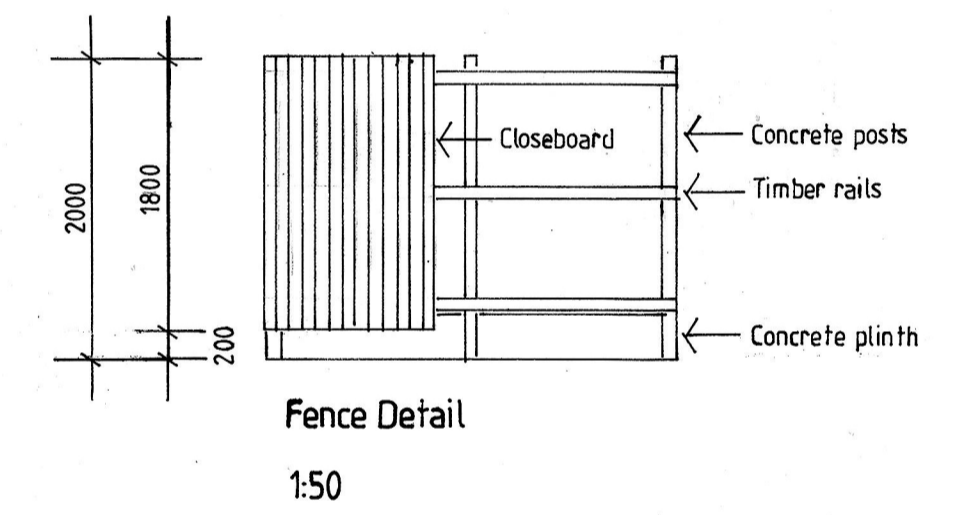
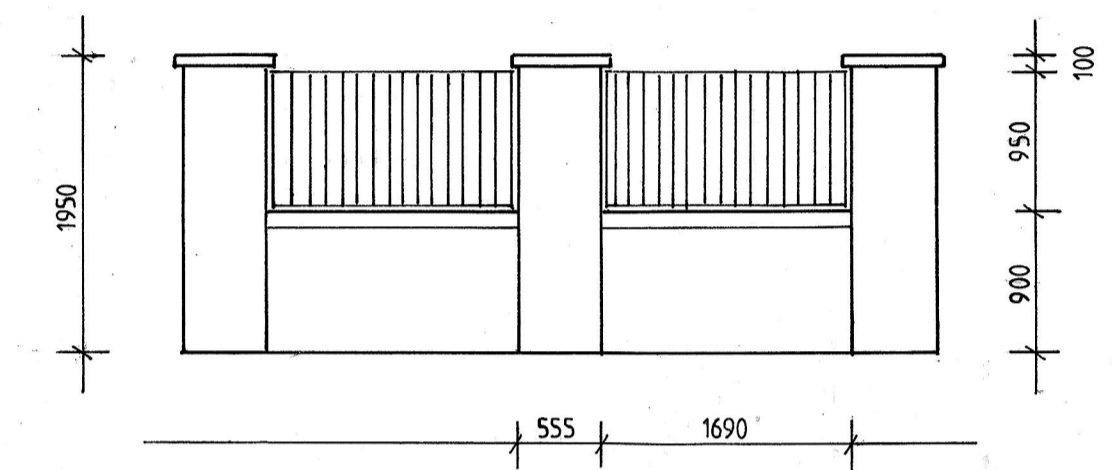
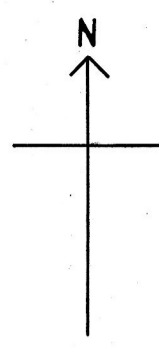
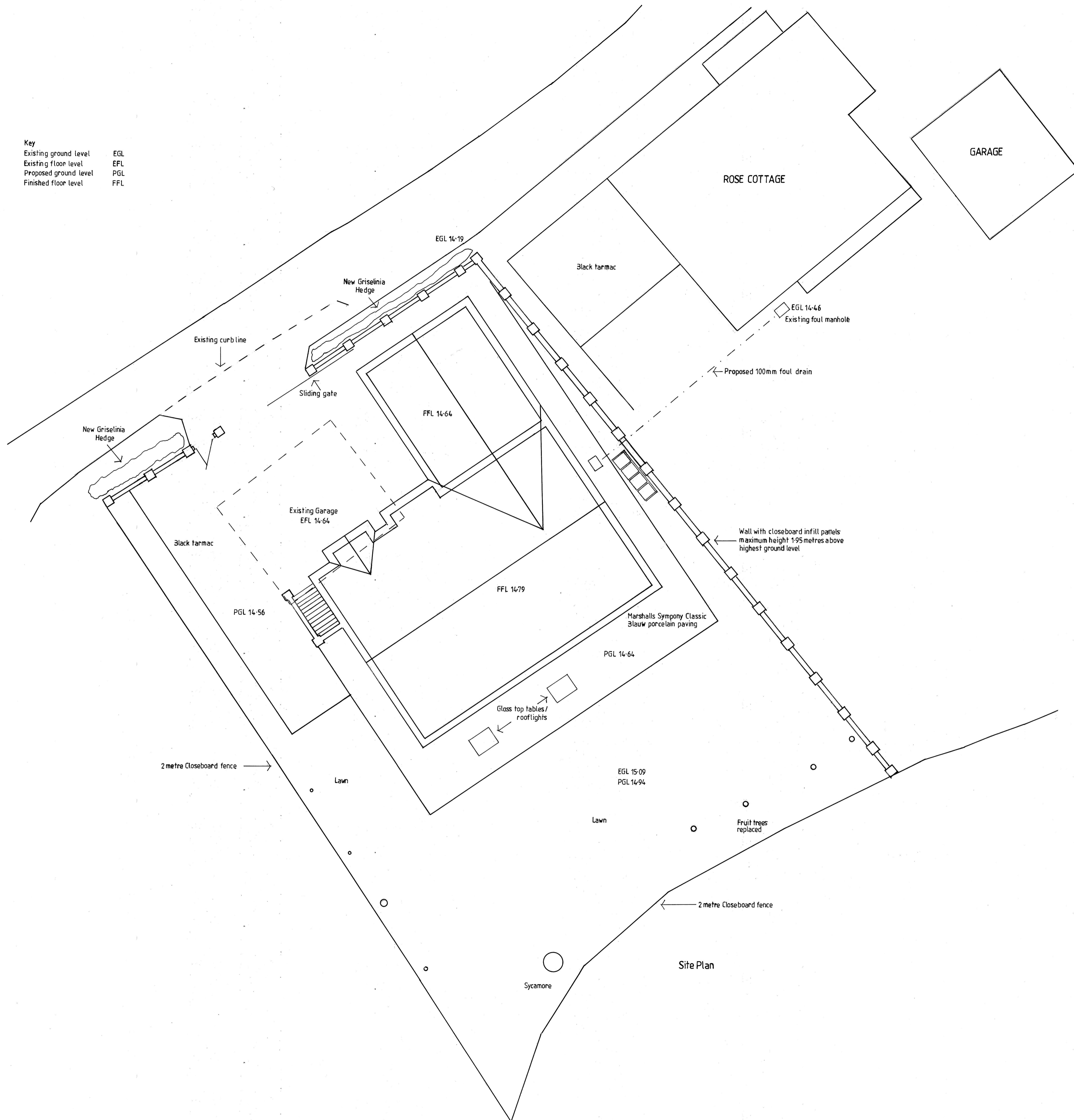


Key  
 Existing ground level EGL  
 Existing floor level EFL  
 Proposed ground level PGL  
 Finished floor level FFL



M.L. Gill  
 Cliffe Cottage  
 Church Road  
 Warton  
 PR4 1BD  
 Tel. 07973 799337  
 Email. mgill@hptmail.com

Location  
 Rose Cottage  
 Bryning Lane  
 Warton  
 PR4 1TN

Project  
 Development Of One  
 Detached Dwelling

Title  
 Site Plan

Scale Date  
 1:100@A1 21 Feb 21