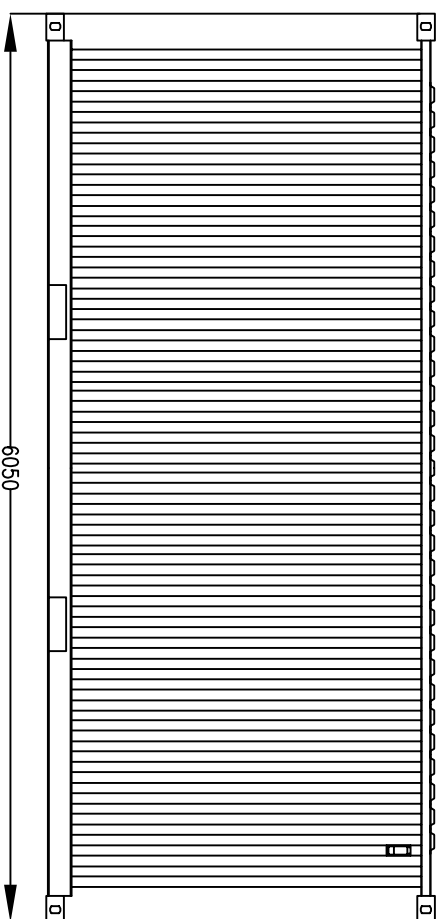
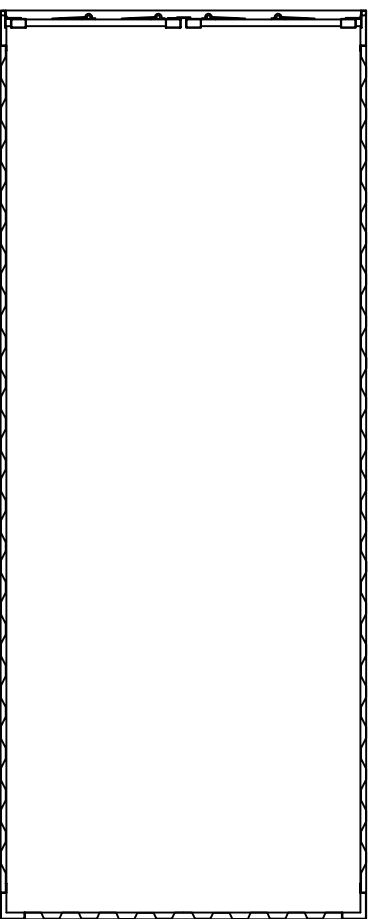


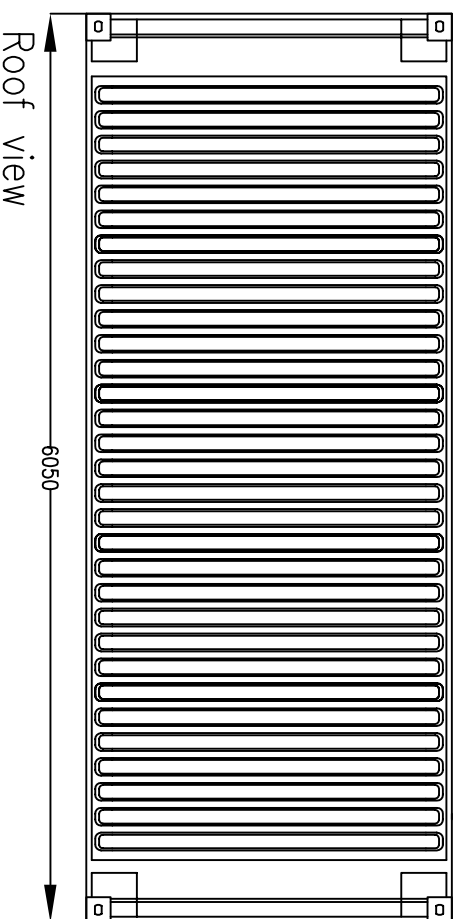
Shipping Container 20ft  
 Steel construction set on existing surface  
 Dimensions 6050 x 2430 x 2590



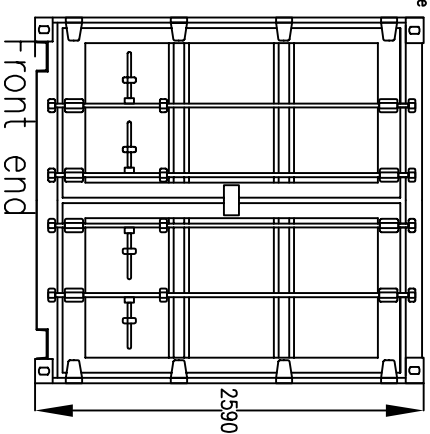
Side Elevation



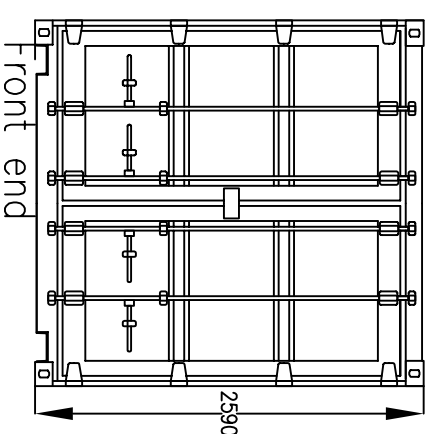
section



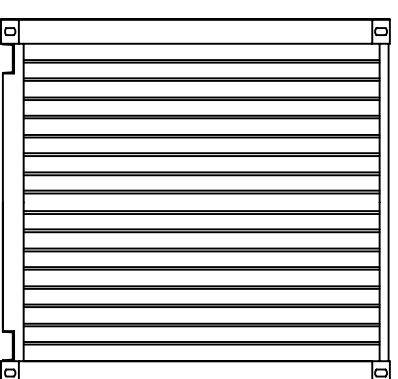
Roof view



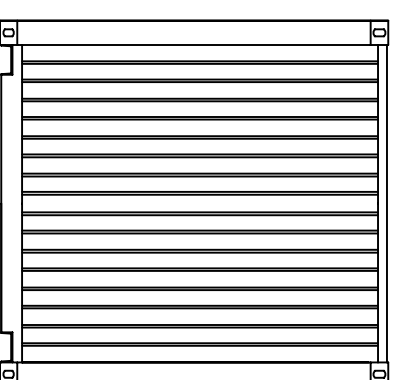
-front end



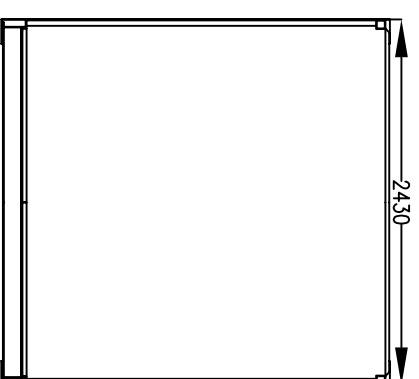
-front end



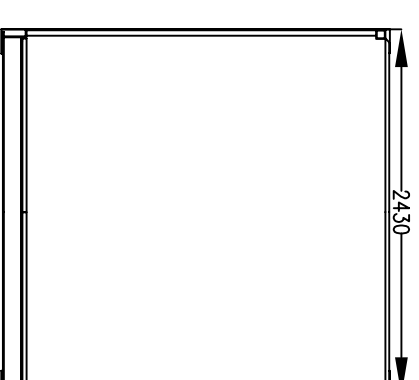
rear end



rear end



cross section



# Planning Drawings - 20ft Shipping container dimensions and details

**SCALE:** 1:50 @ A3

**DRAWN BY:** Gareth Smyth

**SUBMISSIONS**

**DESCRIPTION:** Issued for Review **DATE:** 15/10/2020

**Shipping Container**

- Side Elevation
- Cross Section
- Section
- Rear end
- Front end
- Roof View