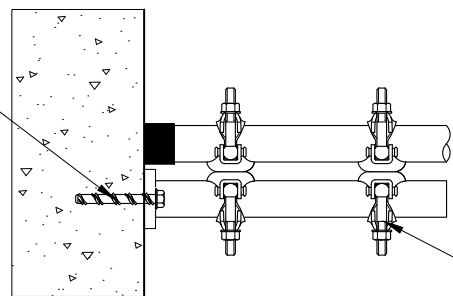


GENERAL NOTES

1. THIS DRAWINGS IS CONFIDENTIAL AND IS THE EXCLUSIVE PROPERTY OF GKR SCAFFOLDING LIMITED. NO UNAUTHORISED USE, COPY OR DISCLOSURE IS TO BE MADE, AND IS TO BE RETURNED UPON REQUEST.
2. THIS DRAWING HAS BEEN PREPARED FROM DETAILS SUPPLIED BY THE CLIENT. THE CLIENT MUST CHECK THAT WE HAVE CORRECTLY INTERPRETED THEIR REQUIREMENT AND ALL LOADINGS, DIMENSIONS, DETAILS, ERECTION AND DISMANTLING SEQUENCES ARE CORRECT AND PRACTICABLE. NO ALTERATION OF LIVE LOAD MAY BE MADE WITHOUT PRIOR WRITTEN CONSENT.
3. ALL DIMENSIONS ARE AS STATED OR AS CALCULATED. WRITTEN DIMENSIONS SHALL TAKE PRECEDENCE OVER SCALED DIMENSIONS. DIMENSIONS IN MM UNLESS STATED OTHERWISE.

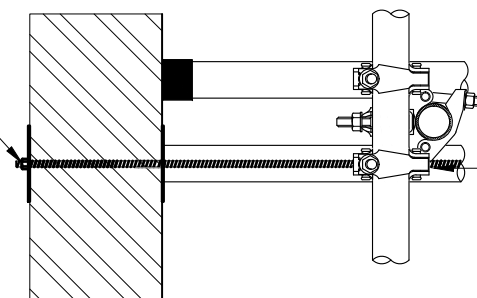
M12 100mm FLANGE HEAD. MINIMUM EMBEDMENT DEPTH 90mm. MIN CAPACITY 7.50 kN



TIE TUBE TO BE FIXED TO INSIDE AND OUTSIDE STANDARDS OF SCAFFOLD WITH LOAD BEARING COUPLERS.

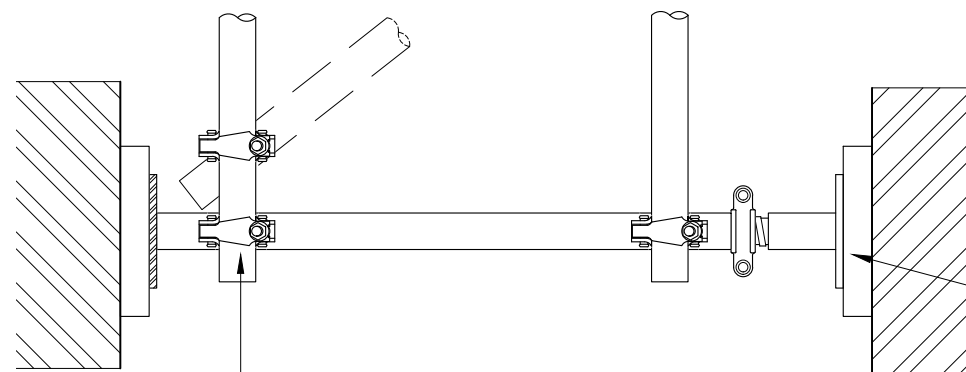
BUTT TIE DETAIL
SCALE - 1:10

M12 THREADED ROD TO BE INSTALLED THROUGH MORTAR GAP IN BRICK WORK. M12 BOLT AND WASHER TO BE FIXED TIGHT TO FRONT AND BACK OF WALL.



TIE TUBE TO BE FIXED TO INSIDE AND OUTSIDE STANDARDS OF SCAFFOLD WITH LOAD BEARING COUPLERS.

THREADED ROD TIE DETAIL
SCALE - 1:10

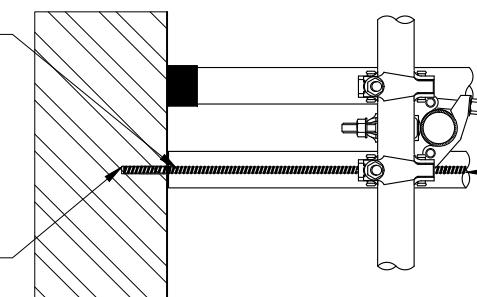


FIX SCREW JACK TIGHT AGAINST EXISTING STRUCTURE.

ALL CONNECTIONS TO BE DONE USING CLASS 'B' LOAD BEARING COUPLERS.

REVEAL TIE DETAIL
SCALE - 1:10

M12 THREADED ROD TO CONNECT TO EXPANDING ANCHOR. ENSURE THREAD ROD IS FIXED WITH WASHER AND BOLT.



TIE TUBE TO BE FIXED TO INSIDE AND OUTSIDE STANDARDS OF SCAFFOLD WITH LOAD BEARING COUPLERS.

M12 EXPANDING ANCHOR TO BE FIXED TO BRICK WORK. MAX EMBEDMENT DEPTH 60mm.

EXPANDING ANCHOR TIE DETAIL
SCALE - 1:10

02	21/05/20	REVISED TO CLIENT COMMENTS	T	SV	.
01	15/05/20	REVISED TO CLIENT COMMENTS	T	SV	LL
00	16/04/20	ORIGINAL ISSUE	T	SV	LL
REV	DATE	DESCRIPTION	STATUS	DRN	CHD

DRG. STATUS

TENDER



CLIENT



SITE

NORMAN SHAW BUILDING

00NSN-4216-WTS-90-XX-W-XX-
DR-00036(Rev. C01)
NSN GKR RESTRAINED SCAFFOLDING
PROPOSED TIE DETAILS
October 2020