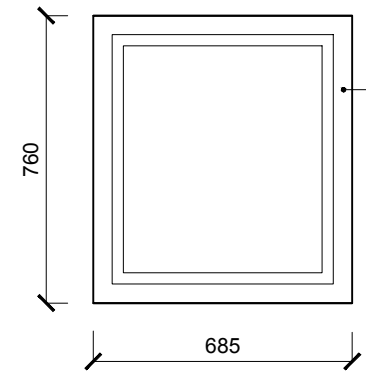


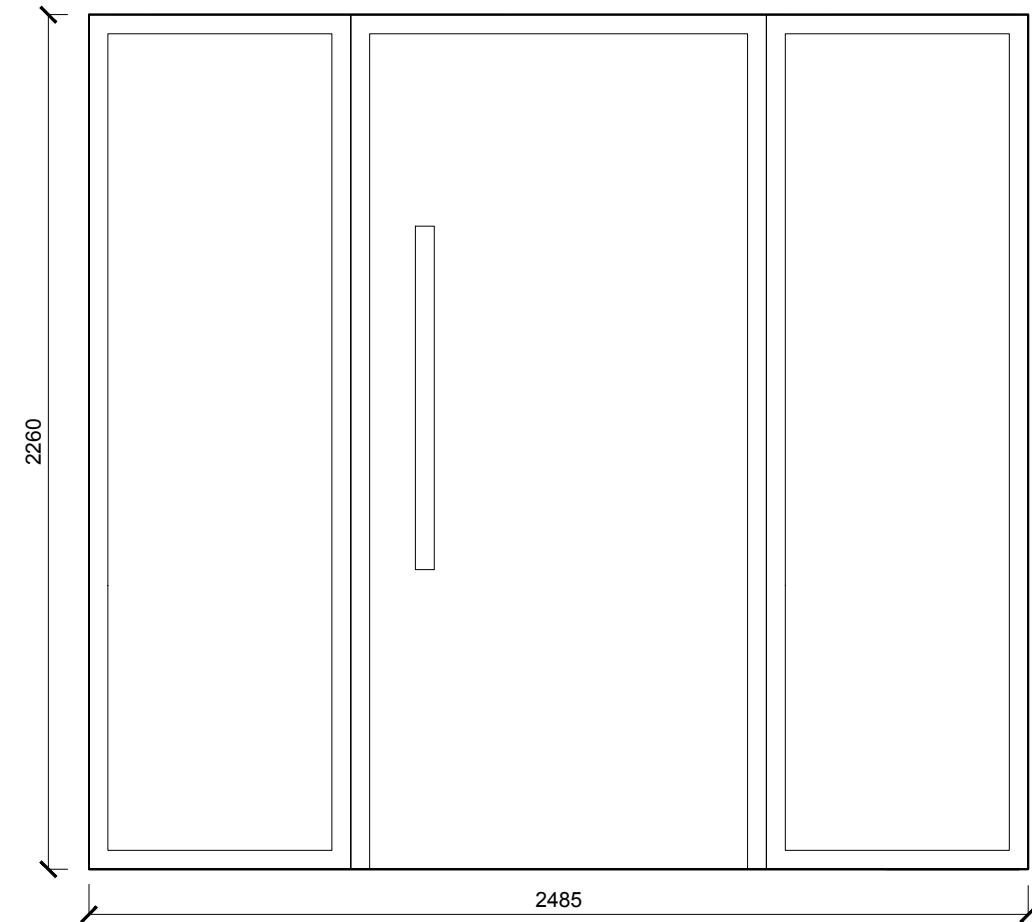
Type A  
Side hung  
Windows W1, W5, W6, W7, W8

Slimline double glazed  
timber casement  
window

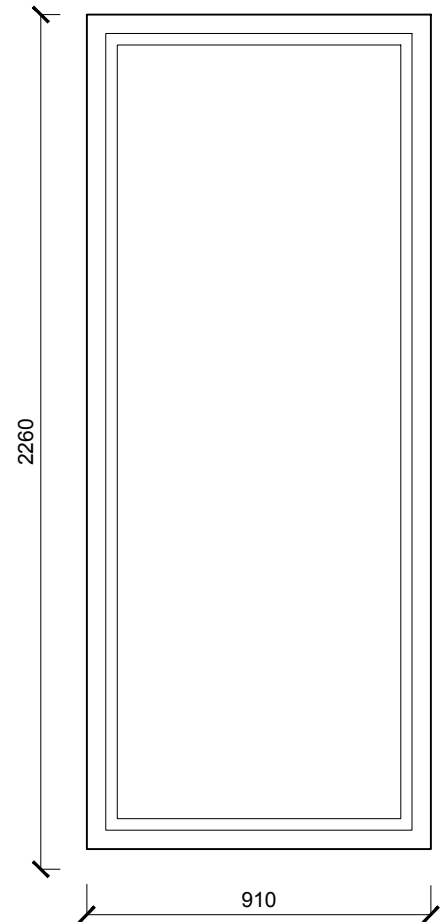


Type B  
Windows W2, W3, W4

Slimline double glazed  
timber casement  
window



XD1



XD2

Window Schedule - External					
Win. No.	Width (mm)	Height (mm)	Cill height (mm)	Head height (mm)	Comments / Additional Info.
W1	2260	1275			
W2	685	760			
W3	685	760			
W4	685	760			
W5	2260	1285			
W6	2260	1285			
W7	2260	1285			
W8	2260	1285			
W9	910	910			
W10	2485 (overall)	1285			
W11	1585 (overall)	1285			
W12	1585 (overall)	1285			

Note 1. To be read with drawings 12, 13, 15, 16, 17, 18.

Note 2. Windows W10, W11 and W12 may require wider mullions (as shown on elevations) to accommodate the external brick mullions.

Window Schedule - Internal					
Win. No.	Width (mm)	Height (mm)	Cill height (mm)	Head height (mm)	Comments / Additional Info.
W13	400	1800			Timber frame
W14	400	1800			Timber frame



**AGATHOCLIS  
BECKMANN**  
Landscape Architects  
Onion Farm  
Warburton Lane  
Lymm, Cheshire  
WA13 9TW  
Tel: 01925 75 3403

Onion Farm Cottage

Proposed Windows & Doors

KB / CK	1:20 @ A3	725/01/30

Note: All dimensions are structural openings