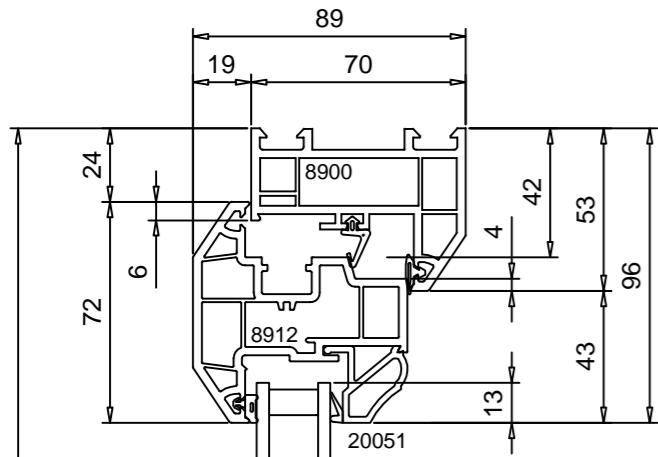
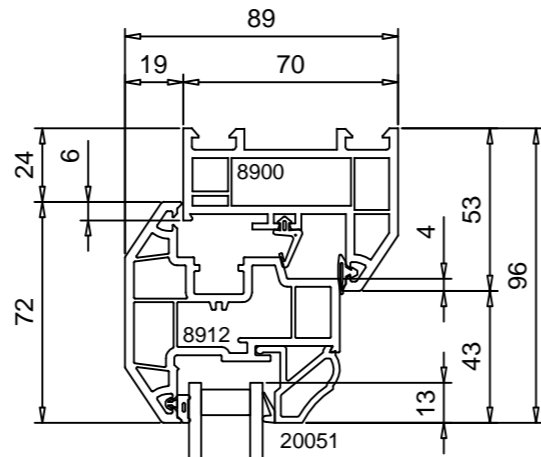


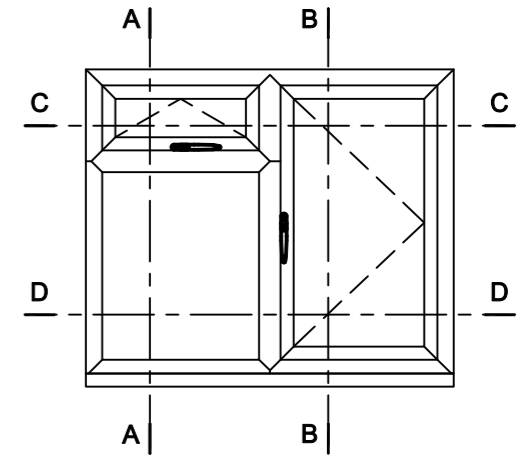
Section A-A



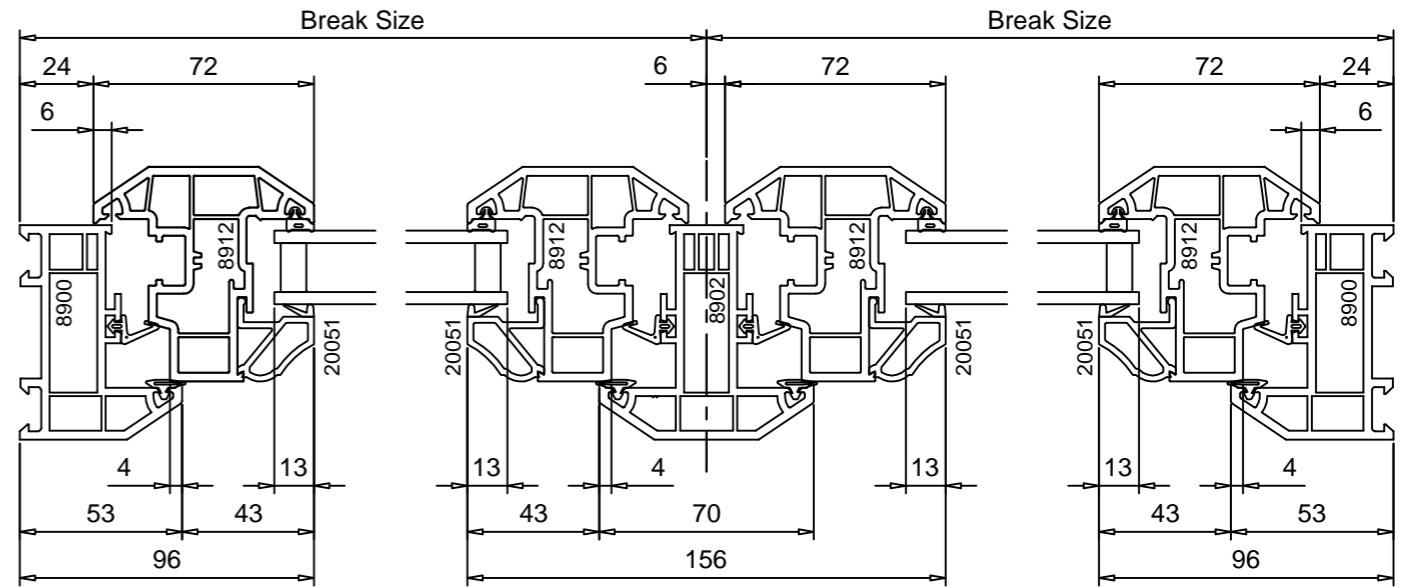
Section B-B



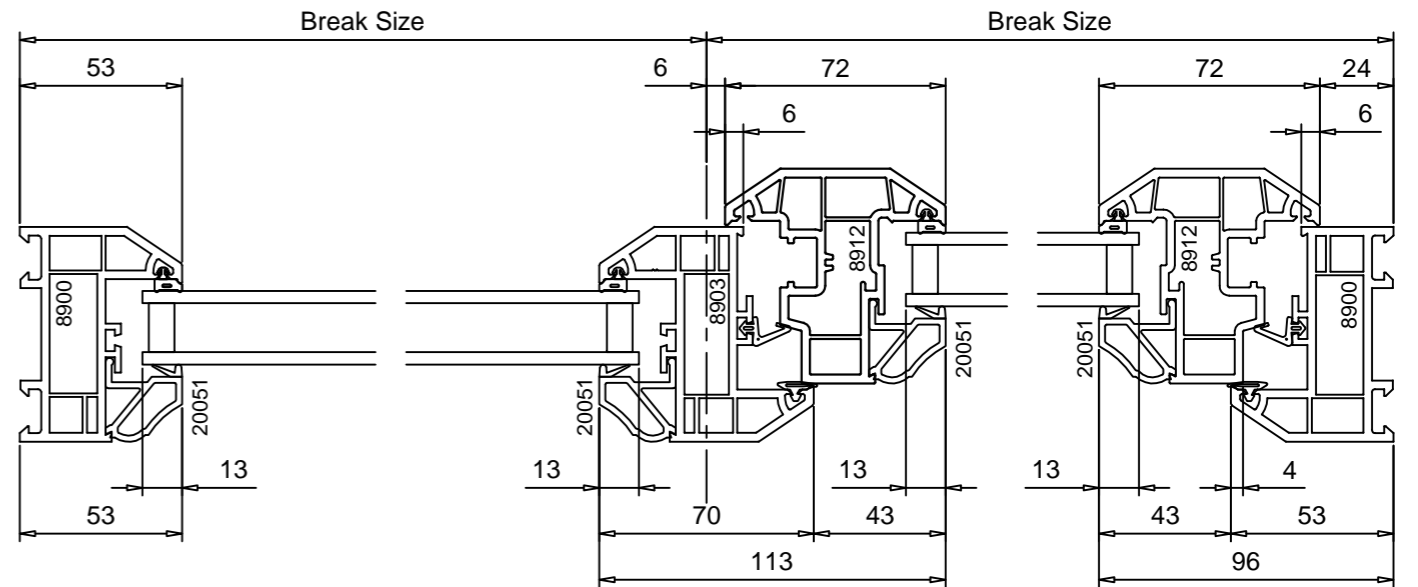
Casement Gaskets		
10839		Glazing Rebate Glazing Gasket
8343		Sash Rebate Centre Seal
8399		Sash Rebate Bubble Seal



Section C-C



Section D-D



Rev J	Description Redrawn	Name G.R.L.	Date 09.03.15		Name Gavin Lewin	Date 09.03.2015	Scale N.T.S
Rev K	Description New 8912 profile added.	Name P.A.L.	Date 27.05.16		Design Approval	Technical Approval	Sheet A3
Rev L	Description Spacer & glass coverage amended.	Name P.A.L.	Date 25.12.17	Title PVCU Casement Window			
Rev	Description	Name	Date	Product Codes UH		Drawing No. GA/070	Rev L

Break Size

Break Size

Break Size

Break Size

Break Size

Break Size

6

5

4

3

2

1