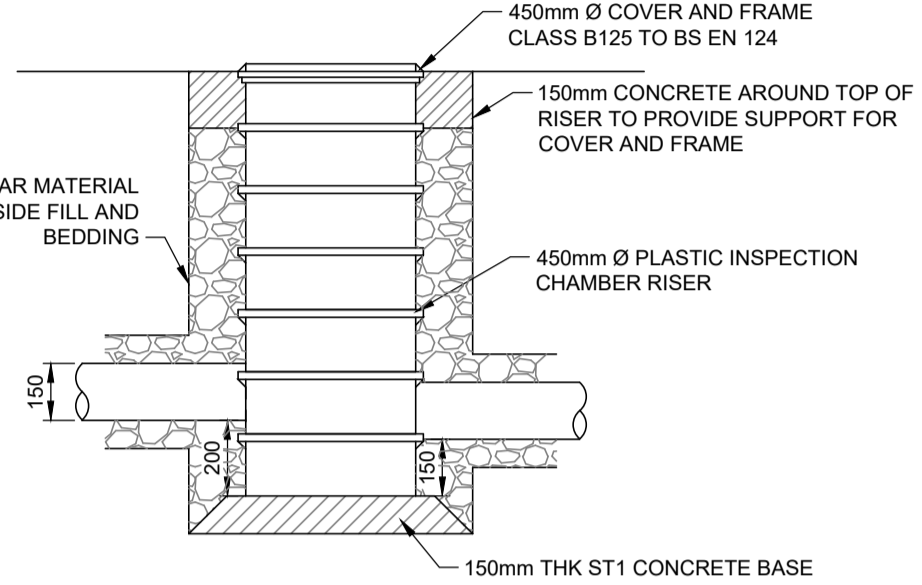


DRAINAGE DITCH
SCALE 1:25



SILT TRAP
SCALE 1:20

- LEGEND**
- PROPOSED CUT OFF DITCH
 - - - - - PROPOSED CUT OFF DRAIN
 - - - - - PROPOSED CARRIER PIPE
 - PROPOSED SILT TRAP

Drawing No. 3547:112		Revision D	
Revisions	Date	Drm.	
A FOOTPATHS AND EMBANKMENT NOTES ADDED.	28.07.20	IW	
B LAYOUT REVISED FOR PLANNING ISSUE	10.09.20	IW	
C CONNECTION OF EXISTING ADDED. ATTENUATION ADDED.	01.02.21	IW	
D LAYOUT UPDATED	19.02.21	IM	

**APPROVAL
DRAWING**

**HIGHLAND HOUSING
ALLIANCE**

**ST ANDREWS ROAD
DINGWALL**

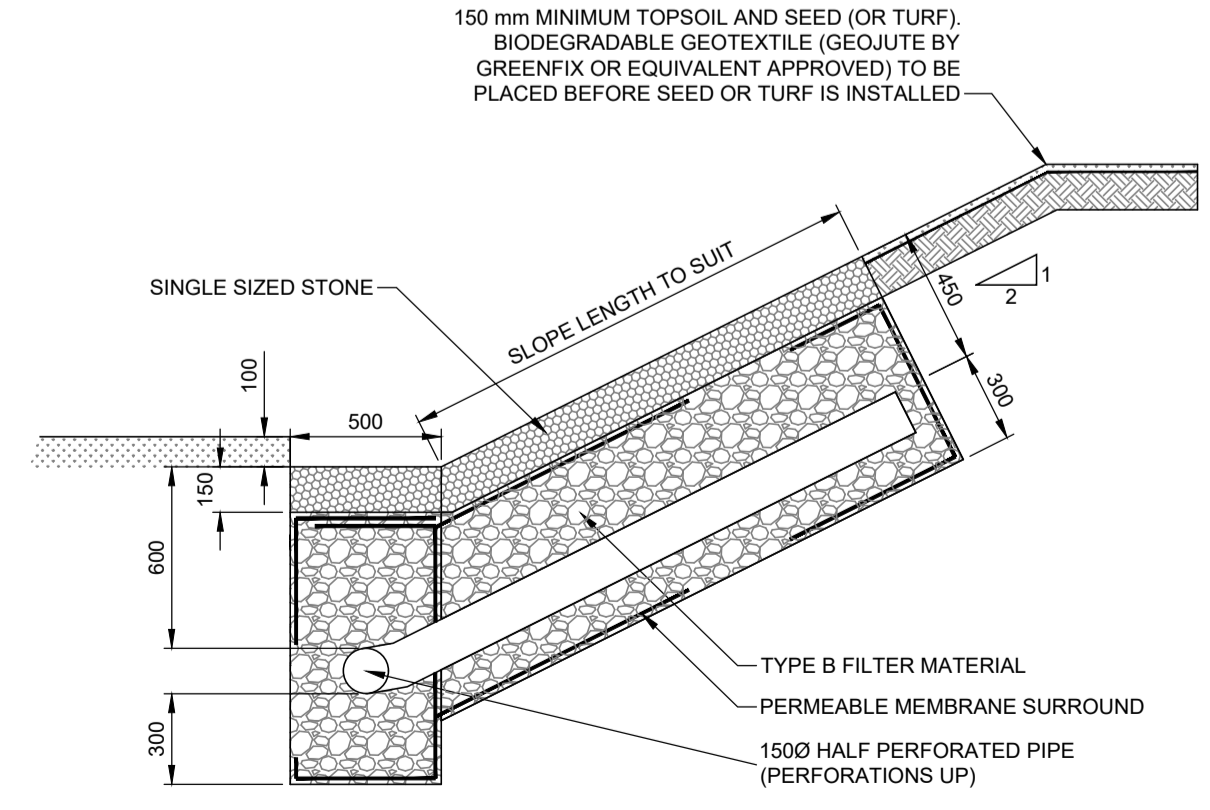
LAND DRAINAGE

Drawn: IW	Ck'd: Date:	Scale: 1:500 (A1)
Date: JUL 20	Date:	DO NOT SCALE

consulting engineers
hga

HGA(UK) Ltd
Darach House
Stoneyfield Business Park
Inverness IV2 7PA
T: 01463 221717
F: 01463 224275
email: hga@hgagroup.co.uk

Drawing No. 3547:112		Revision D	
--------------------------------	--	----------------------	--



CUT OFF DRAIN

NOTE SLOPE DRAINS TO BE INSTALLED AS REQUIRED TO ENSURE SLOPE IS ADEQUATELY DRAINED
SCALE 1:25