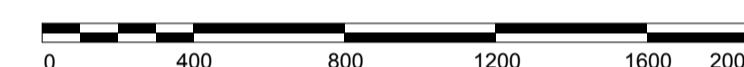
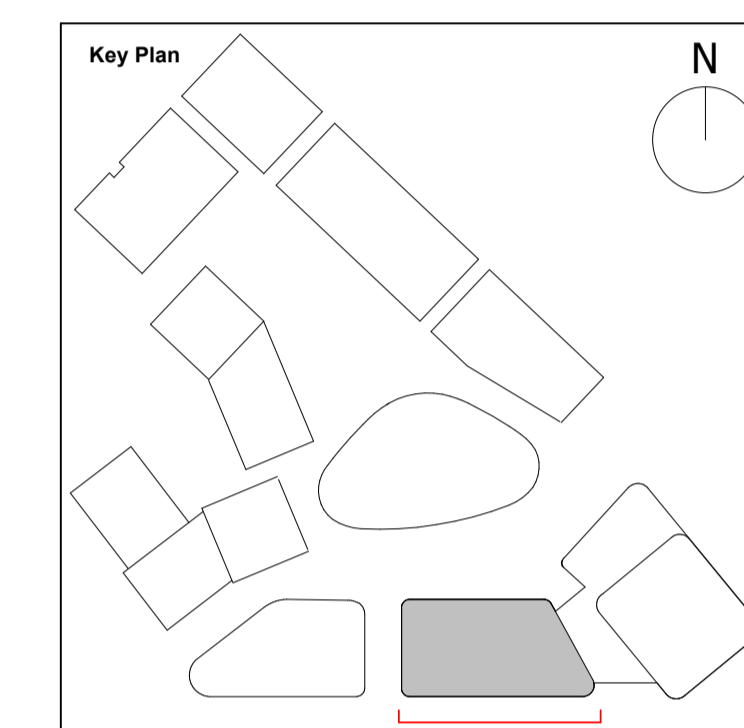
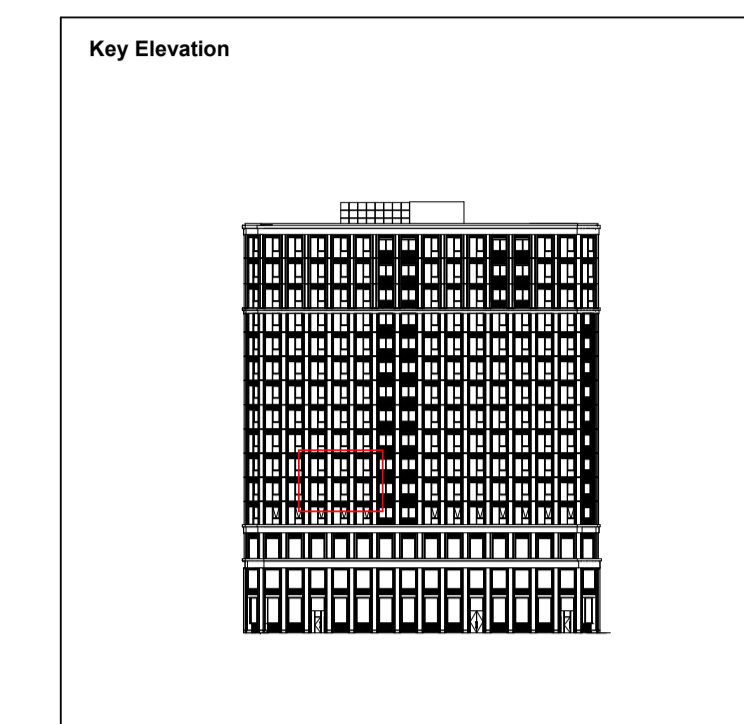
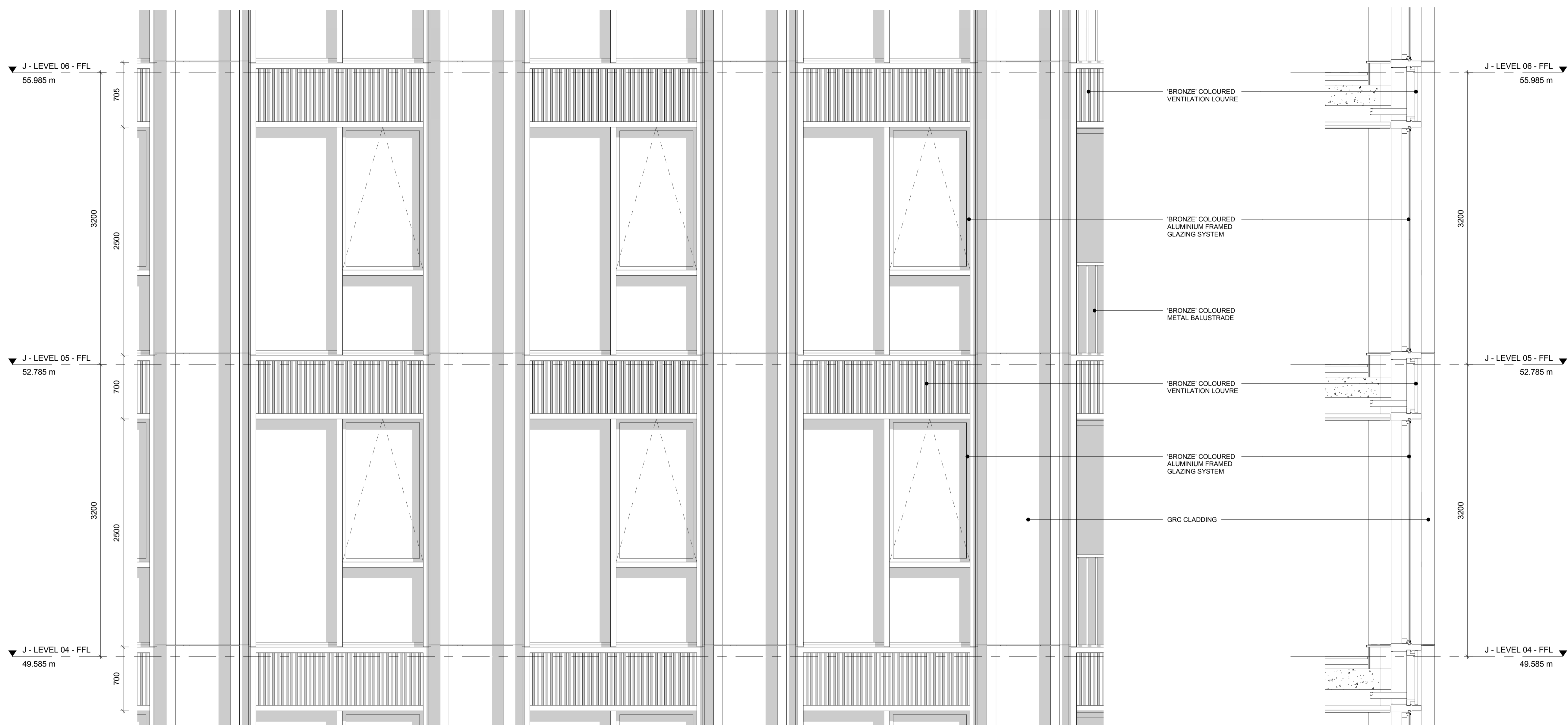


Do not scale from this drawing. All dimensions to be checked on site. All omissions and discrepancies to be reported to the Architect immediately

This work is copyright and shall not be reproduced or used for any other purpose without the written permission of Squire and Partners.



1 Block J - Bay Study 03 - Elevation
1:25

3 Block J - Bay Study 03 - Section
1:25

Issued for Planning	26/03/21	P1
Description	Date	Chk Rev

SQUIRE & PARTNERS

Squire and Partners LLP
The Department Store
248 Ferndale Road, London SW9 8FR
T: 020 7278 5555

info@squireandpartners.com
www.squireandpartners.com

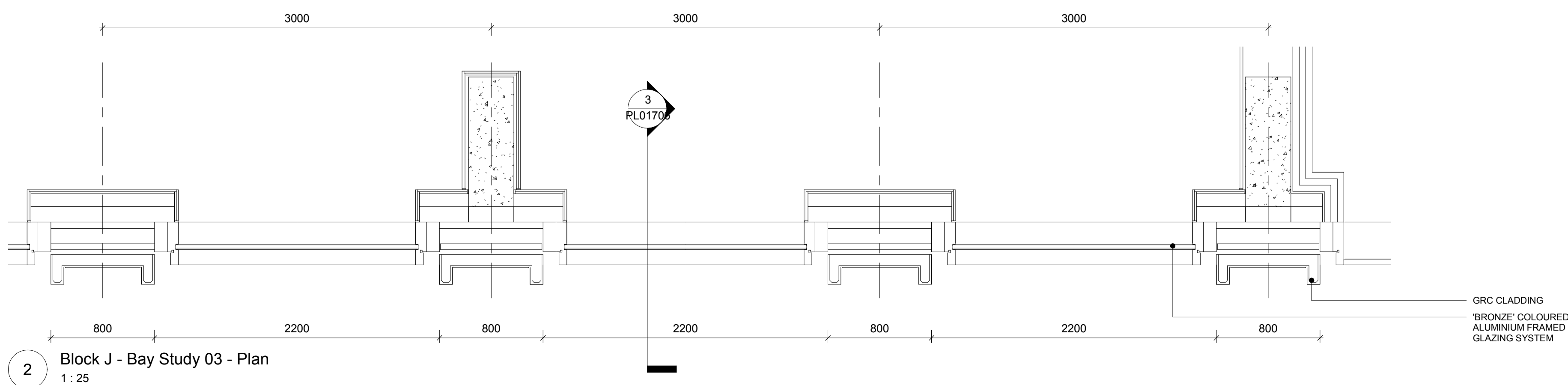
Project
Paddington Green Police Station

Title
Proposed Elevation
Block J
Typical Bay Study 03

Suitability Status
S2 For Information

Date 26.03.21 Scale @ ISO A1 1:25 Job Number 15044

Drawing Number 15044-SQP-ZZ-ZZ-DB-A-PL01706 Revision P1



2 Block J - Bay Study 03 - Plan
1:25