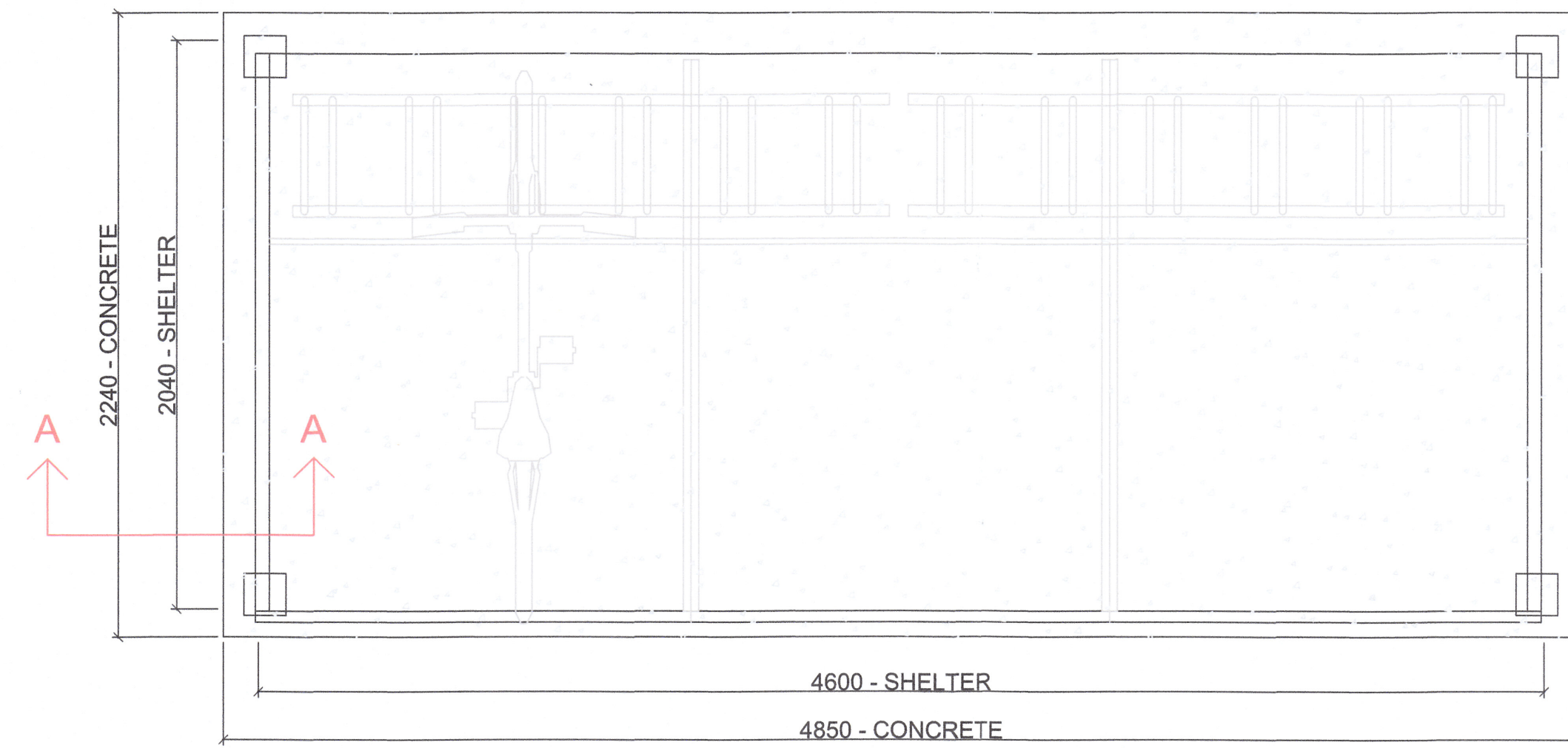
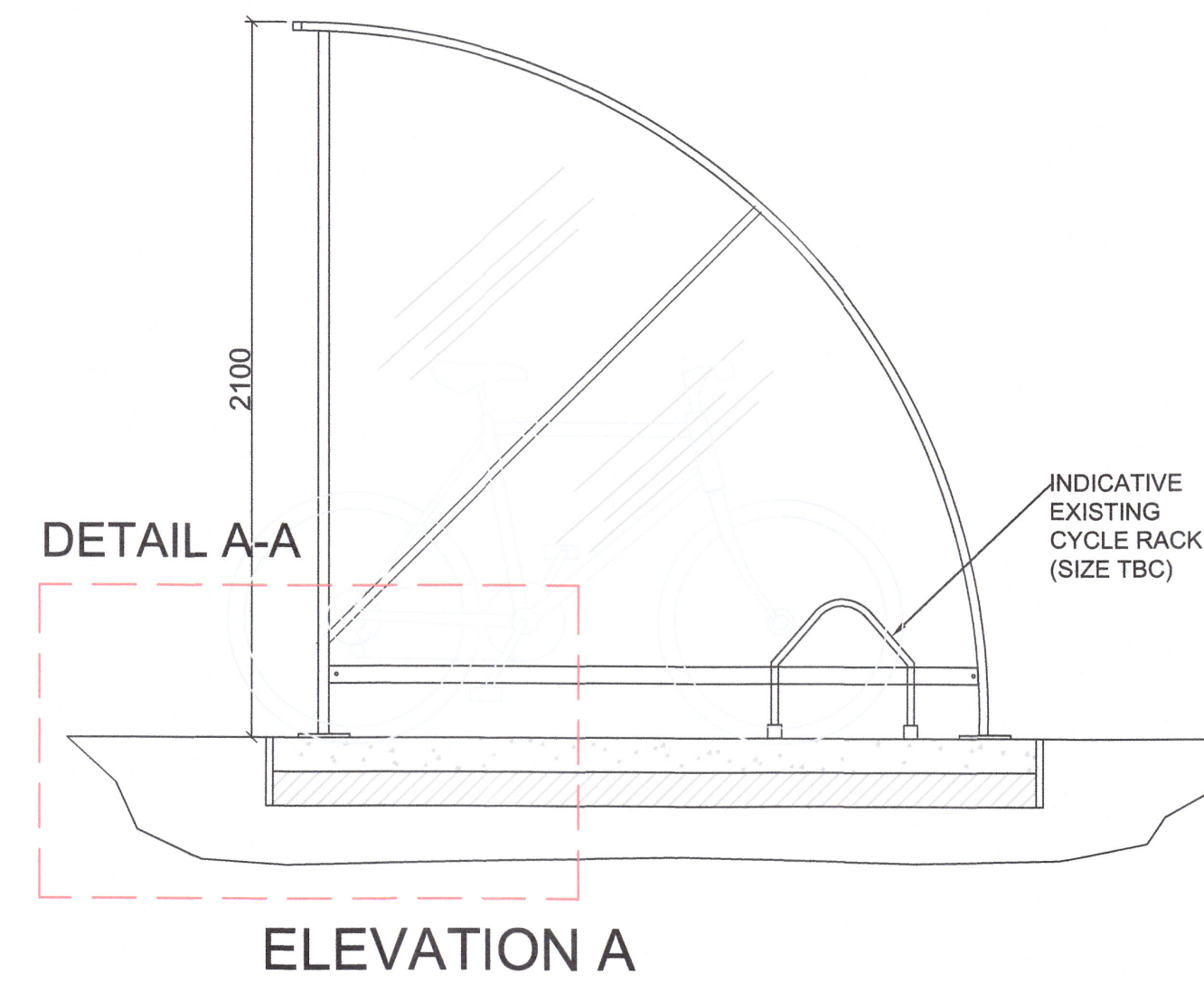


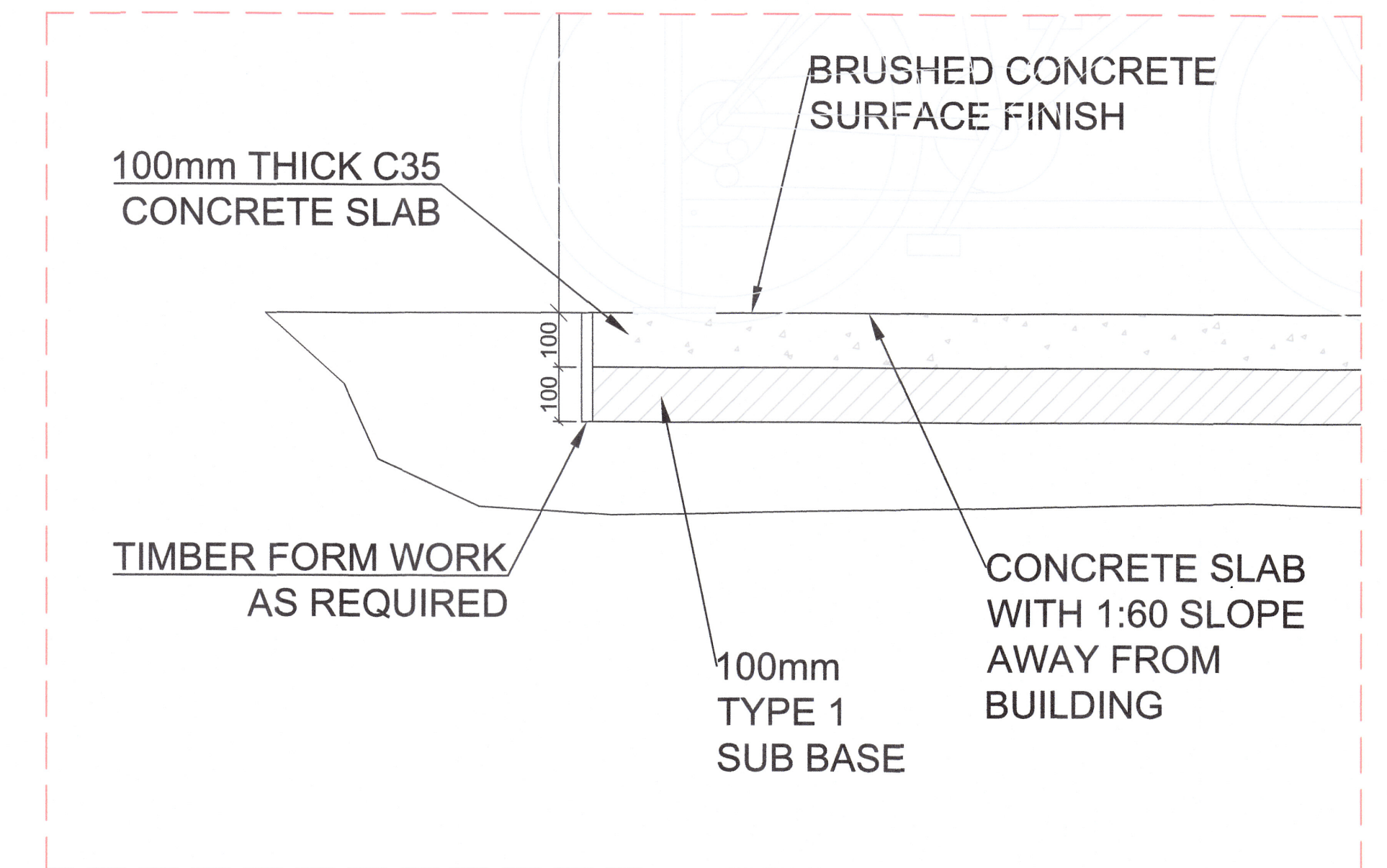
CYCLE SHELTER PLAN LAYOUT



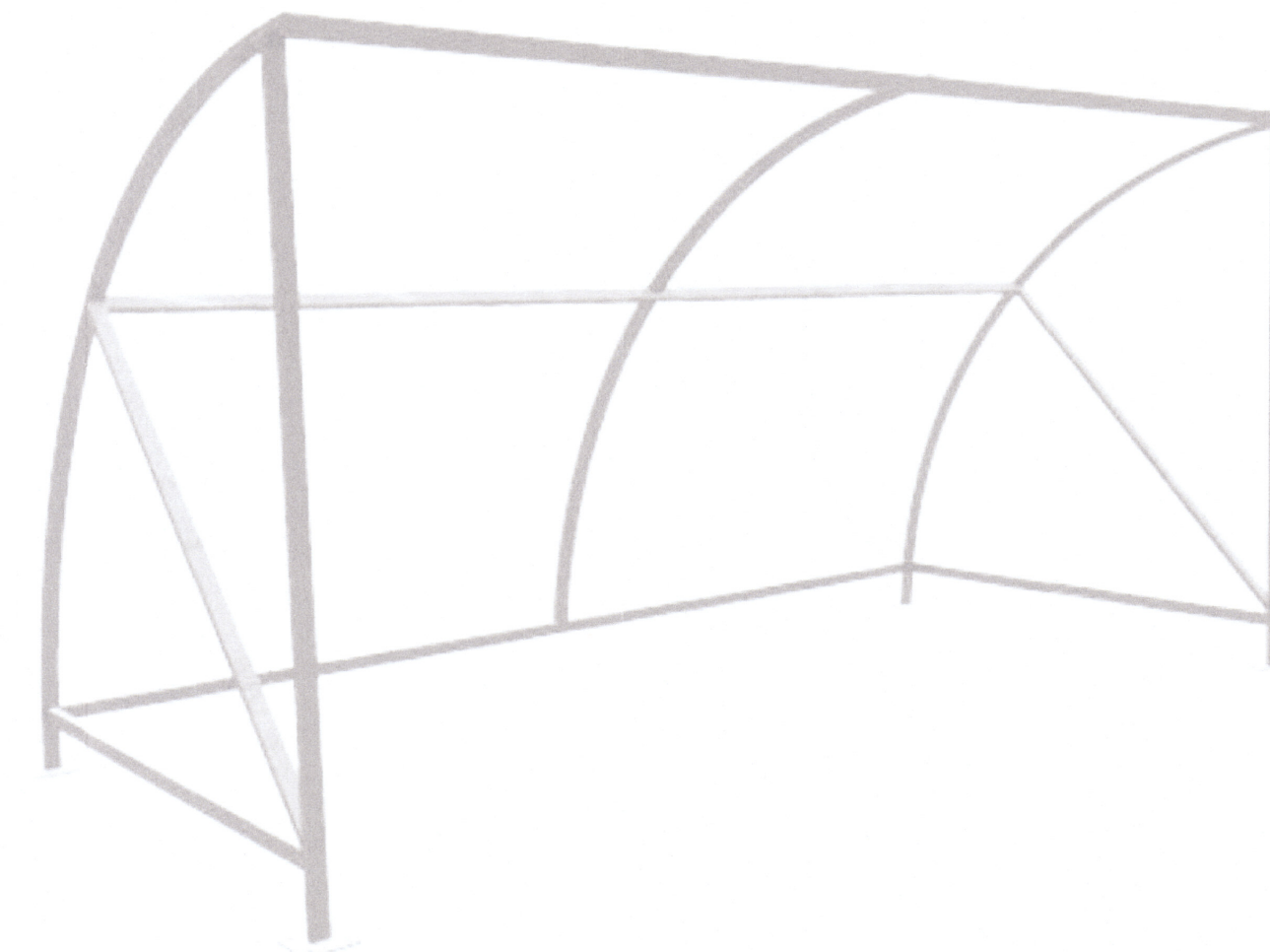
CYCLE SHELTER ELEVATION



CONCRETE SLAB DETAIL A-A



INDICATIVE CYCLE SHELTER IMAGE



CYCLE SHELTER SPECIFICATION:

NAME: ECO CYCLE SHELTER WITH SIDES (CYCLE RACKS ARE EXISTING)
 SIZE: 4600mm LONG x 2040mm WIDE x 2100mm HIGH
 DESCRIPTION: CYCLE SHELTER TO ACCOMMODATE EXISTING CYCLE HOOPS FOR 12nr BIKES, MANUFACTURED WITH 50mm DIAMETER TUBE GALVANISED TO BS EN ISO 1461:1999, COMPLETE WITH FLANGES BOLTING DIRECTLY TO NEW CONCRETE SLAB.

