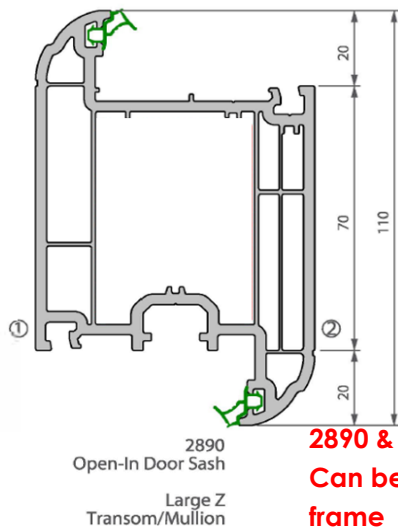
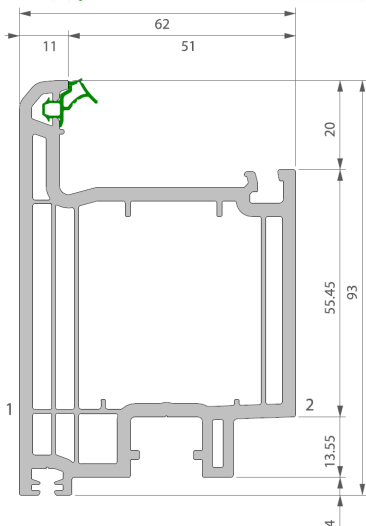
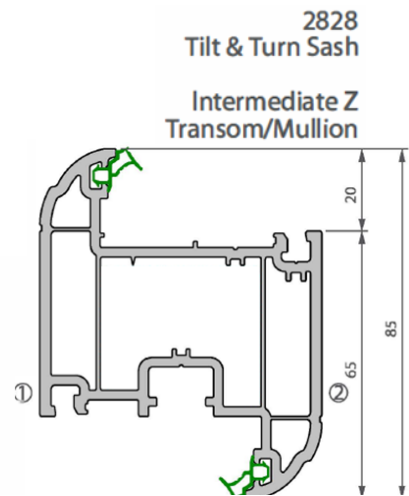
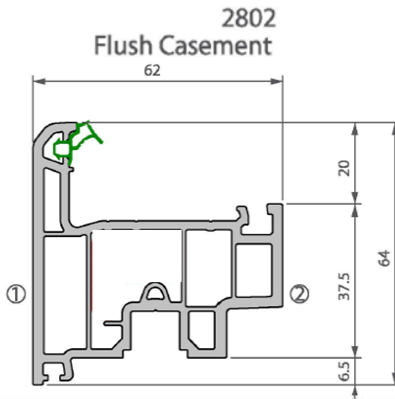
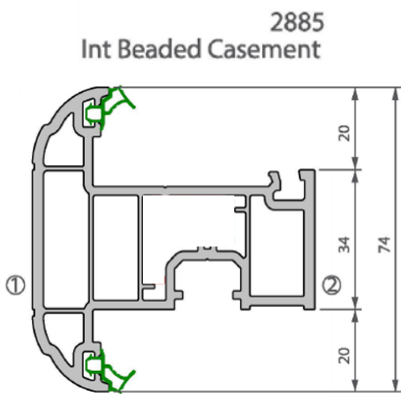
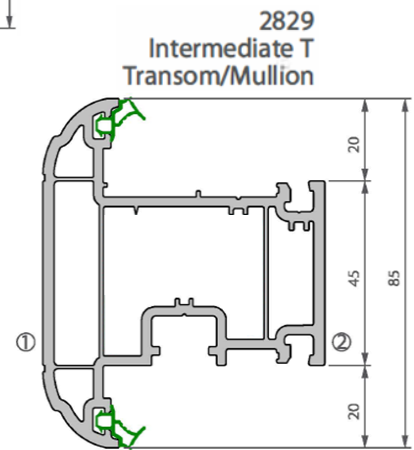
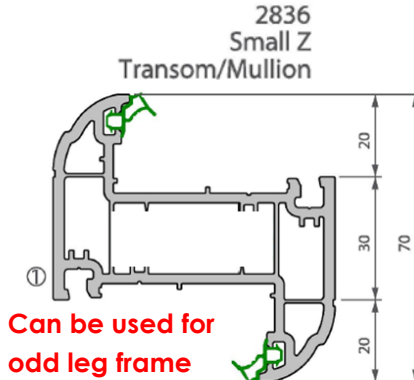
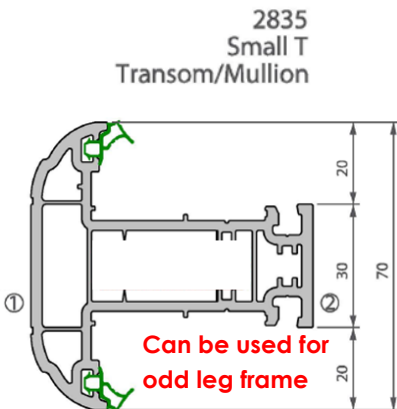
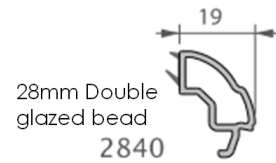
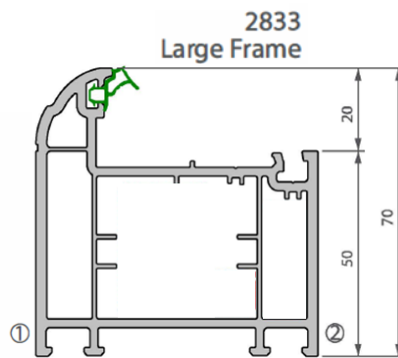
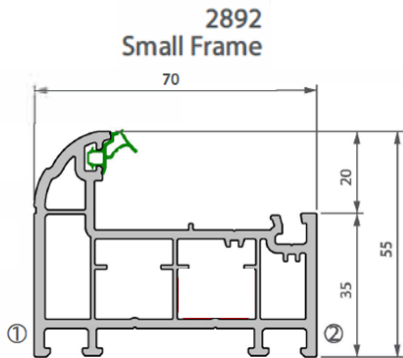
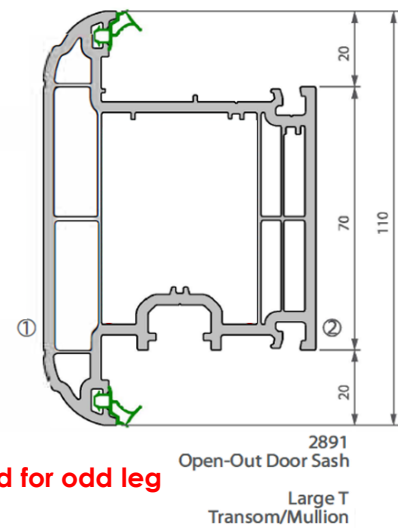


**2800 Profile range**



**2890 & 2891**  
Can be used for odd leg frame

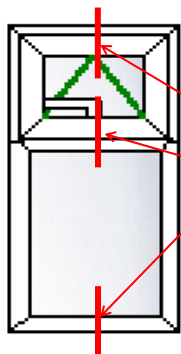


**2800 Sculpted**

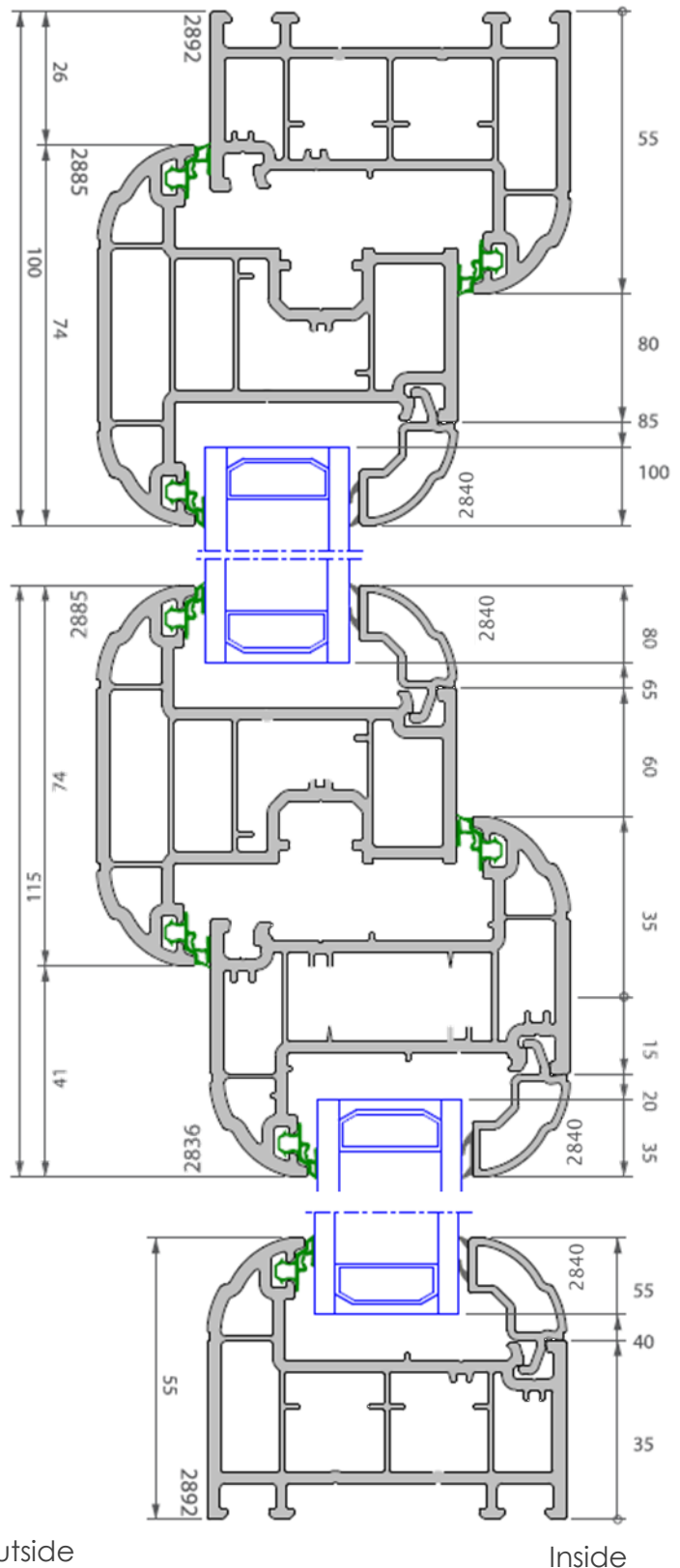
- Internally beaded
- Fully welded frame with grooved joints
- Standard 17mm stack friction hinges
- 28mm Double glazed, average U-value 1.4 W/m<sup>2</sup>k (Clear/Plan + unit with 1.2 centre pane U-value)
- Shootbolt espag locking with dual position locking keeps for night ventilation (**note : espag locking will be used on sashes under 541mm**)
- Grey low sight line gasket
- External 150mm cill
- Reinforced to profile suppliers specification

**Optional Extras**

- StyleLine finish
  - ◆ Fully seamless Graf welded frame and sashes with mechanically joined transom / mullions
  - ◆ Dummy sashes to fixed panes
  - ◆ 17mm Stack Mega Egress hinge
  - ◆ Claw locks to back of sashes
- 40mm triple glazed – average overall U-value 1.2 W/m<sup>2</sup>k (Clear/Clear/Plan+ unit with 1.00 centre pane U-Value)
- Upgrade of handles to tear drop or monkey tail
- Trickle vents to head of 70mm outerframe or head of sash
- Glass options
- Egress hinge
- Mega Egress hinge
- Claw locks to back of sashes
- Large 70mm outerframe profile
- French escape windows
- Frame extensions ([page J01](#))
- Bay posts ([page J02 - J06](#))
- Frame couplers ([page J07](#))
- External cills ([page J08 - J09](#))
- Mock sash horns (2800 system only). Not available in StyleLine or Flush sash ([page B11](#))
- Odd leg frames using 2835/2836 Tran/Mull profile 20mm leg ([page B01](#))



Cross section shown through these points

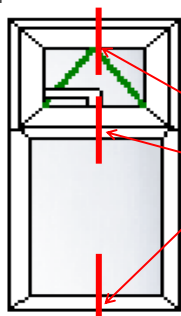


**2800 Sculpted – Flush Sash**

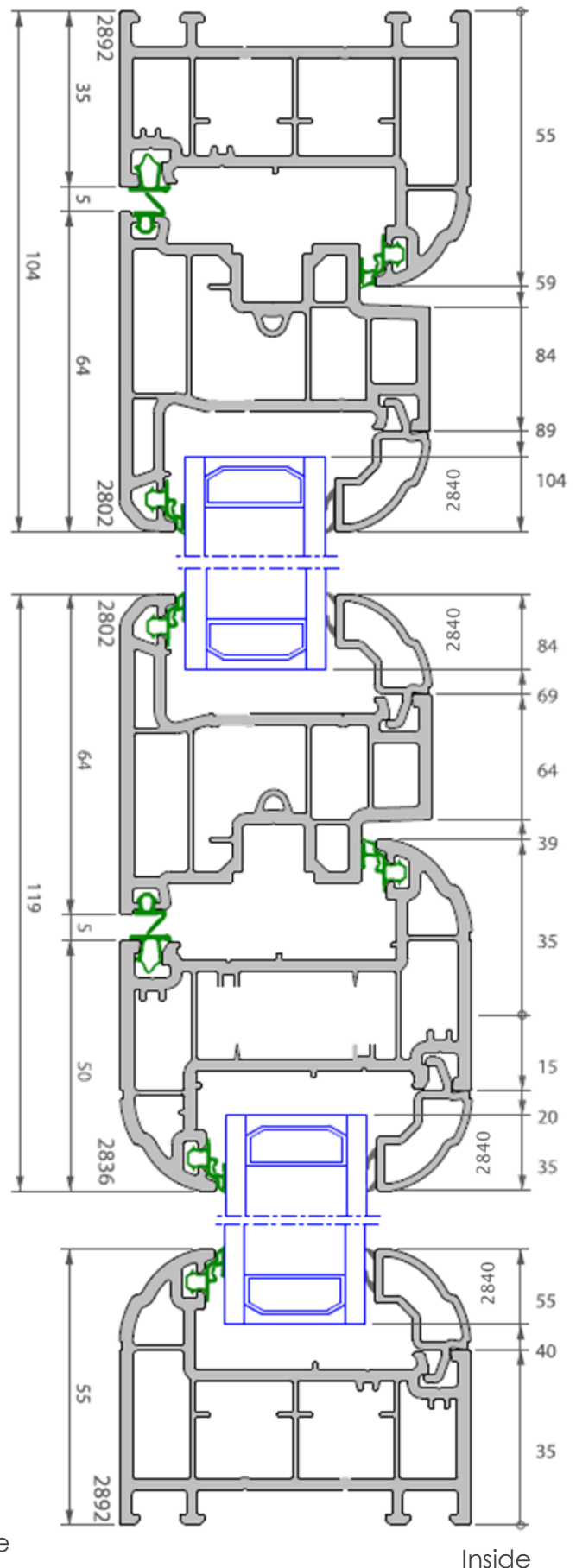
- Internally beaded
- Fully welded frame with grooved joints
- Standard 13mm stack friction hinges
- 28mm double glazed, average U-value 1.4 W/m<sup>2</sup>k (Clear/Plan + unit with 1.2 centre pane U-value)
- Shootbolt espag locking with dual position locking keeps for night ventilation (**note : espag locking will be used on sashes under 499mm**)
- Grey low sight line gasket
- External 150mm cill
- Reinforced to profile suppliers specification
- Flush detail is to outside only

**Optional Extras**

- StyleLine finish
  - ◆ Fully seamless Graf welded frame
  - ◆ Graf welded sash with 1.5mm pencil line finish (all colour finishes)
  - ◆ Mechanically joined transom / mullions
  - ◆ Dummy sashes to fixed panes
  - ◆ 13mm Stack Egress hinge
  - ◆ Claw locks to back of sashes
- 40mm triple glazed – average overall U-value 1.2 W/m<sup>2</sup>k (Clear/Clear/Plan+ unit with 1.00 centre pane U-Value)
- Upgrade of handles to tear drop or monkey tail
- Trickle vents to head of 70mm outerframe & head of sash
- Glass options
- Claw locks to back of sashes
- Egress hinge with easy clean facility (narrow sashes will not have easy clean)
- Large 70mm outerframe profile
- French escape windows
- Only available in the 2800 system
- Tilt & Turns are not available in Flush sash
- Dummy mullions / transoms are not available
- Butt hinges dummy / working are not available
- Frame extensions ([page J01](#))
- Bay posts ([page J02 - J06](#))
- Frame couplers ([page J 07](#))
- External cills ([page J08 - J09](#))
- Odd leg frames using 2835/2836 Tran/Mull profile 20mm leg ([page B01](#))



Cross section shown through these points



Outside

Inside

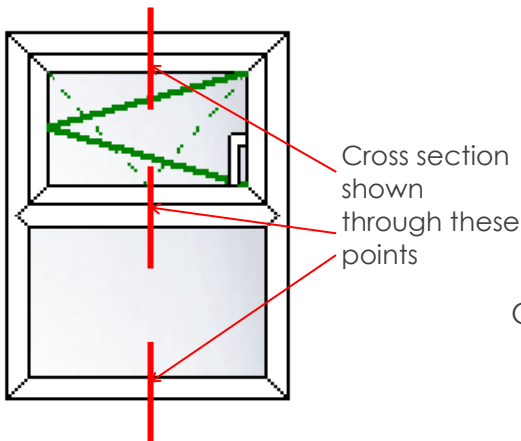
**2800 Sculpted Tilt & Turn**

- Internally beaded
- Fully welded frame with grooved joints
- Large 70mm outerframe profile all round
- Security face tilt & turn gearing
- 28mm Double glazed, average U-value 1.4 W/m<sup>2</sup>k (Clear/Plan + unit with 1.2 centre pane U-value)
- Grey low sight line gasket
- External 150mm cill
- Reinforced to profile suppliers specification

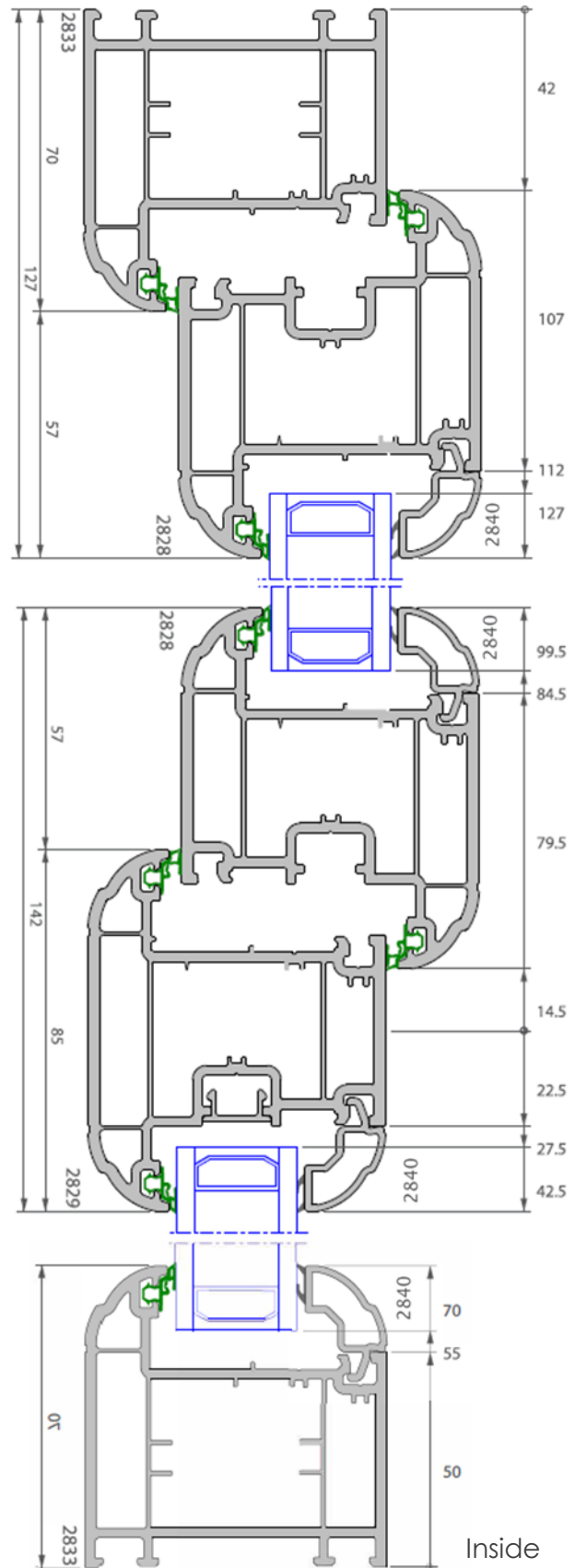
**Optional Extras**

- StyleLine finish
  - ◆ Fully seamless Graf welded frame and sashes with mechanically joined transom / mullions
  - ◆ Dummy sashes to fixed panes
- 40mm triple glazed – average overall U-value 1.2 W/m<sup>2</sup>k (Clear/Clear/Plan+ unit with 1.00 centre pane U-Value)
- Trickle vents to head of 70mm outerframe or head of sash
- Glass options
- Hidden gearing (opens to 90 degrees only)
- Frame extensions ([page J01](#))
- Bay posts ([page J02 - J06](#))
- Frame couplers ([page J07](#))
- External cills ([page J08 - J09](#))
- Odd leg frames using 2829/2828 Tran/Mull profile 20mm leg ([page B01](#))

Note : The face fit hinge cover caps are only available in white, brown and tan and not paintable.



Outside



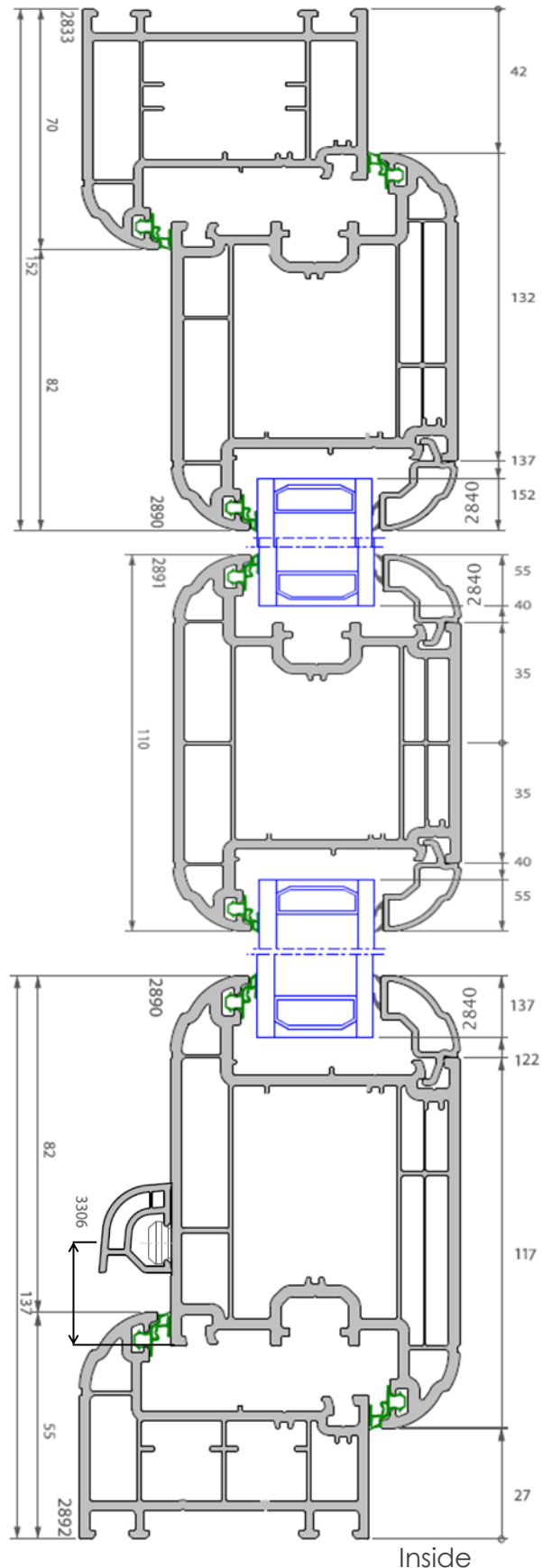
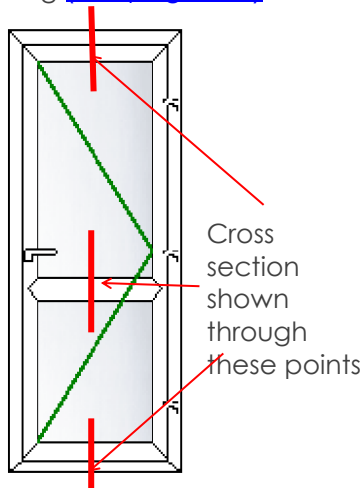
Inside

**2800 Open In Residential / French door**

- Internally beaded
- Fully welded frame with grooved joints
- Large 70mm profile to head and jambs 55mm profile to bottom
- 3 Hook 2 Roller multi point door lock (No rollers on French doors)
- 3 x SFS2d hinge ([see page K01 - K02](#))
- Lever/Lever handle (double handles to French doors)
- 28mm Double glazed, average U-value 1.4 W/m<sup>2</sup>k (Clear/Plan + unit with 1.2 centre pane U-value)
- Grey low sight line gasket
- External 150mm cill
- Reinforced to profile suppliers specification

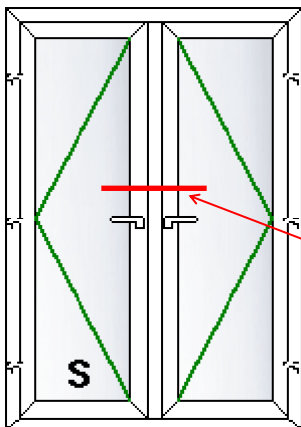
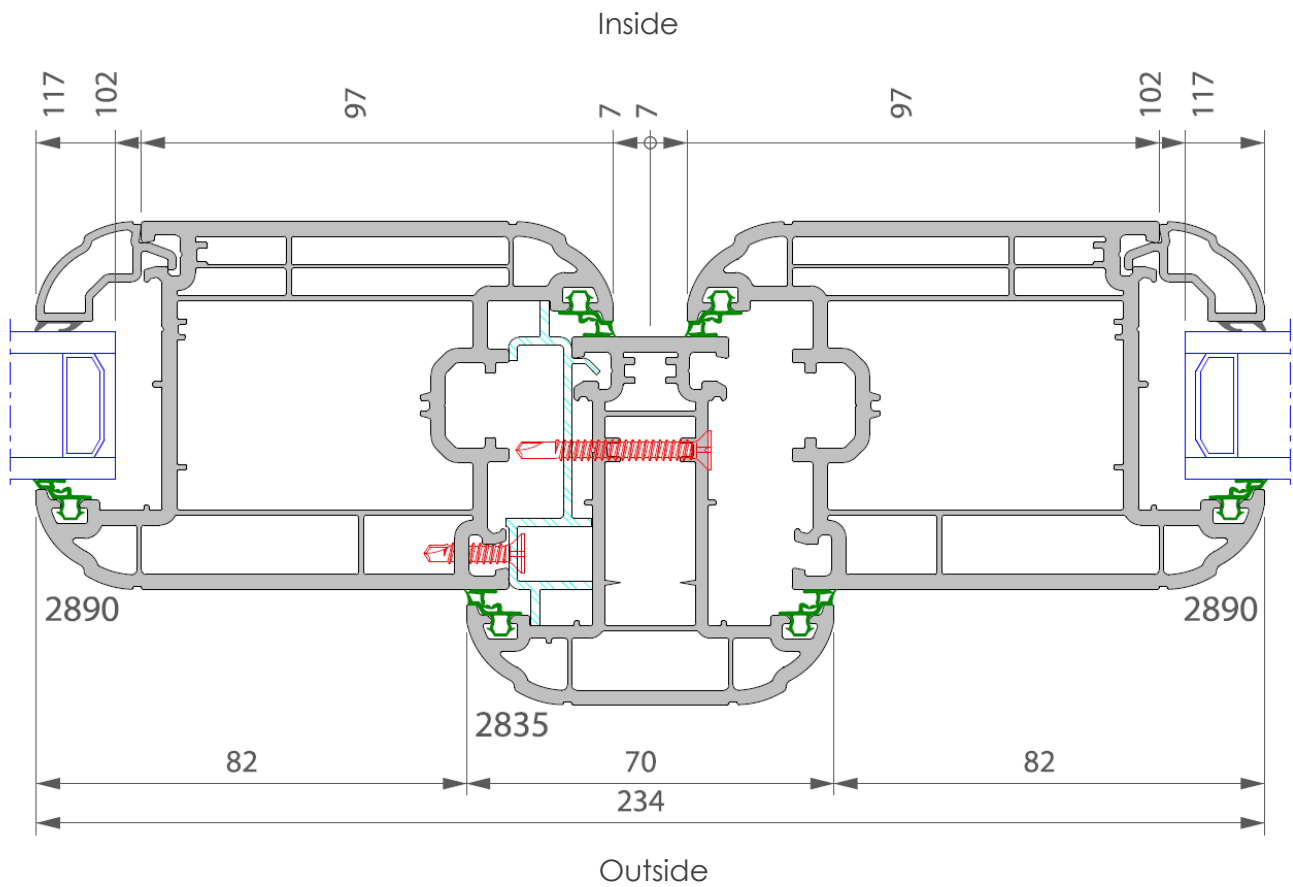
**Optional Extras**

- StyleLine finish
  - ◆ Fully seamless Graf welded frame and sashes with mechanically joined transom / mullions / midrail
- 40mm triple glazed – average overall U-value 1.2 W/m<sup>2</sup>k (Clear/Clear/Plan+ unit with 1.00 centre pane U-Value)
- Trickle vents to head of 70mm outerframe or head of sash
- Glass options
- 110mm Midrail
- Stormguard Proline low aluminium threshold Part M compliant ([page D01 - D02](#)) (not recommended for French doors)
- Hinge bolts
- Letter plate available to 110mm midrails
- 4 x SFS2d hinge to doors over 2200mm high
- Frame extensions ([page J01](#))
- Bay posts ([page J02 - J06](#))
- Frame couplers ([page J07](#))
- External cills ([page J08 - J09](#))
- Odd leg frames using 2890/2891 Tran/Mull profile 20mm leg ([see page B01](#))



Open In French door

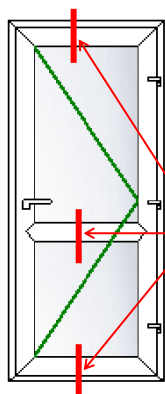
False mullion is fitted to the slave sash



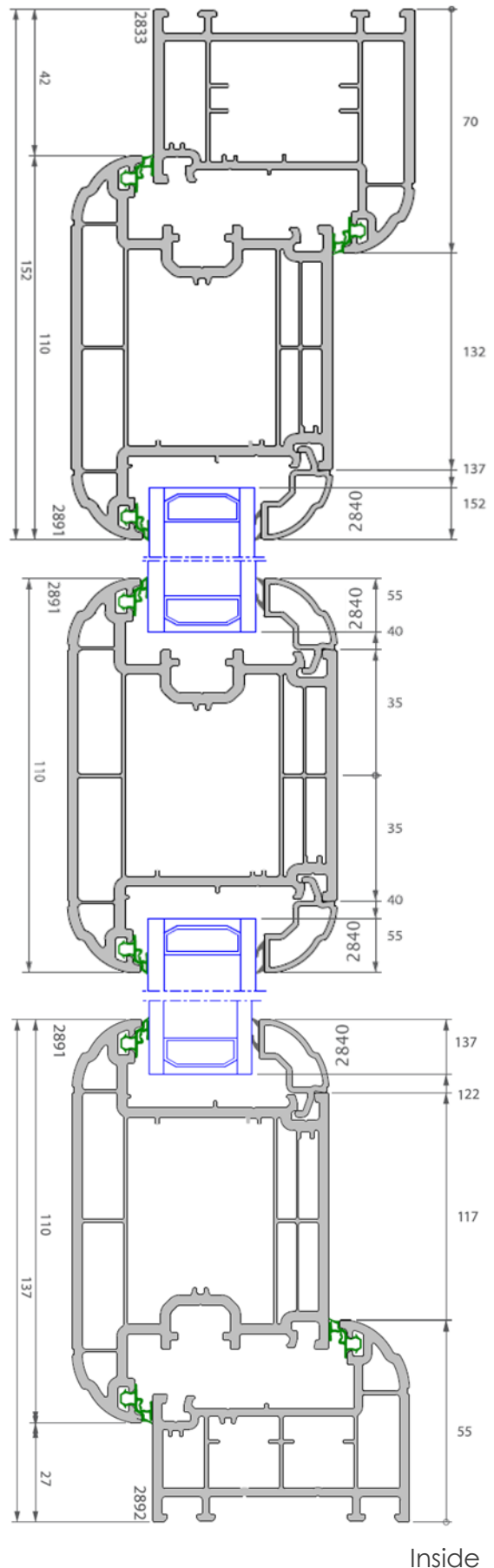
Cross section shown through this point

**2800 Open Out Residential / French door**

- Internally beaded
  - Fully welded frame with grooved joints
  - Large 70mm profile to head and jambs 55mm profile to bottom
  - 3 Hook 2 Roller multi point door lock (No rollers on French doors)
  - 3 x SFS2d hinge [\(see page K01 - K02\)](#)
  - Lever/Lever handle (double handles to French doors)
  - 28mm Double glazed, average U-value 1.4 W/m<sup>2</sup>k (Clear/Plan + unit with 1.2 centre pane U-value)
  - Grey low sight line gasket
  - External 150mm cill
  - Reinforced to profile suppliers specification
- **Optional Extras**
- StyleLine finish
    - ◆ Fully seamless Graf welded frame and sashes with mechanically joined transom / mullions / midrail
  - 40mm triple glazed – average overall U-value 1.2 W/m<sup>2</sup>k (Clear/Clear/Plan+ unit with 1.00 centre pane U-Value)
  - Trickle vents to head of 70mm outerframe or head of sash
  - Glass options
  - 110mm Midrail
  - Stormguard Proline low aluminium threshold Part M compliant [\(page D01 - D02\)](#) (not recommended for French doors)
  - Hinge bolts
  - Letter plate available to 110mm midrails
  - 4 x SFS2d hinge to doors over 2200mm high
  - Door restrictor
  - Frame extensions [\(page J01\)](#)
  - Bay posts [\(page J02 - J06\)](#)
  - Frame couplers [\(page J07\)](#)
  - External cills [\(page J08 - J09\)](#)
  - Odd leg frames using 2890/2891 Tran/Mull profile 20mm leg [\(page B01\)](#)

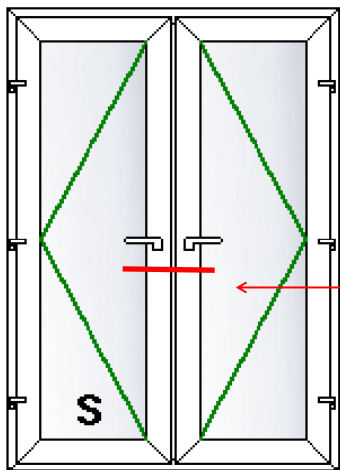
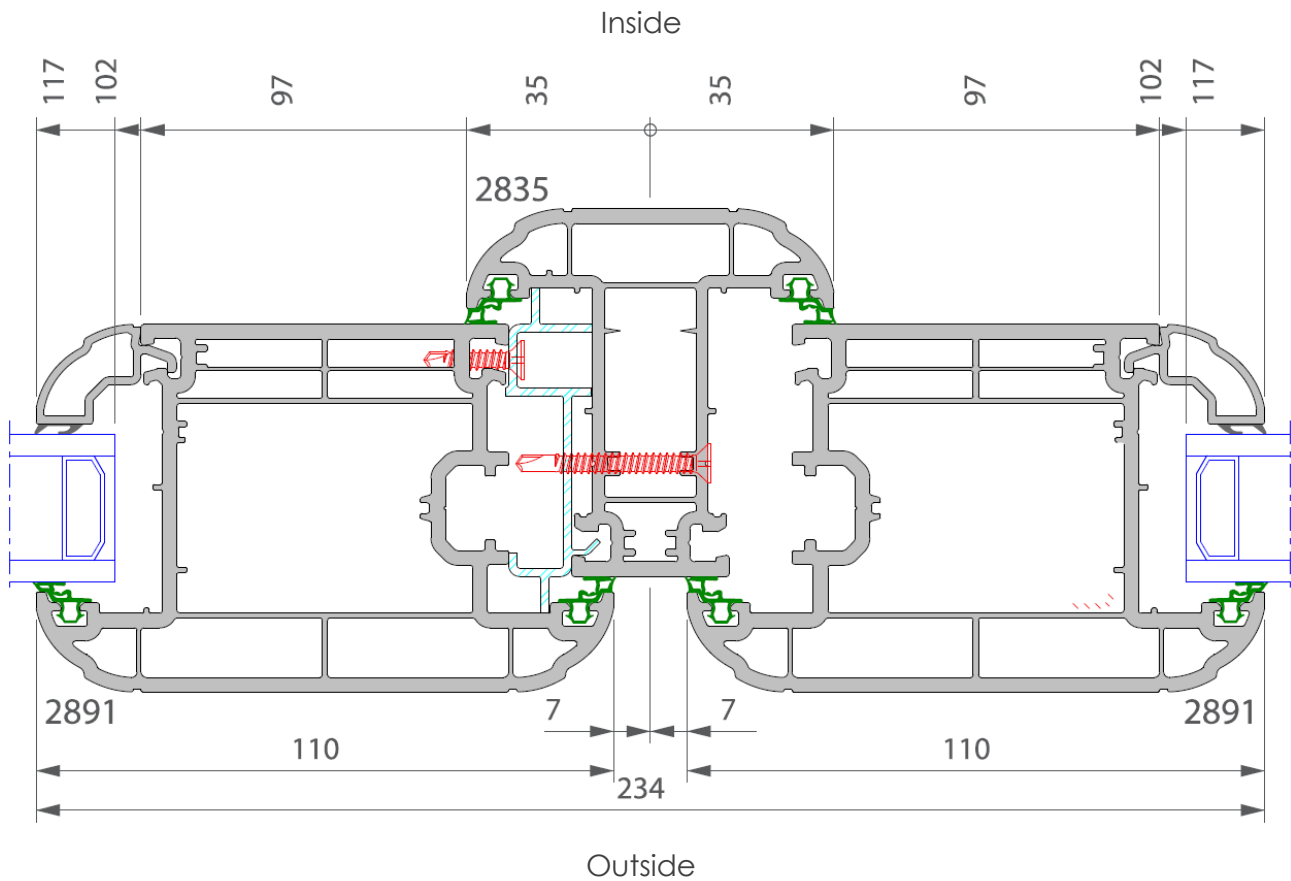


Cross section shown through these points



Open out French door

False mullion is fitted to the slave sash

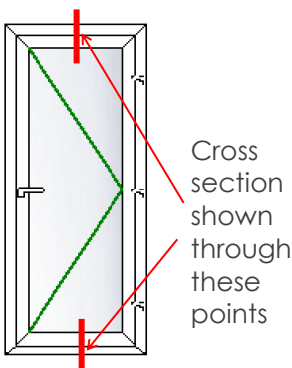
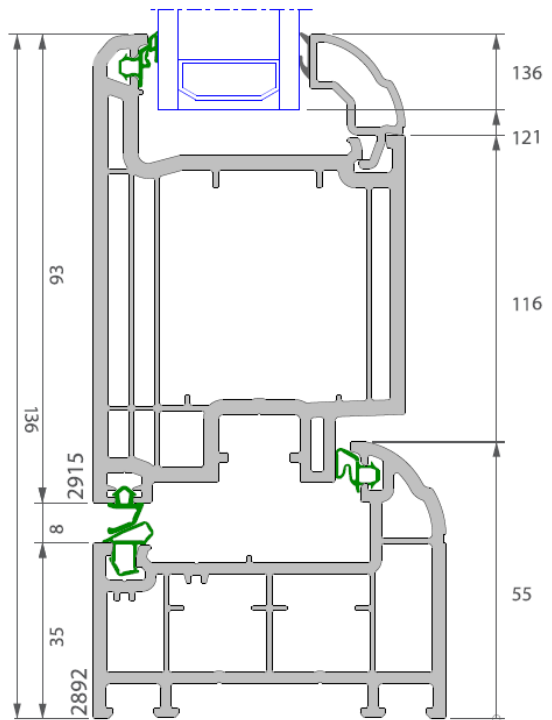
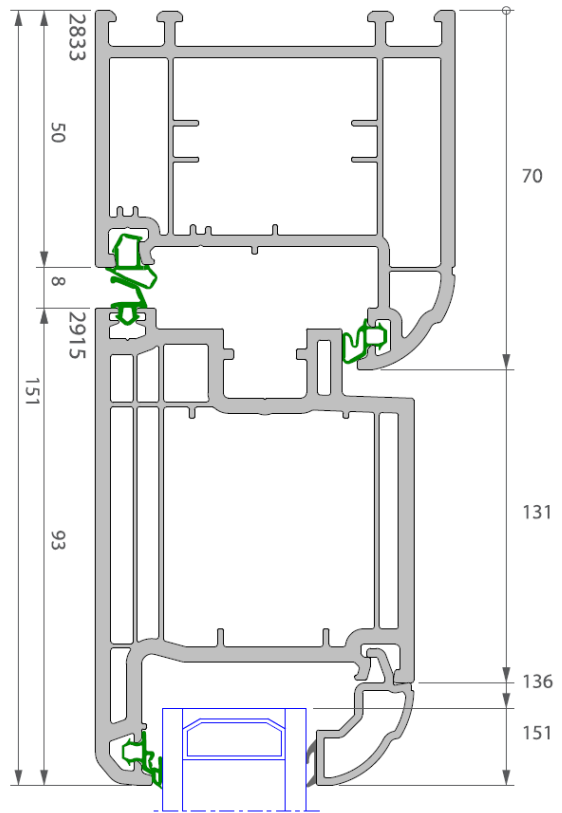


Cross section shown through this point



**2800 Flush Open Out Residential / French door**

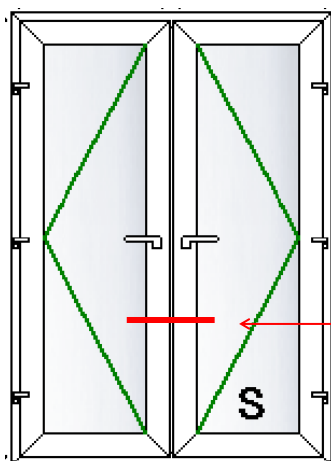
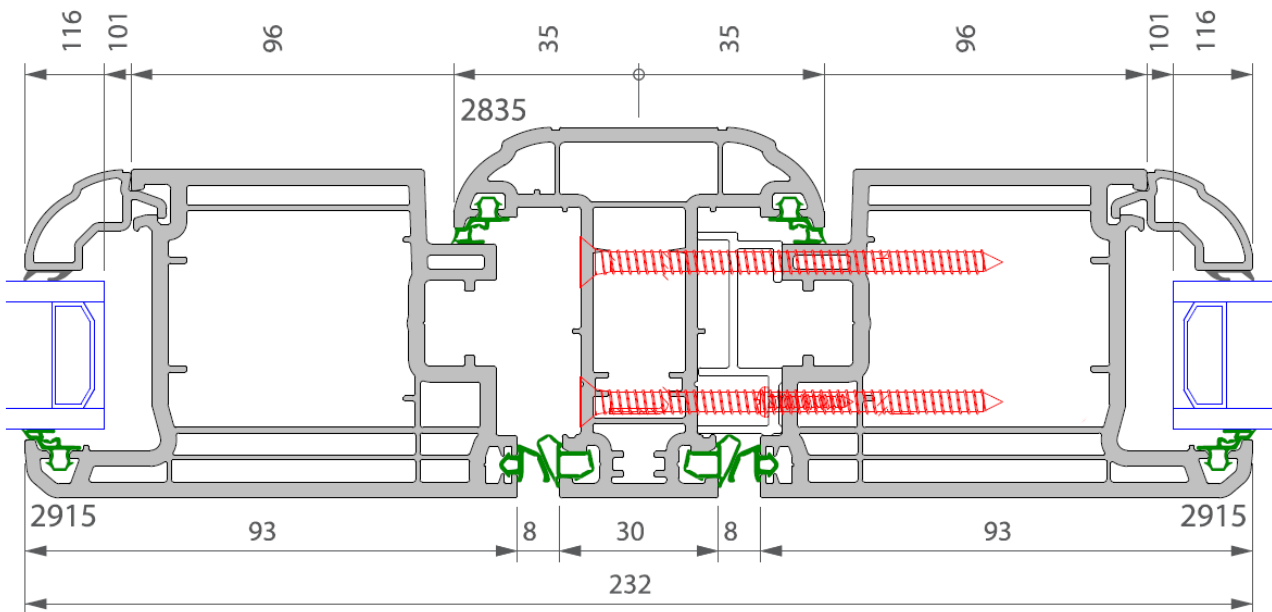
- Internally beaded
- Open out only (open in **NOT** available)
- Midrails **NOT** available
- Fully welded frame with grooved joints
- Large 70mm profile to head and jambs 55mm profile to bottom
- 3 Hook, 2 Shootbolts multi point door lock to master sash (Shootbolts only to slave sash on French doors)
- 3 x Butt hinge (white, black & chrome only) ([see page K04](#))
- Lever/Lever handle (double handles to French doors)  
Lever/pad is not available
- 28mm Double glazed, average U-value 1.4 W/m<sup>2</sup>k  
(Clear/Plan + unit with 1.2 centre pane U-value)
- Grey low sight line glazing gaskets
- Black frame gasket external
- External 150mm cill
- Reinforced to profile suppliers specification
- Set handle height
- **Optional Extras**
- StyleLine finish
  - ◆ Fully seamless Graf welded frame and sashes
- 40mm triple glazed – average overall U-value 1.2 W/m<sup>2</sup>k (Clear/Clear/Plan+ unit with 1.00 centre pane U-Value)
- Trickle vents to head of 70mm outerframe or head of sash
- Glass options
- Stormguard Proline low aluminium threshold Part M compliant ([page D01 - D02](#)) (not recommended for French doors)
- 4 x butt hinge to doors over 2200mm high (white, black & chrome only)
- Door restrictor
- Frame extensions ([page J01](#))
- Bay posts ([page J02 - J06](#))
- Frame couplers ([page J07](#))
- External cills ([page J08 - J09](#))
- Odd leg frames using 2890/2891 Tran/Mull profile 20mm leg ([page B01](#))



| Sizes show are frame size                                |      |      |
|--|------|------|
| Min / Max Heights  | Min  | Max  |
| PVC head 70mm<br>PVC bottom 55mm                         | 1964 | 2262 |
| PVC Head 70mm<br>Low Ali threshold                       | 1938 | 2236 |
| Set handle height from bottom of frame to spindle centre |      |      |
| PVC bottom 55mm  | 1034 |      |
| Low Ali threshold  | 1016 |      |

Open out Flush sash French door

False mullion is fitted to the slave sash



Cross section shown through this point

**Mock Sash decorative horns**

Mock sash horns are available on the 2800 sculpted system only.

Fully welded frame with grooved joints.

Fully welded sash with seamless Graf welds to laminated profile and 1.5mm pencil line finish to standard white.

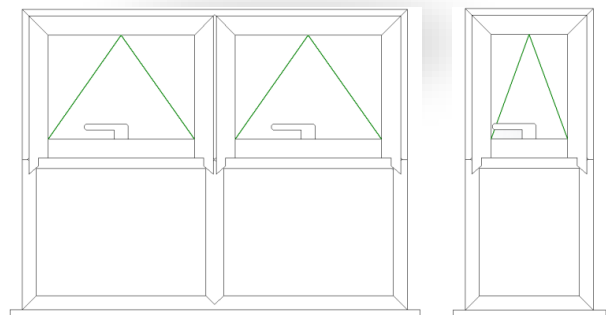
The horned section of the profile is available in the following colour options. The internal colours are not laminated they are the base colour of the profile.

| External Colour | Colour underside |
|-----------------|------------------|
| White           | Flat White       |
| Rosewood        | Flat White       |
| Rosewood        | Flat Brown       |
| Golden Oak      | Flat White       |
| Golden Oak      | Flat Tan         |
| Chartwell Green | Flat White       |
| Anthracite Grey | Flat White       |
| Anthracite Grey | Flat Brown       |
| Irish Oak       | Flat White       |
| Irish Oak       | Flat Tan         |
| Black Ash       | Flat White       |
| Black           | Flat Brown       |
| Nut Tree        | Flat White       |
| Nut Tree        | Flat Brown       |
| Cream           | Flat White       |
| Heritage White  | Flat White       |
| Agate Grey      | Flat White       |
| Smooth Grey     | Flat White       |
| Smooth Grey     | Flat Brown       |
| English Oak     | Flat White       |
| English Oak     | Flat Tan         |
| Clotted Cream   | Flat White       |



**Note:** If you have any of the following coloured frames then the horn will be white on the inside.

- Chartwell Green
- Cream
- Heritage White
- Agate Grey
- Clotted Cream



Mock sash horns are only available on styles that are top over fixed. (fixed panes cannot be dummy sashes)

THIS PAGE IS INTENTIONALLY BLANK