

Designed by: MS Checked by: JBF Project: 1922

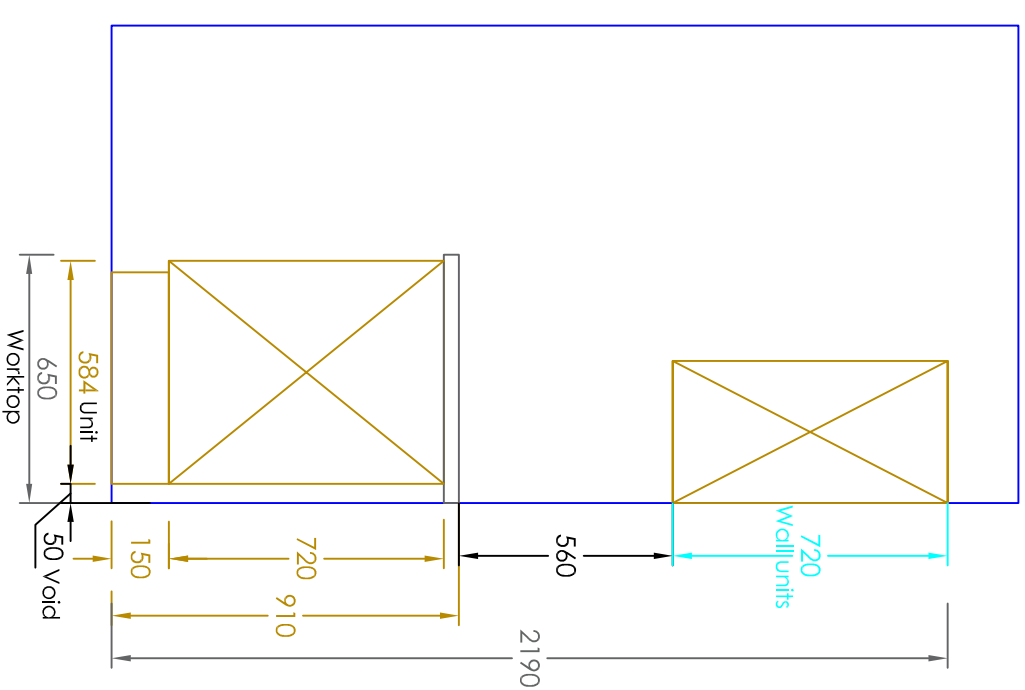
Drawing name:
 Kitchen design detail

Drawing reference: 031_FG Revision -

Date	Scale	Drawing Status: P
03/03/21	@A3 1:20	

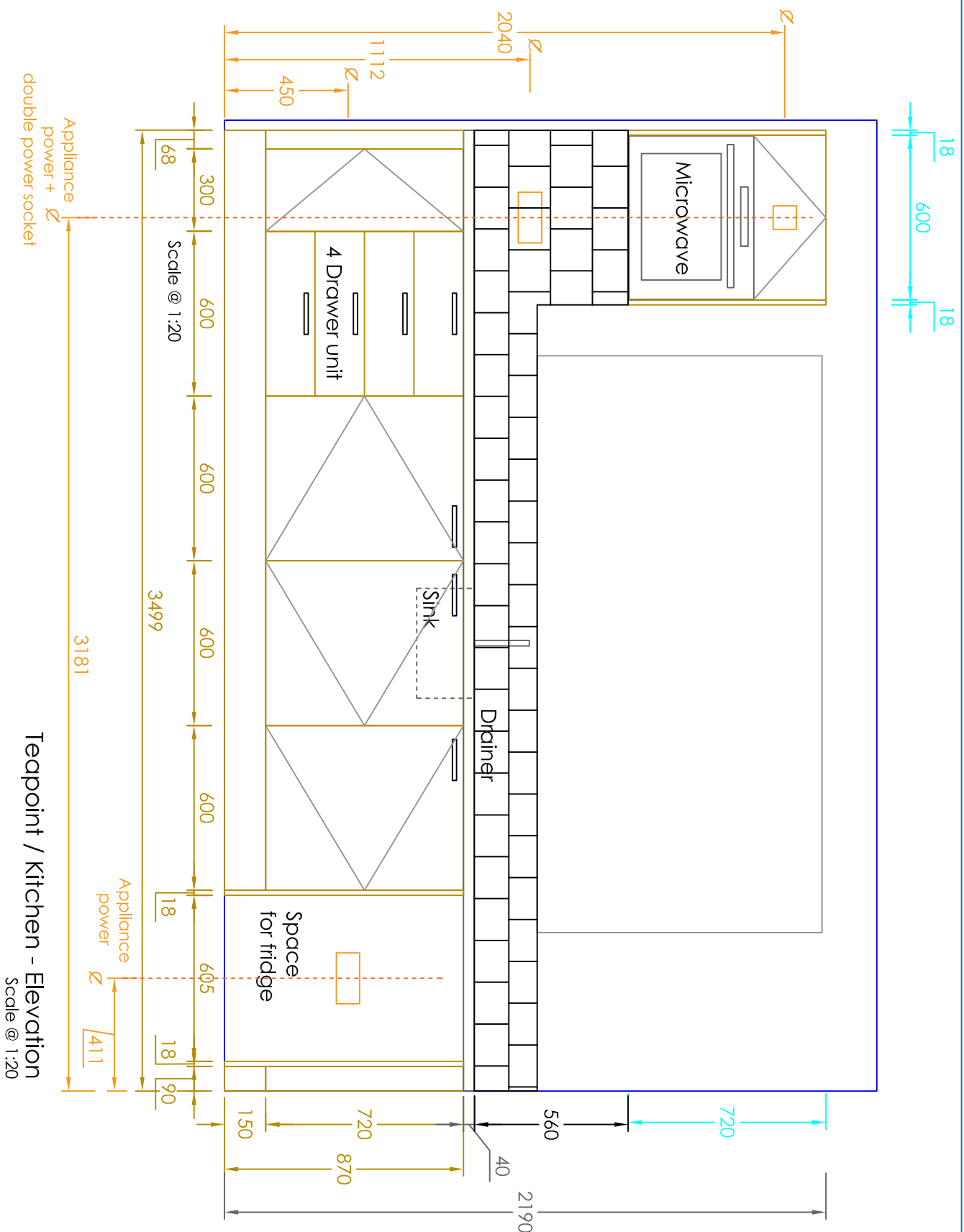
Filename:
 1922_031_FG - Kitchen design detail

Revision: Description: Date:

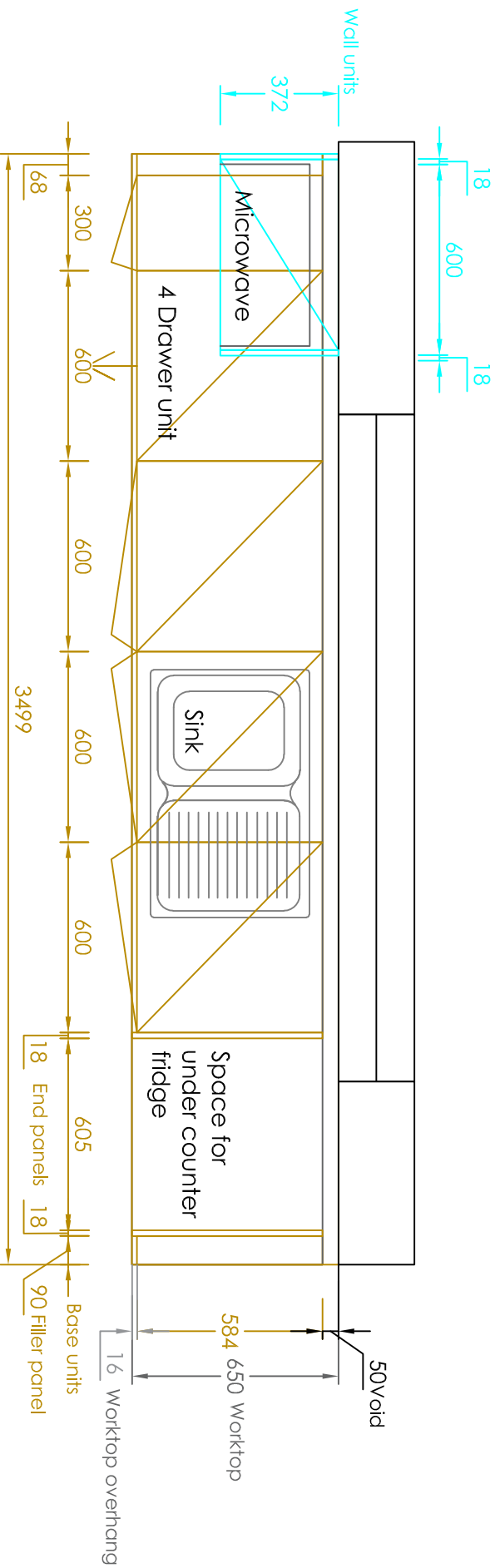


Teapoint / Kitchen - Section
 Scale @ 1:20

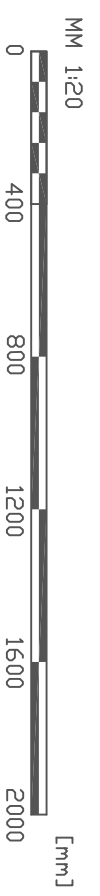
NB: Tile up to window height
 (TBC on site)



Teapoint / Kitchen - Elevation
 Scale @ 1:20



Teapoint / Kitchen - Plan view
 Scale @ 1:20



Do not scale from this drawing. All dimensions to be verified on site prior to the commencement of any work or the production of any shop drawing.

This drawing remains the property of Progress, and is not to be disclosed or discussed with any third party without prior written authorization from Progress. All rights reserved.