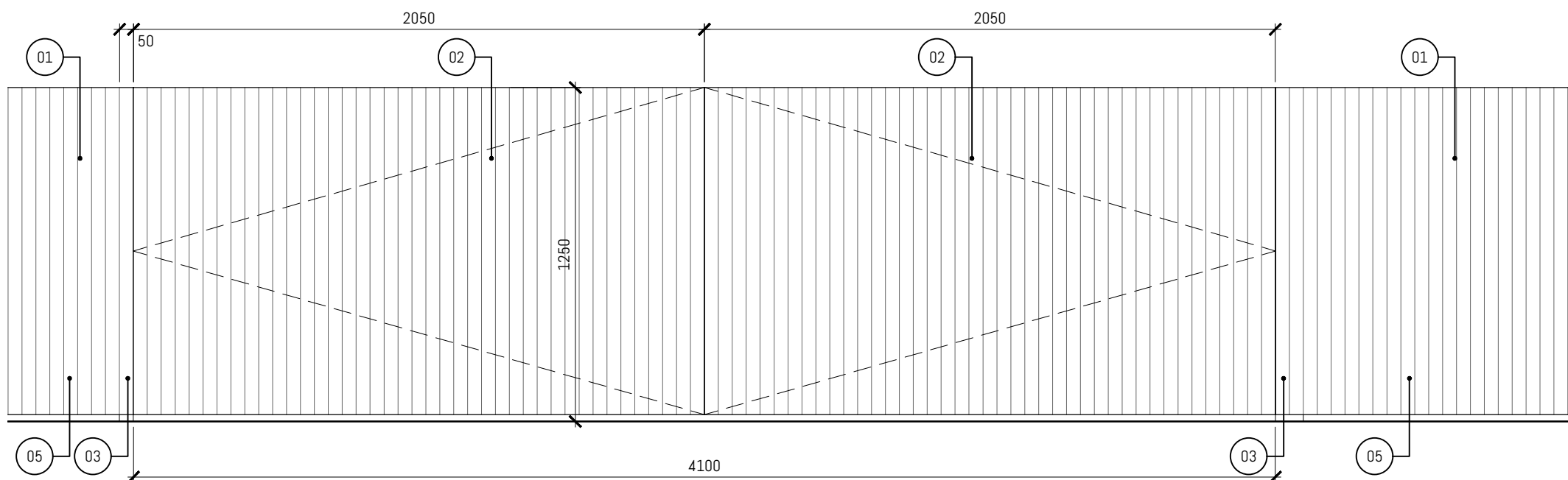
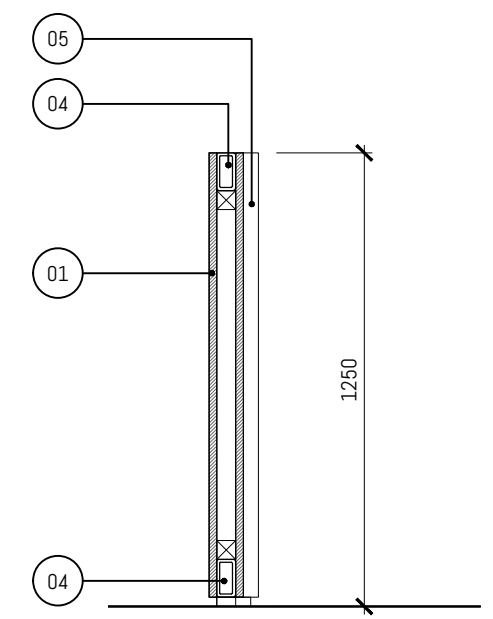


PL-008 PLAN
1 1:20 A3 SCALE

- LEGEND:
1. Gates and posts faced with 50mm wide vertical burnt timber cladding to match all cladding elsewhere.
 2. 2No. vehicular side-hung gates.
 3. Steel box section posts faced with 50mm wide vertical burnt timber cladding. All to SE design & spec.
 4. Steel frame within gate construction, all to SE design & spec.
 5. Boundary Type 01- Timber Fence. See drawing no. 039-PL-009.



PL-008 ELEVATION
2 1:20 A3 SCALE



PL-008 SECTION
3 1:20 A3 SCALE