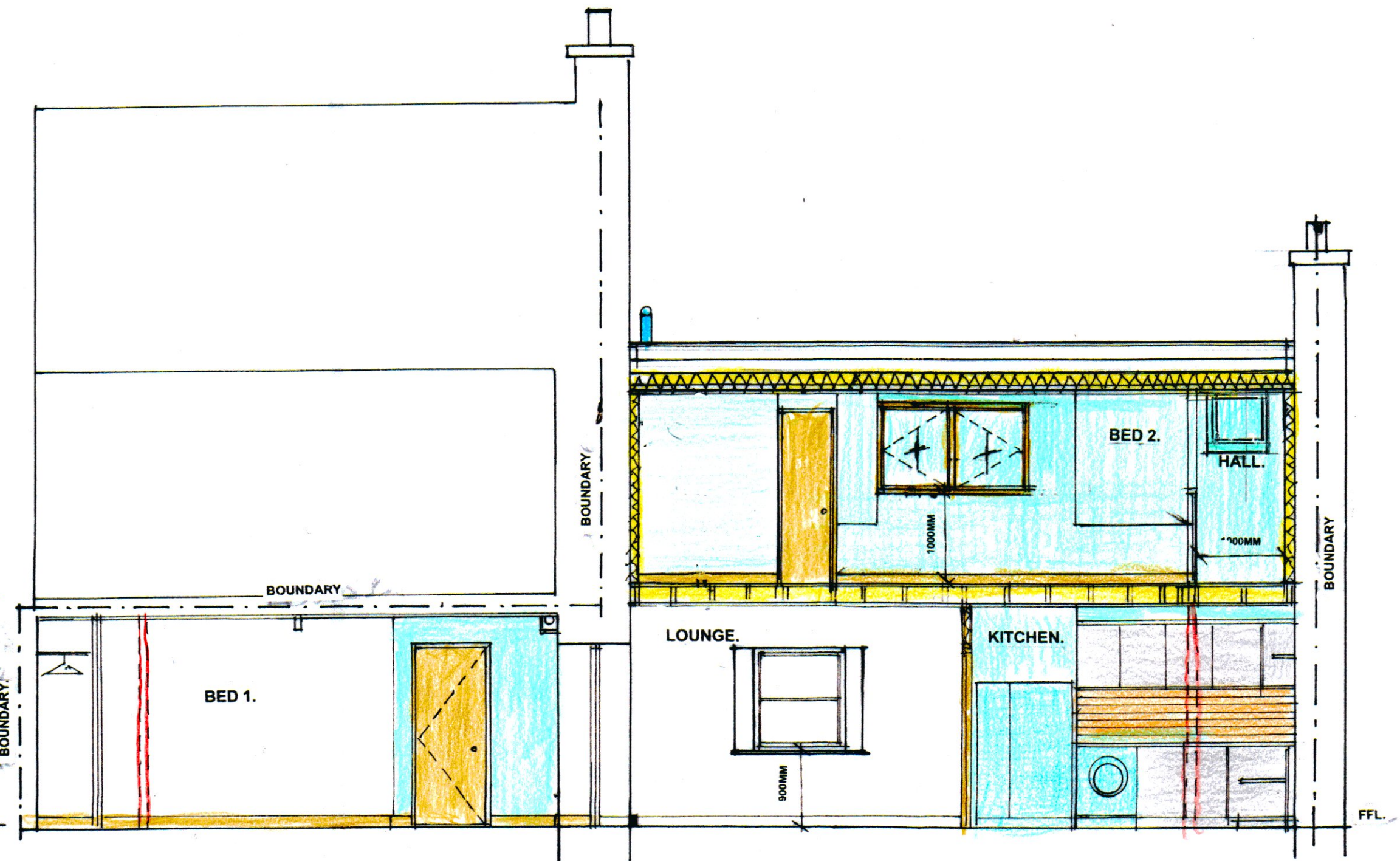
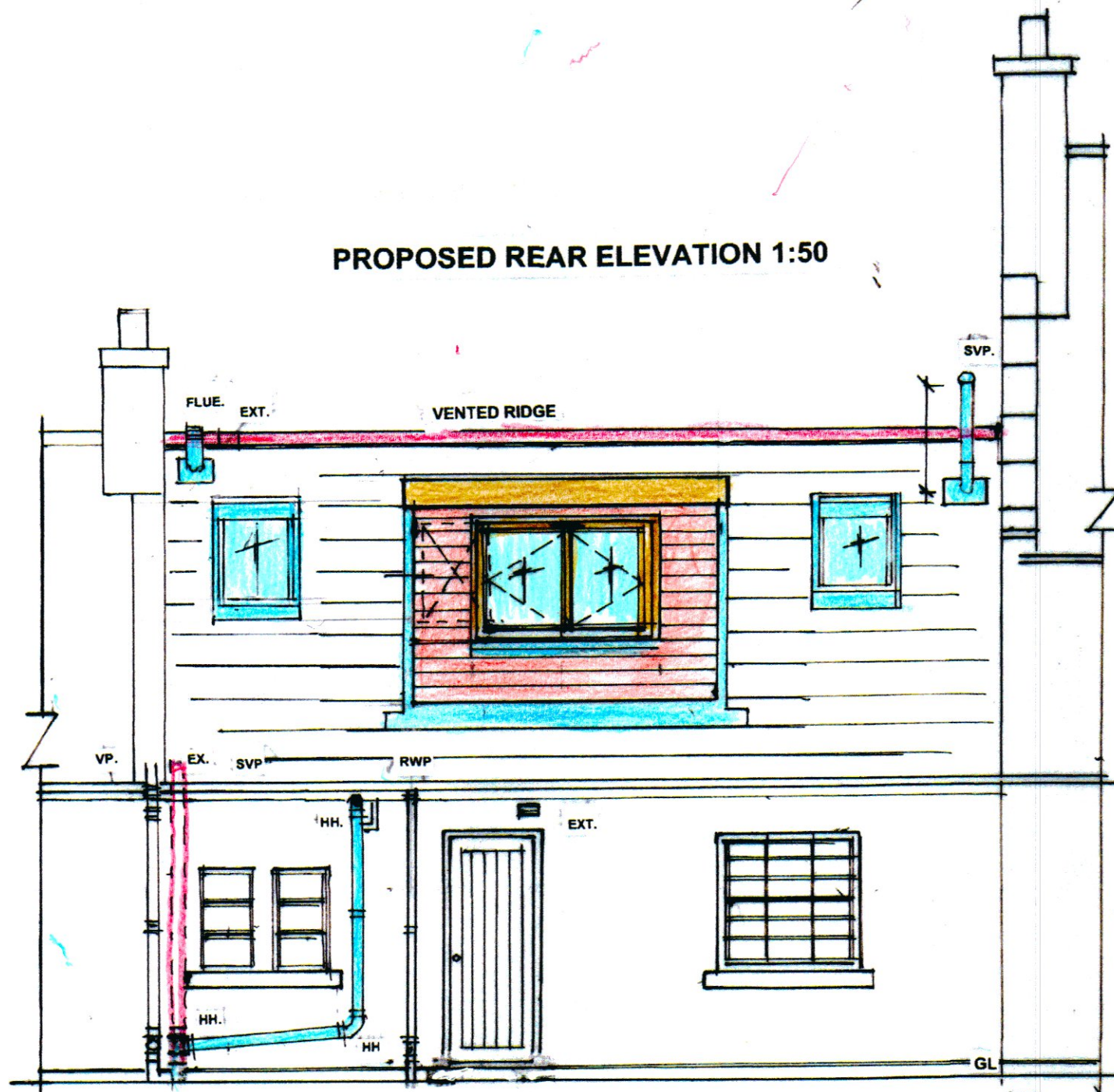
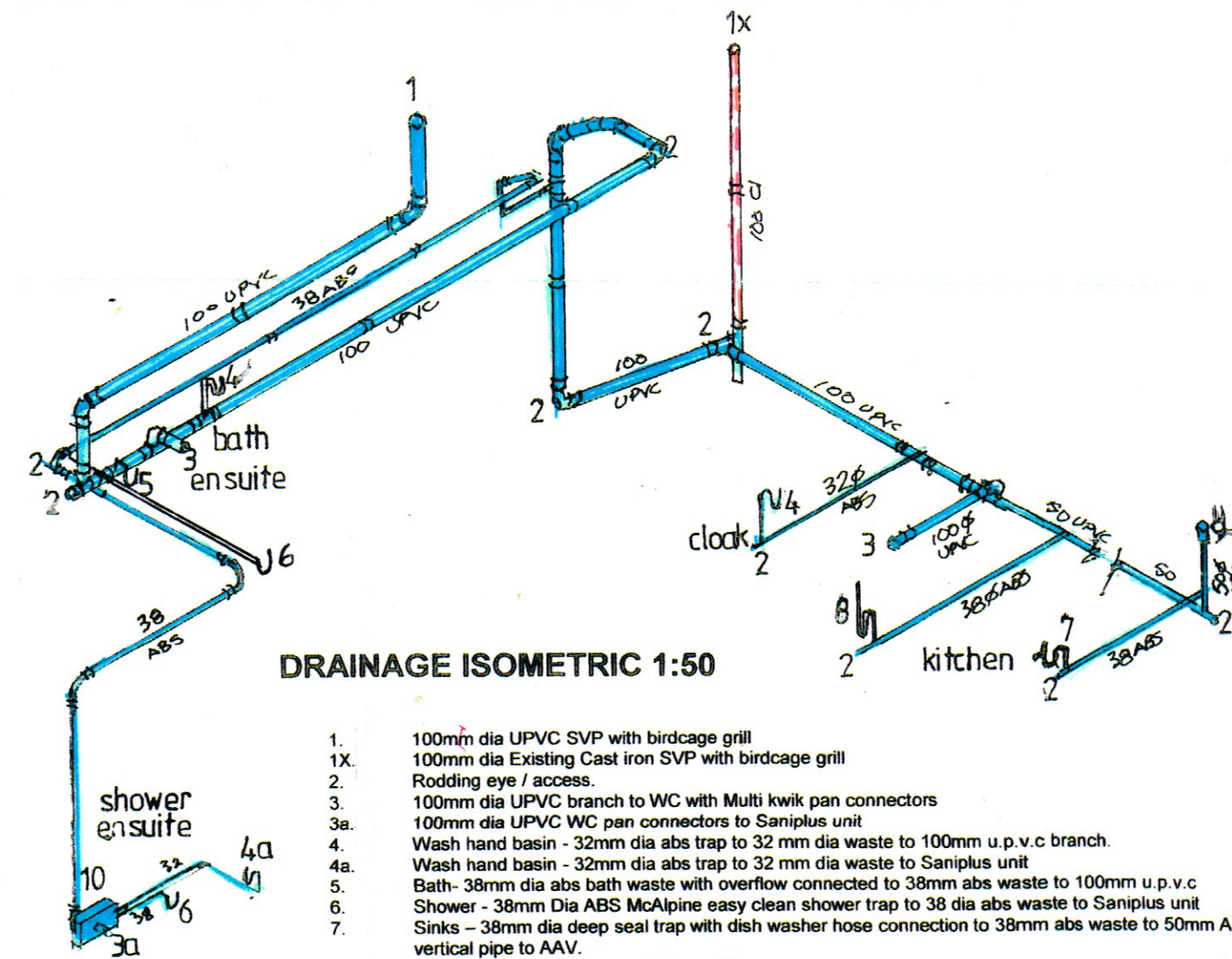
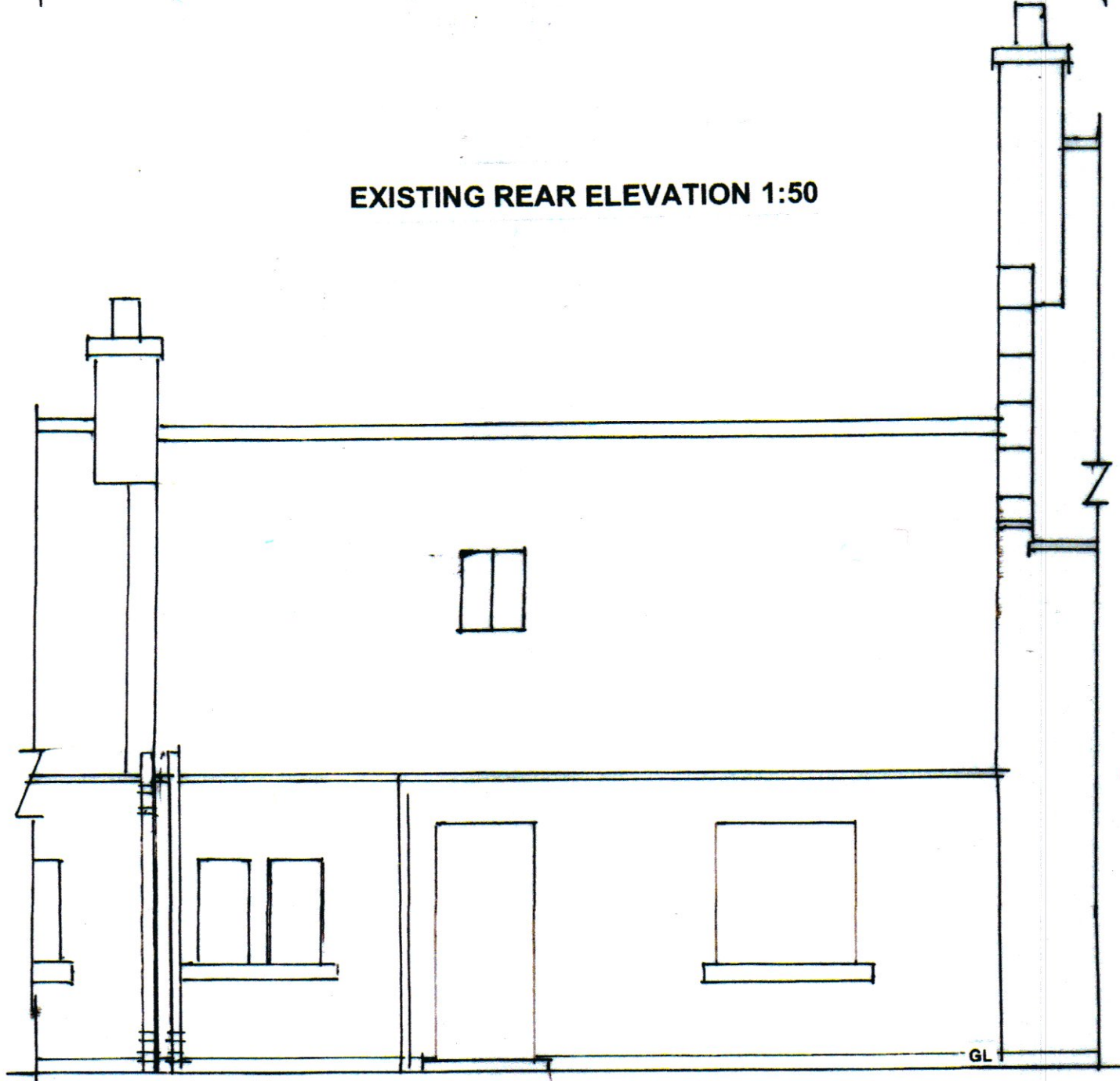


PROPOSED REAR ELEVATION 1:50



SECTION B-B 1:50

EXISTING REAR ELEVATION 1:50



DRAINAGE ISOMETRIC 1:50

1. 100mm dia UPVC SVP with birdcage grill
- 1X. 100mm dia Existing Cast iron SVP with birdcage grill
2. Rodding eye / access.
3. 100mm dia UPVC branch to WC with Multi kwik pan connectors
- 3a. 100mm dia UPVC W/C pan connectors to Saniplus unit
4. Wash hand basin - 32mm dia abs trap to 32 mm dia waste to 100mm u.p.v.c branch.
- 4a. Wash hand basin - 32mm dia abs trap to 32 mm dia waste to Saniplus unit
5. Bath - 38mm dia abs bath waste with overflow connected to 38mm abs waste to 100mm u.p.v.c
6. Shower - 38mm Dia ABS McAlpine easy clean shower trap to 38 dia abs waste to Saniplus unit
7. Sinks - 38mm dia deep seal trap with dish washer hose connection to 38mm abs waste to 50mm ABS vertical pipe to AAV.
8. 38mm standing waste to washing machine
9. Air Admittance Valve. Insulated, encased for protection, accessible, ventilated and above the flood level c the adjacent sink.
10. Saniplus unit with 38mm abs discharge pipe connecting via slow radius bends to external SVP.

NO PART OF THIS DRAWING OR ASSOCIATED SPECIFICATION DETAILS ARE TO BE COPIED WITHOUT THE DIRECT WRITTEN CONSENT OF FGH. ALL DRAWINGS AND DESIGNS ARE REGISTERED FOR COPYRIGHT WITH PROTECT MY WORK.COM © Copyright 2021 FGH ARCHITECTURAL & BUILDING DESIGN SERVICES All Rights Reserved.

Client: Ms Joanne Evans  
 Property Address:  
 6 New Winton Cottages  
 New Winton, East Lothian  
 EH33 2NH

**FGH**  
 Architectural & Building Design  
 1 Fentonbams Farm Cottages  
 North Berwick  
 East Lothian, EH39 5AN

Tel: 07749491795

Date: March 2021

SCALE: 1:50

Read in Conjunction with Specification

PROPOSED & EXISTING REAR ELEVATIONS 1:50  
 SECTION B - B : 1:50

DRAWING NO: D3  
 A



SCALE IS 1:50 WHEN VIEWED IN A2 FORMAT

