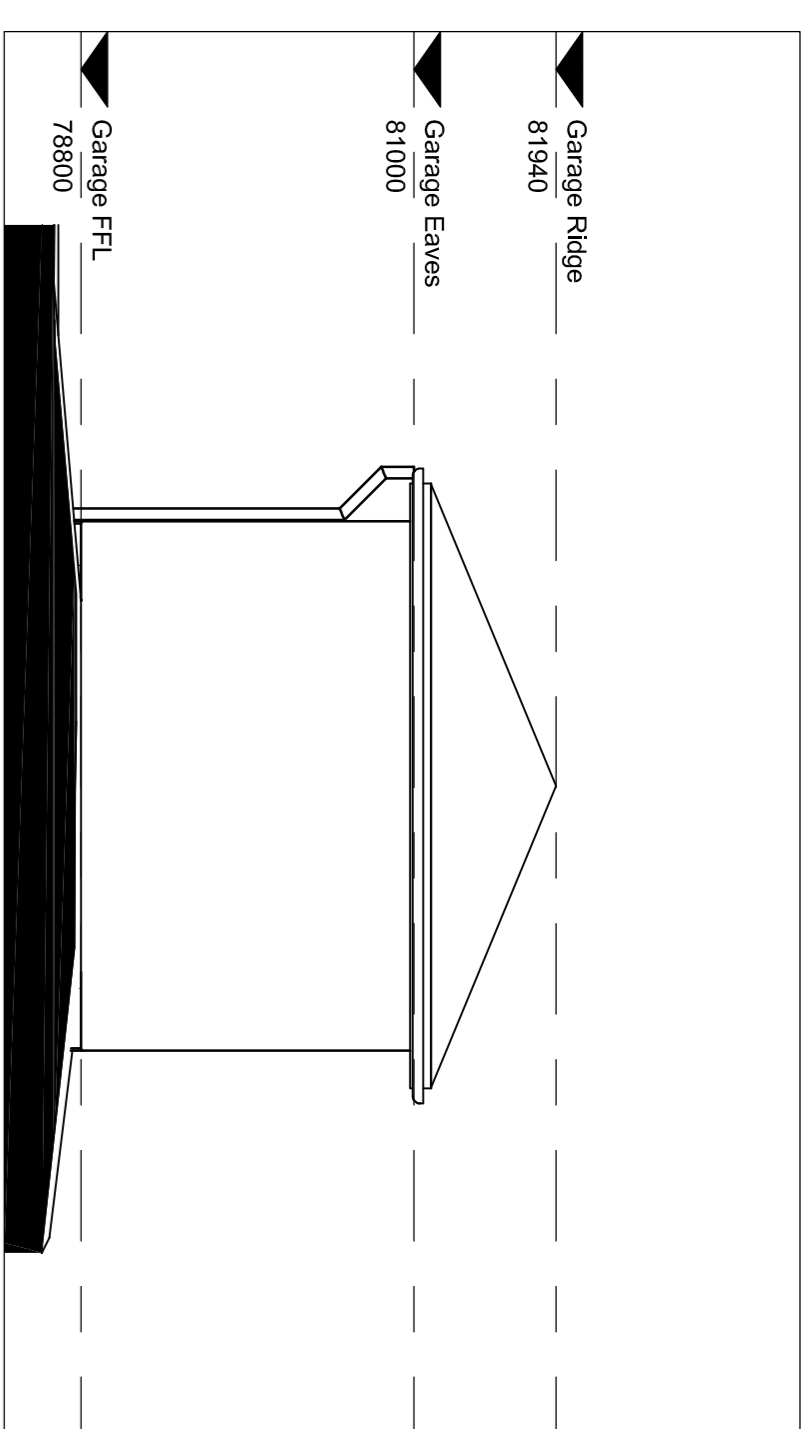
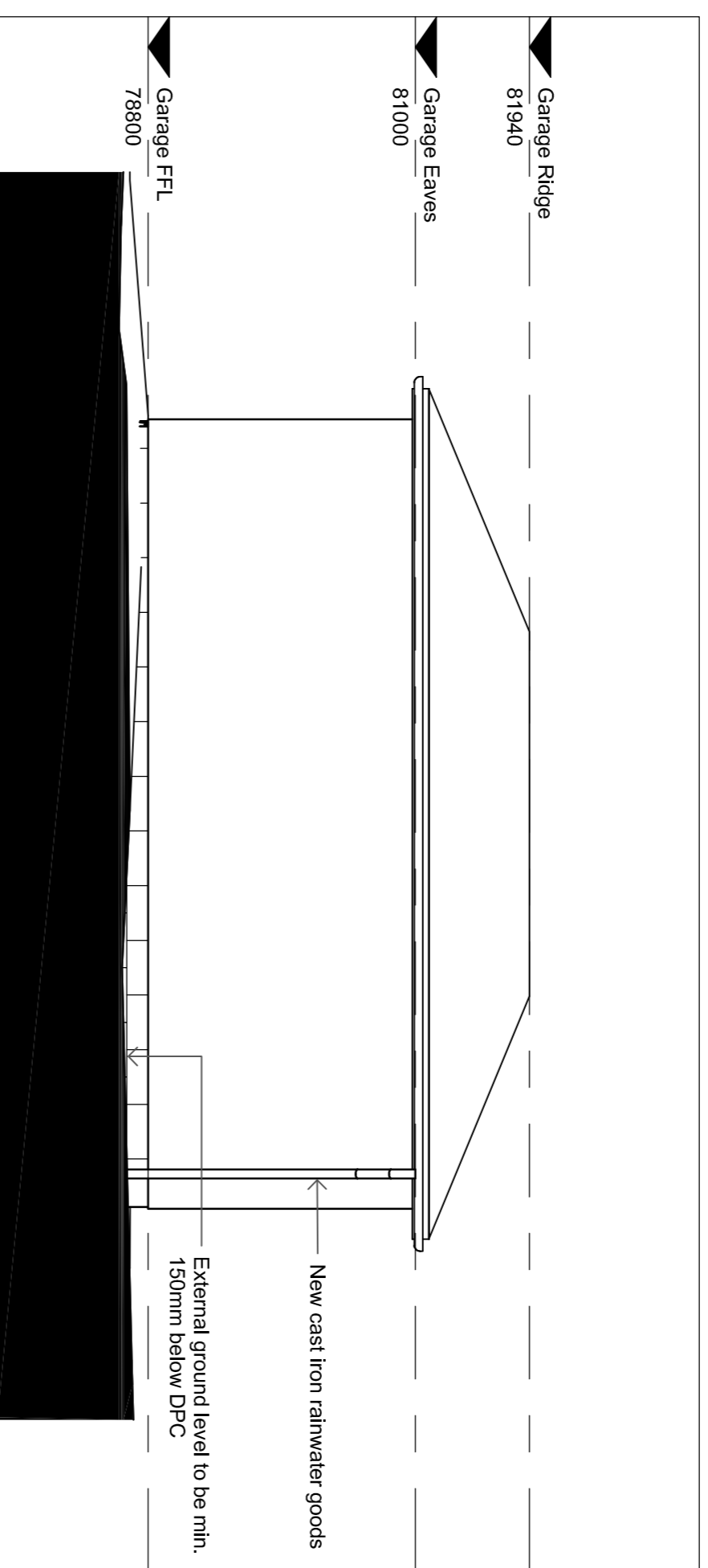


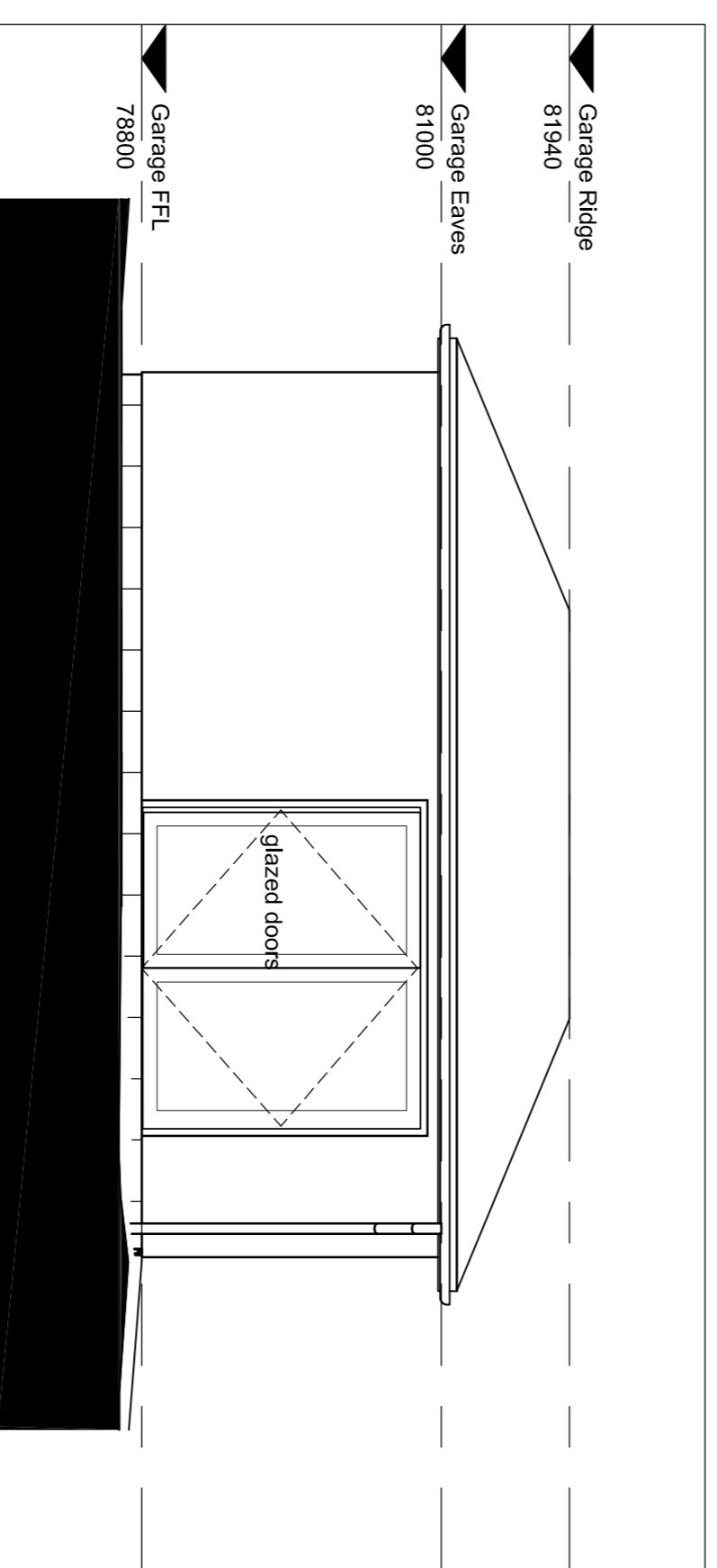
Garage North Elevation
1 : 50



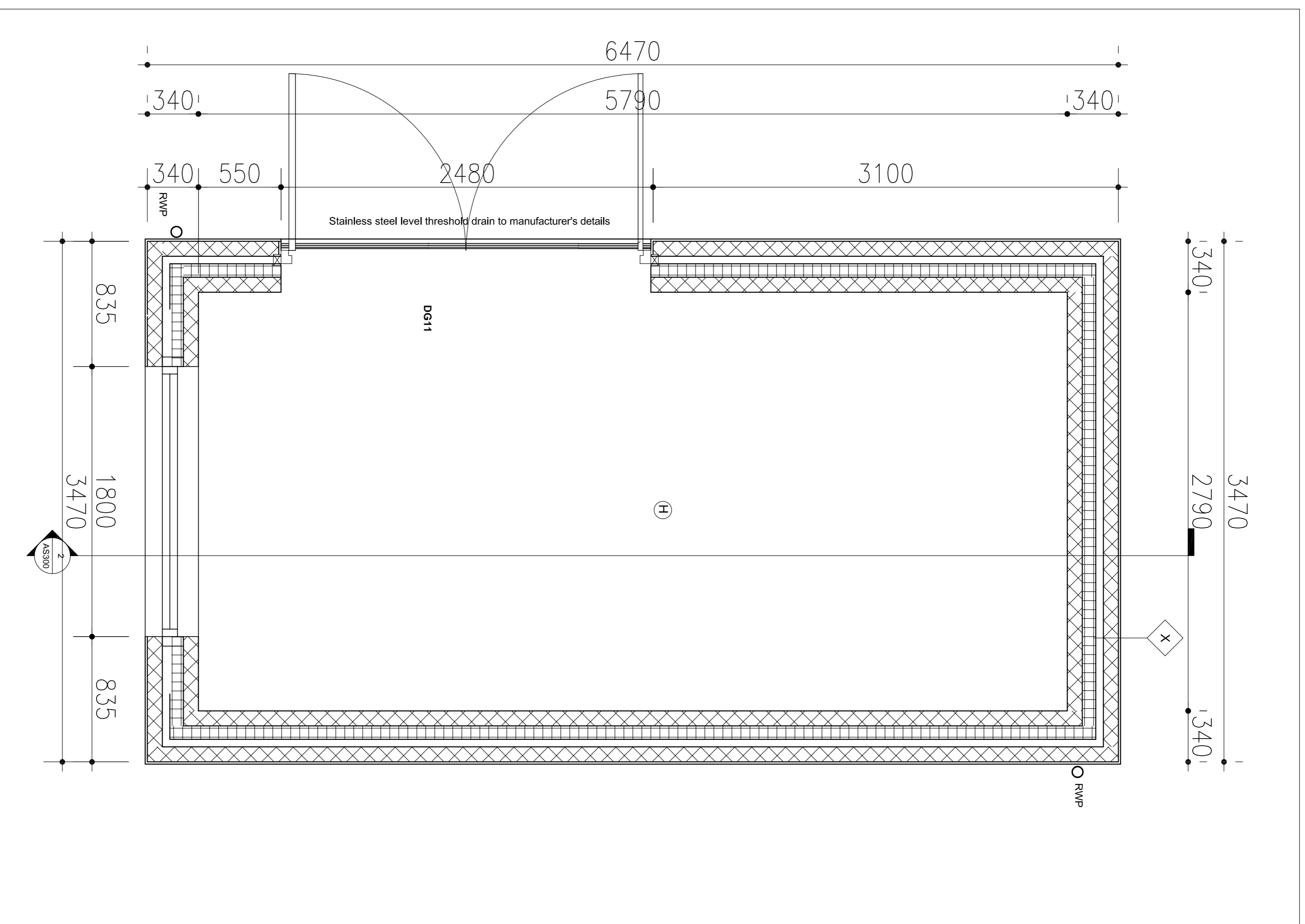
Garage South Elevation
1 : 50



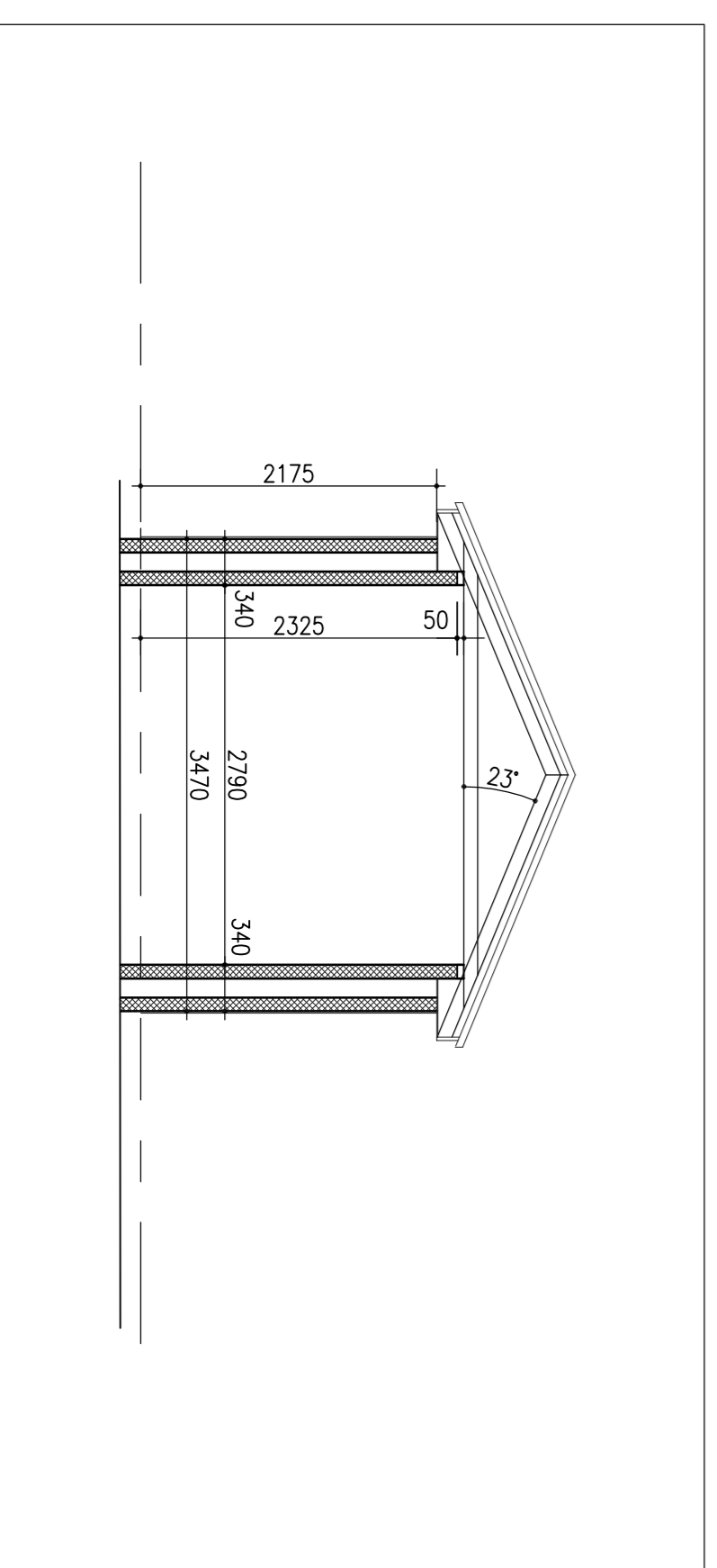
Garage East Elevation
1 : 50



Garage West Elevation
1 : 50



Garage FFL
1 : 20



Section AA
1 : 50

D	24.11.20	Section AA added	nmw
C	29.10.20	Window added	nmw
B	14.10.24	Doors revised to glazed	nmw
A	09/09/20	Tender Issue	AB MW
Rev	2019	Issue for construction	nmw
Rev	2019	Issue for construction	nmw
S		Revision	

TENDER
nmw

Mr & Mrs Ivins
Valetta, Deane Down
Drove, Littleton

Proposed Garage
J19128W
AP105

As indicated
AT
MW

Chaplin Farrant
Winshire Limited
Architects
100, The Quadrant
Street, Winchester, SO23 9DA
Tel: 01962 862234
Fax: 01962 862666
info@winshire-architects.com
www.winshire-architects.com

Also at:
Novich
London

This drawing is copyright of the architect and shall not be reproduced without their permission and shall not be used for any other purpose. Check all dimensions and report any errors or omissions. Do not scale from this drawing.