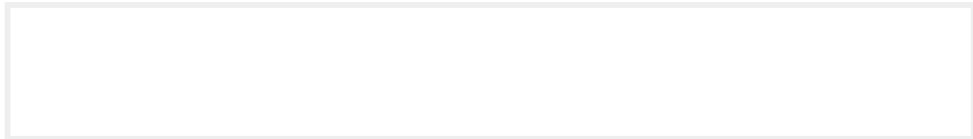


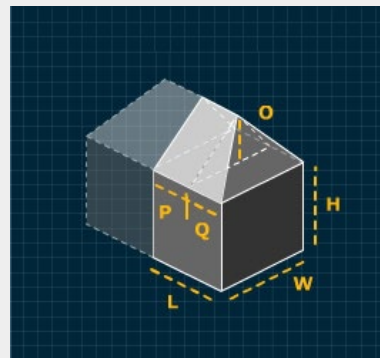
Advertisement



# Volume calculator (pitched roof, one end hip)

Enter the measurements in the fields below and then click the "Calculate" button. Results are shown in the "Total Volume" field. The volume calculator provides the total volume of the element that is illustrated in the image and defined by the measurements shown.

Height	<input type="text"/>	Metres
Width	<input type="text"/>	Metres
Length	<input type="text"/>	Metres
O	<input type="text"/>	Metres
P	<input type="text"/>	Metres
Q	<input type="text"/>	Metres
<b>Total Volume</b>	<input type="text"/>	Cubic Metres



## Note on taking measurements

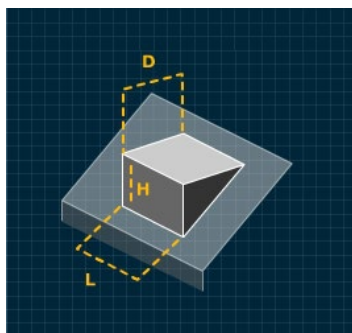
All dimensions must be based on external measurements of the building or structure involved and not internal measurements.

## Disclaimer

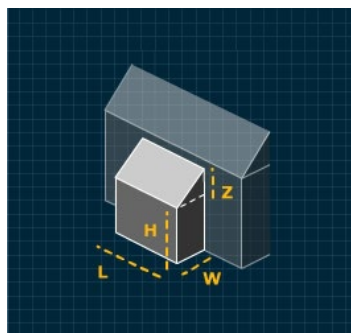
These calculators are based on standard building shapes.

They should be used with care if the building you are measuring involves a combination of these forms or differs in a significant way from those in the calculator.

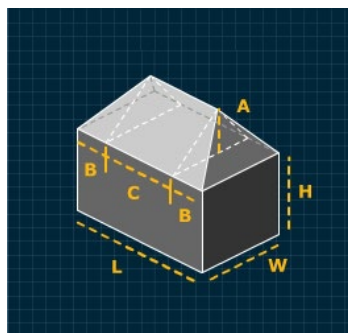
If in doubt seek advice from a qualified person or your local planning authority.



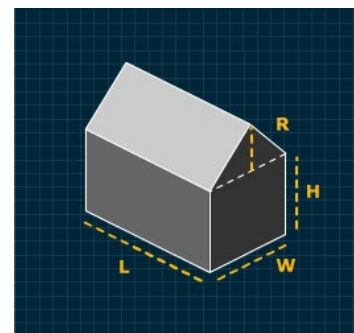
Dormer Window, Flat Roof



Lean-to, Single Pitch Roof



Pitched Roof, Two End Hips



Pitched Roof, Two End Gables

### Do you need permission?

[Common projects](#)

[Your responsibilities](#)

[What to do next](#)

### Interactive guides

[Interactive house](#)

[Loft conversions guide](#)

[Extensions guide \(single storey\)](#)

[Extensions guide \(two storey\)](#)

[Conservatories guide](#)

[Outbuildings guide](#)

[Porches guide](#)

### Planning

[Start a planning application](#)

[View your planning applications](#)

[The decision-making process](#)

[How to apply](#)

[Consent types](#)

[Policy and legislation](#)

[Appeals](#)

[Buy a planning map](#)

[Greener homes](#)

[Community Infrastructure Levy](#)

[Find a builder](#)

[Find a planning consultant](#)

### Building control

[Start a building control application](#)

[View your building control applications](#)

[Approved Documents](#)

[How to get approval](#)

[Your responsibilities](#)

[Find your Local Authority BC team](#)

[Find an Approved Inspector](#)

### News

[Latest news](#)

[Blog](#)

[Jobs](#)

### Services and information

[Information](#)

[Professional Portal](#)

[Local authorities](#)

[Advertise with us](#)

[Contact us](#)

[FAQs](#)

[Terms and conditions](#)

[Planning Portal Conference](#)

## About us

[Mission and vision](#)

[Meet the team](#)

PortalPlanQuest is a joint venture between TerraQuest and the Department for Communities and Local Government.

All content © 2021 Planning Portal. Handcrafted by Spacecraft. Powered by Jadu.