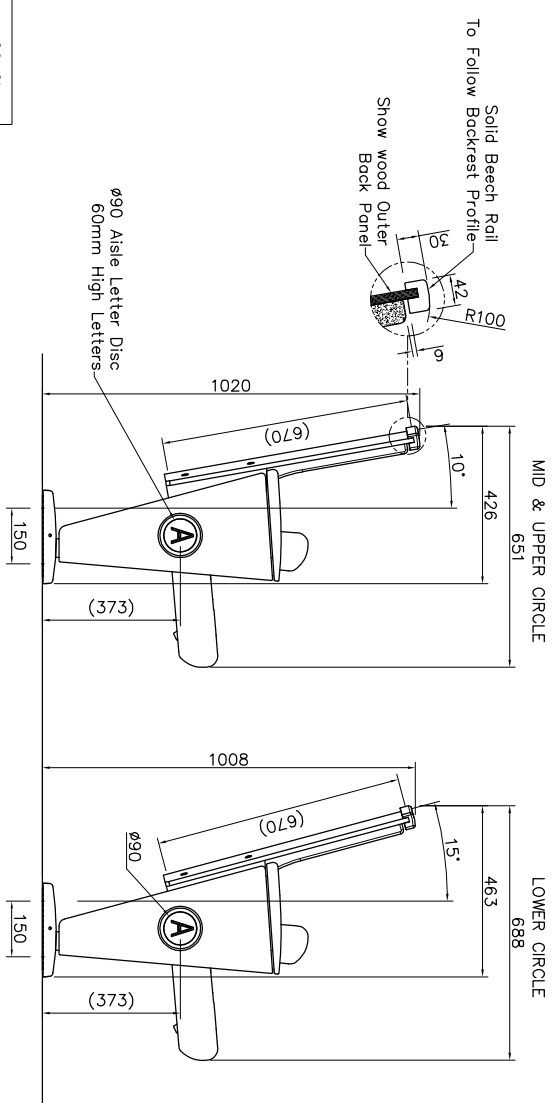
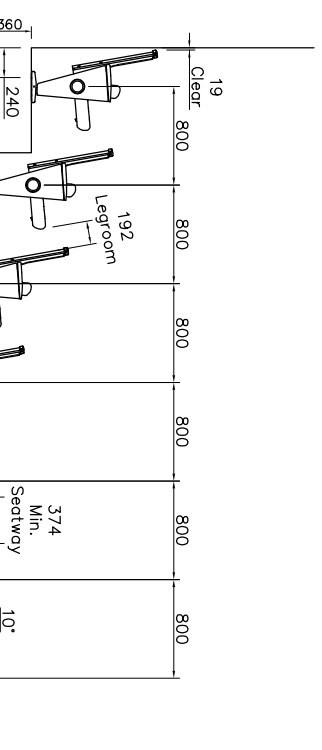


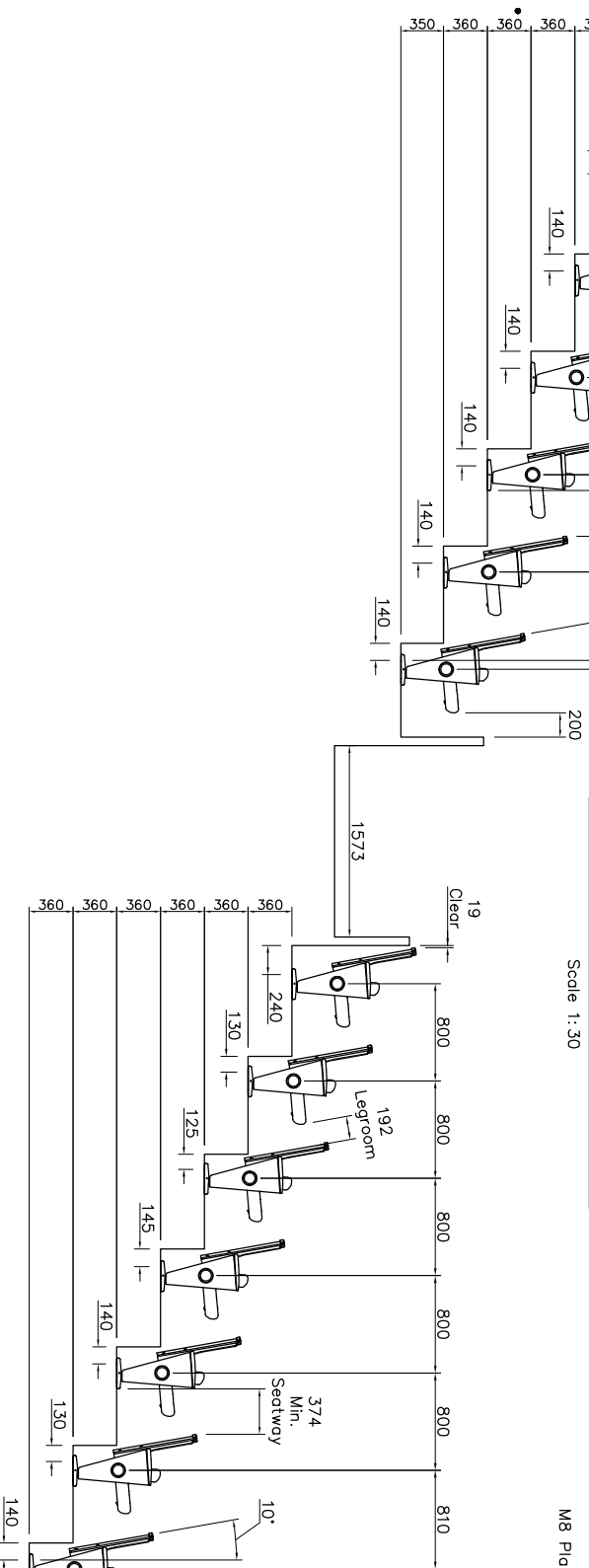
Ref	Fixed Seating Specification
1	Seat Style Icon (Custom)
2	Seat Centres 500, 520, 540mm
3	Seat Type Tread Fixed
4	Seat Fabric Colour Camira Xtreme Seatpans Flores Y5161 Backrests Flores Y5072, Solano Y5072, Nougat Y5091
5	Seat Frame Finish EPC RAL 9005 Matt Jet Black
6	Arm Type & Finish Shaped Solid white beech, stained to match walnut panelling sample and clear lacquered. Armrests to be 'reverse mounted', sloping / tapering down from back to front of chair.
7	End Panel Beech Veneered Plywood, stained to match walnut panelling sample and clear lacquered. Recess required for ø90mm disc letter.
8	Backrest Beech Veneered Plywood With Shaped Kin Dried Beech Rail Profile Attached To The Top, stained to match walnut panelling sample and clear lacquered
9	Beverage Tables 12 pc - Solid White Beech Tables With Dummy Timber Backrest (No Upholstery), stained to match walnut panelling sample and clear lacquered
10	Seat Numbers 832pc - See Layout
11	Row Letters 135pc - See Layout
12	Row Depth Variable - 800mm nominal
13	Seating Capacity 832 + 4 WC Total



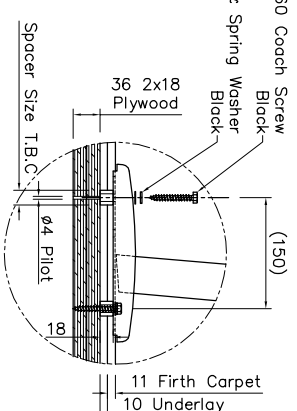
CHAIR DETAIL VIEW
Scale 1:10



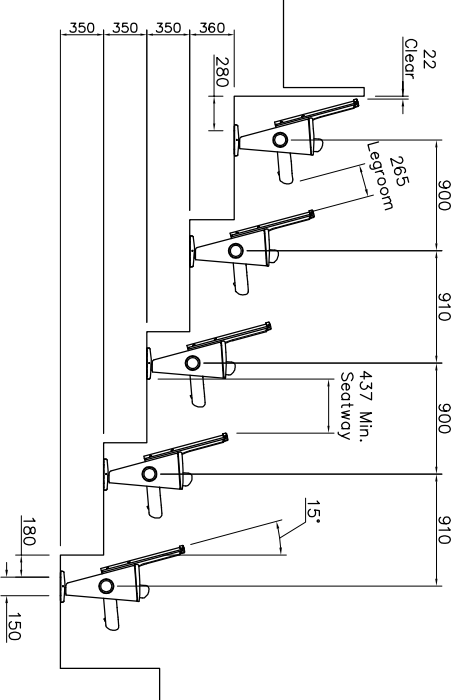
PARTIAL SECTION ON DISABLED BAY
Scale 1:30



SECTION VIEW ON FIXED SEATING
Scale 1:30



FLOOR FIXING DETAIL
Scale 1:5



CIRCLE LEVEL SECTION DETAIL
FOR

IMPORTANT NOTE: ■ DENOTES CRITICAL DIMENSIONS TO BE HELD ON COMPLETION OF CONSTRUCTION TO ENSURE SEATING SYSTEM IS CORRECTLY ACCOMMODATED.

IMPORTANT NOTE: FIRE OFFICER AND/OR BUILDING CONTROL APPROVAL MAY BE REQUIRED FOR THE EXIT ROUTE (INCLUDING AISLE WIDTHS, SEATWAYS & CHAIR QUANTITIES) SHOWN ON THE DRAWING.

Submital For Approval

Submital No. 1
Audience Systems Ltd.
This Drawing Is To Be Signed And Returned To Audience Systems Prior To The Start Of Engineering/Manufacture Work.
Customer Approval.
Print Name. _____ Company. _____

Signed. _____ Date. _____

△	Initial Issue	15/07/20	N. Sep	N. Sep
△				
△				
△				



PROJECT	CIRCLE LEVEL SECTION DETAIL	DATE	15/07/2020	SCALE	1/30@A1
	FOR	DRAWN	N.S.	CHECKED	N.S.
	THE GLOBE THEATRE, STOCKTON	PROJECT NO.	AS/10319/04 A	APPROVED	