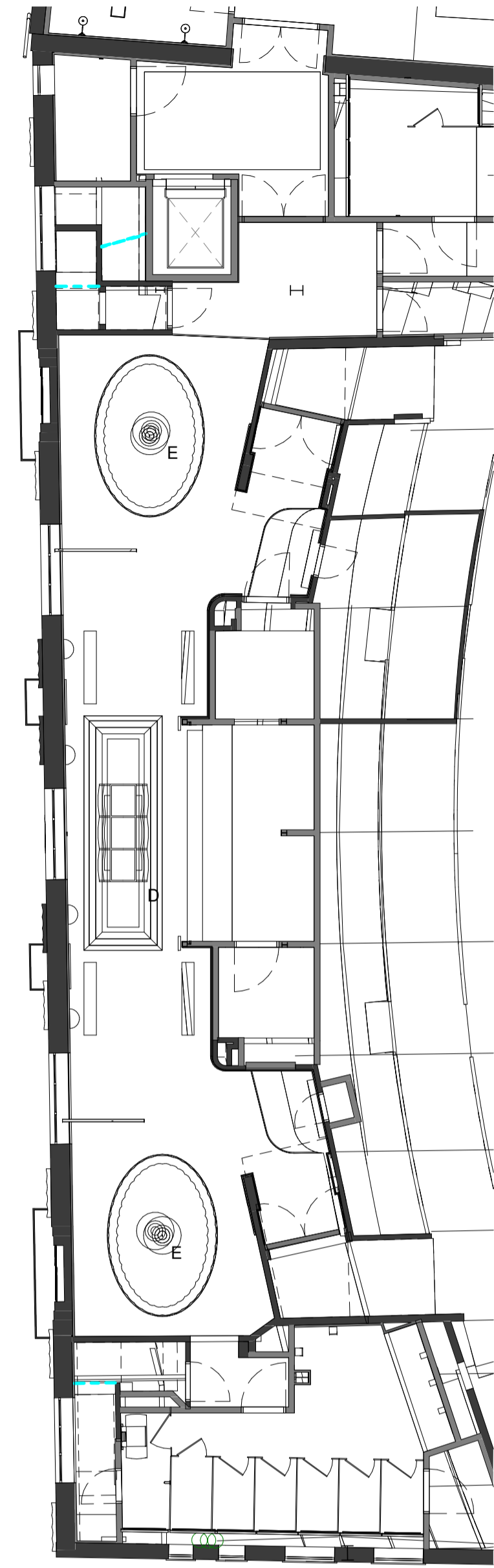
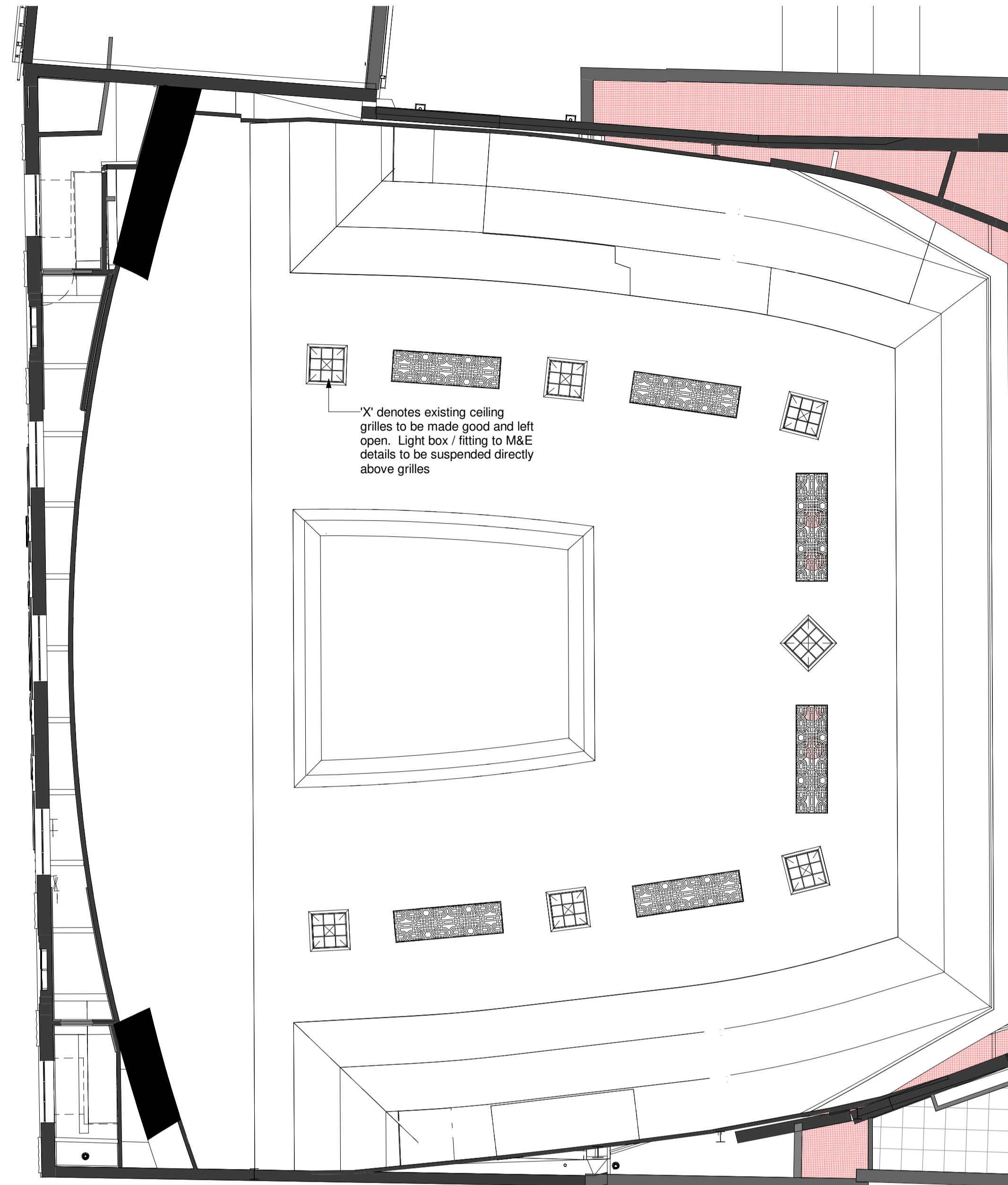


Revision	Description	Author	Checker	Date
P1	First Issue	GB	DC	29.01.2019
P2	Type A fittings omitted for upper circle in line with VE51	GB	DC	05.03.2020
C1	Issued for construction	LB	DC	27.07.2020



Circle Bar Heritage Lighting

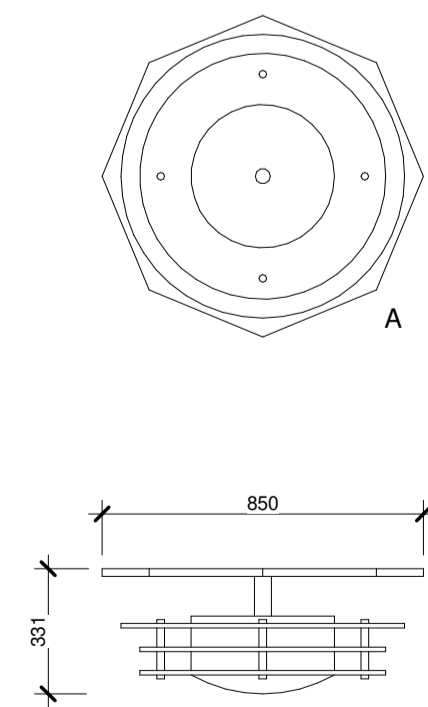
1 : 100



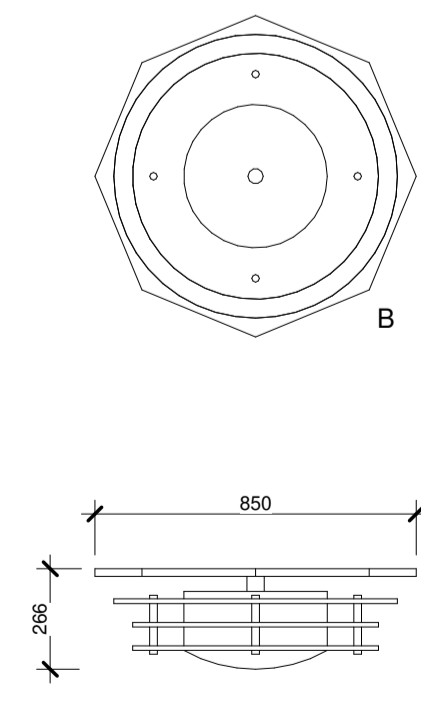
Circle Level Heritage Lighting

1 : 100

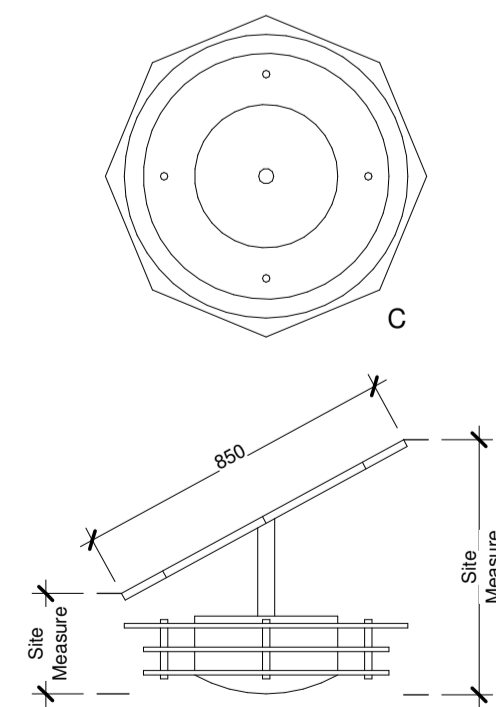
Heritage Fitting Type A



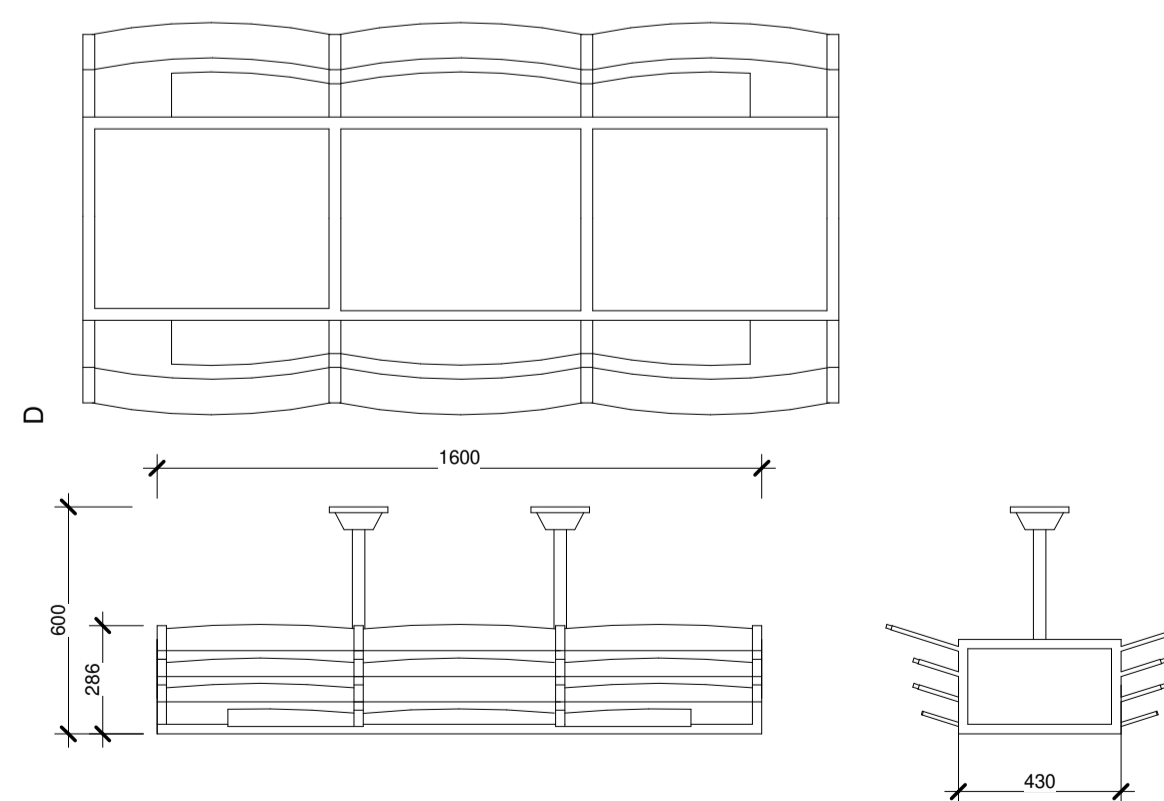
Heritage Fitting Type B



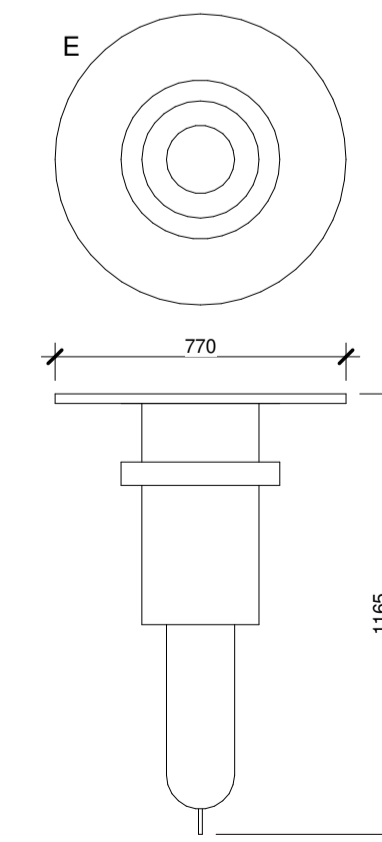
Heritage Fitting Type C



Heritage Fitting Type D



Heritage Fitting Type E

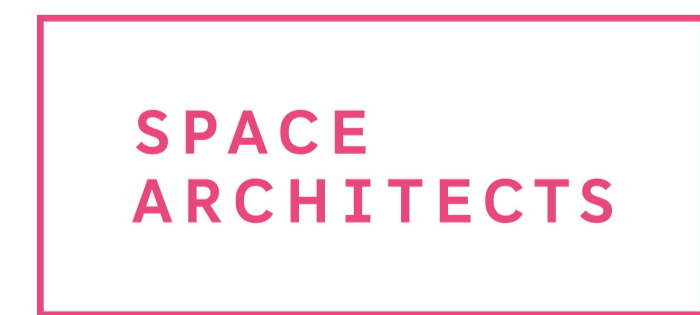


Heritage Fitting Type F



Heritage Light Fitting Types

1 : 20



Spaceworks
Benton Park Road
Newcastle upon Tyne
NE7 7LX
T: +44 (0)844 800 6660
www.spacearchitects.co.uk

Project STOCKTON GLOBE				
Drawing Title Circle Bar & Upper Circle Heritage Lighting				
Project No. K00186	Drawing No. ZZ-XX-DR-A-63-0002	Suitability S0	Revision C1	Scale at A1 As indicated
File Reference: K00186-SPACE-XX-DR-A-63-0002-SD-C1				