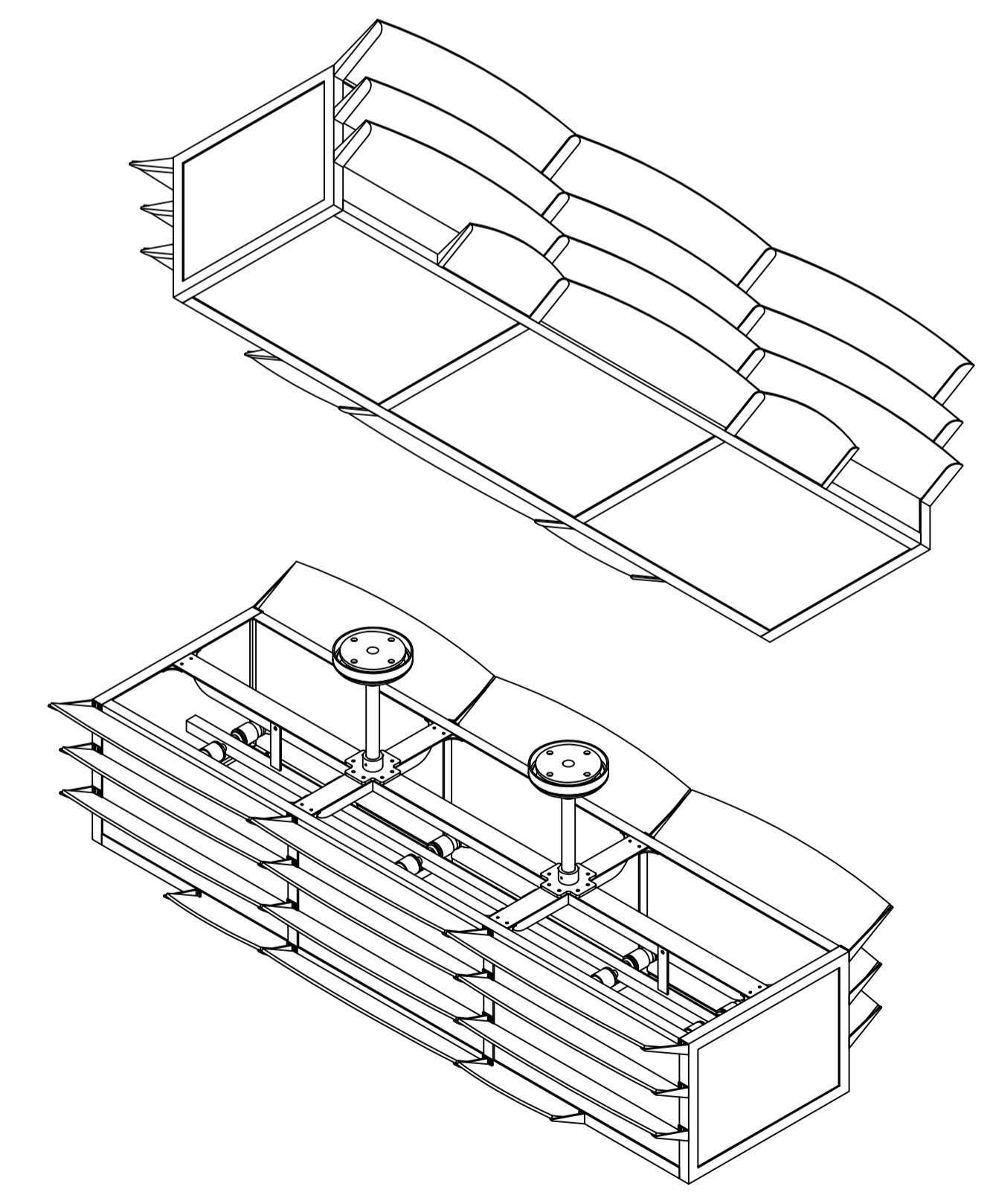
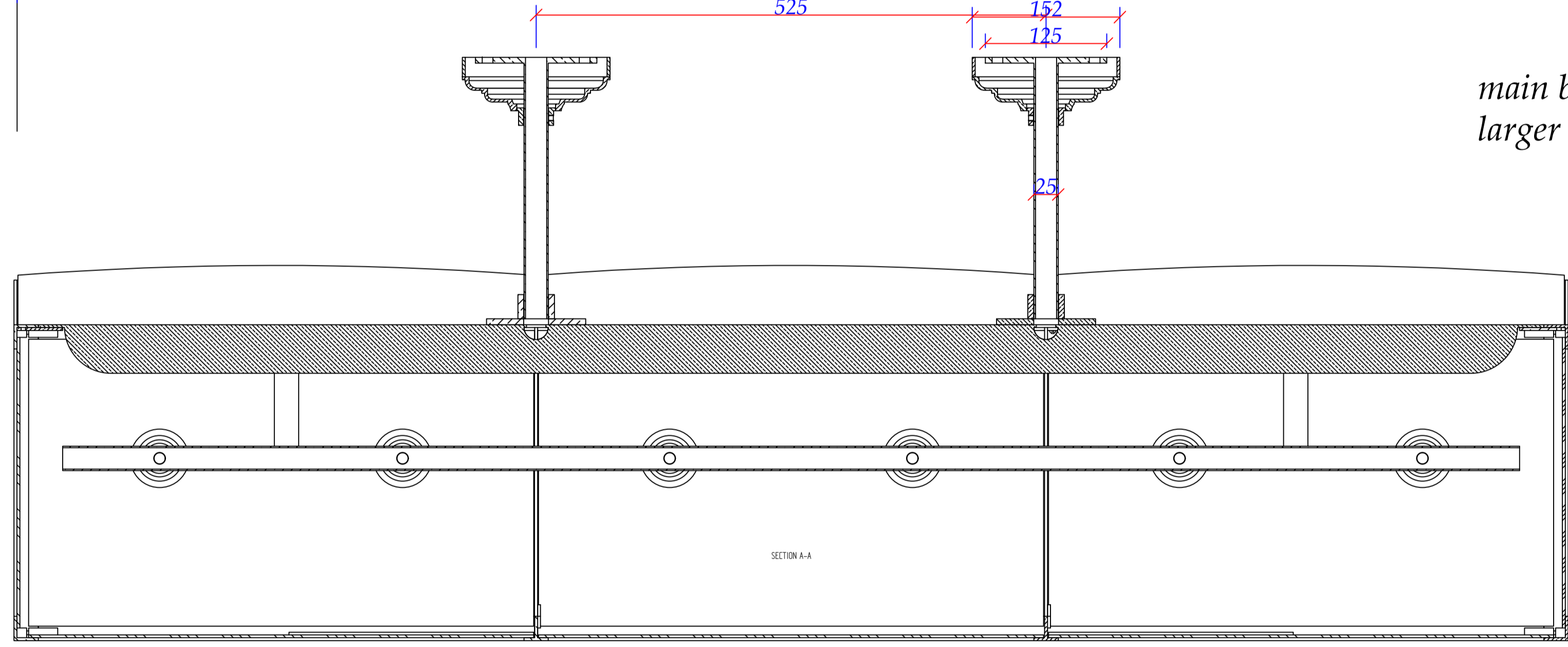
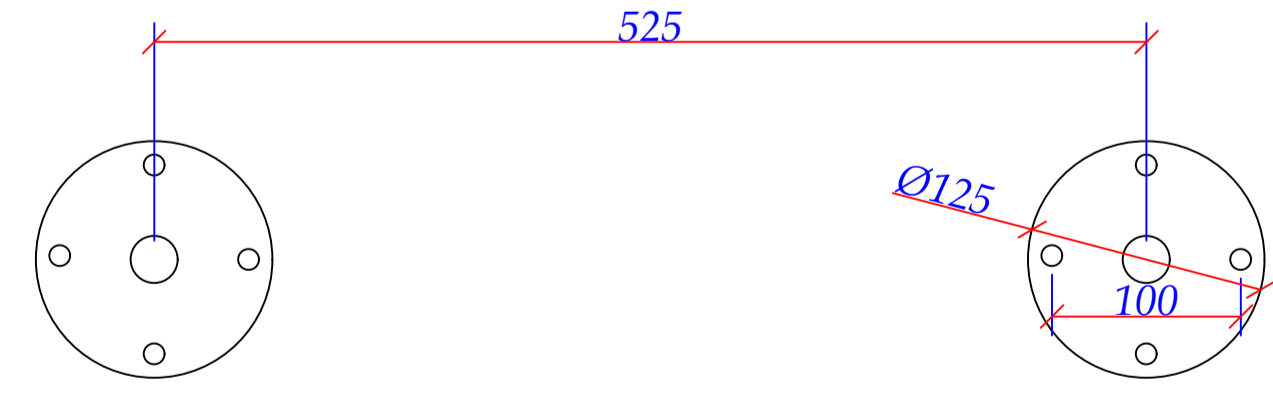


main body from 25 x 25 angle
larger unit was from 30 x 30 mm



MAIN FRAME MADE FROM BRASS
PERSPEX PANELS TO SIDE AND
BOTTOM
DROP RODS BRASS
TOP COVER PLATES BRASS



DENHAM WAY
FLEETWOOD
LANCASHIRE
FY7 4PX
TEL - 01253 875503
FAX - 01253 778866
EMAIL - sales@greatbritishlighting.co.uk

CUSTOMER >	Mc Nally & Thompson
PROJECT >	Stockton Globe Theatre
CUSTOMER REF >	Heritage Type D 1600 Long
GBL QUOTE No >	33166
MATERIAL >	Brass & Perspex
FINISH >	Nickel Plated
LAMP DETAIL >	12 No ES Lampholders
DRAWN BY >	T D Burman
DATE DRAWN >	Wednesday 30th September 2020
SCALE >	1:4 on A1 DO NOT SCALE
QUANTITY >	

This drawing is the property of GBL (NW) Ltd and is not to be used without prior consent from GBL(NW)Ltd