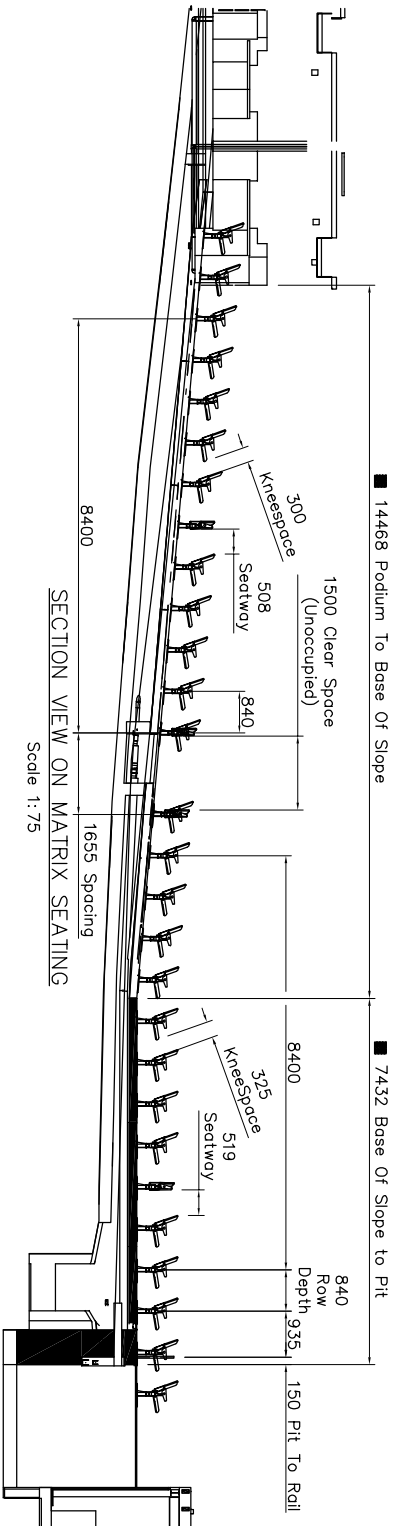
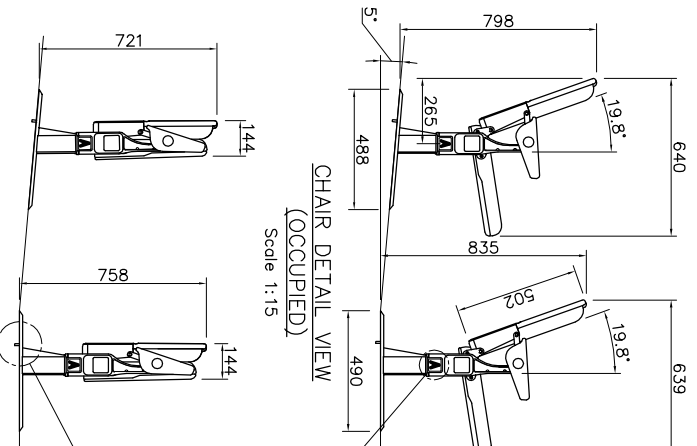


PLAN VIEW ON MATRIX SEATING
Scale 1:75



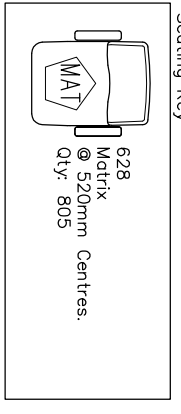
SECTION VIEW ON MATRIX SEATING
Scale 1:75



Matrix Seat Frames	Matrix Floor Bars
2 Seat Frames	Single Floor Bar
188	Sloped: 230
3 Seat Frames	Single Floor Bar
143	Flat: 163
	Total:
	393

Total Seat Count: 805

Ref	Fixed Seating Specification
1	Seat Style 628
2	Seatpan Pocket Spring Seat Base With Plastic Underpanel
3	Backrest Plastic Outer Back
4	Seat Centres 520mm
5	Seat Type Matrix
6	Seat Fabric Colour Camira Xtreme Colour - Flores YS161
7	Seat Frame Finish EPC RAL 9005 Matt Jet Black
8	Arm Type & Finish Black ABS
9	Seat Numbers 805pc Magnetic Removable - See Layout
10	Row Letters 78pc Removable - See Layout
11	Row Depth 840mm
12	Seating Capacity 805 + 8 WC Total



IMPORTANT NOTE: ■ DENOTES CRITICAL DIMENSIONS TO BE HELD ON COMPLETION OF CONSTRUCTION TO ENSURE SEATING SYSTEM IS CORRECTLY ACCOMMODATED.

IMPORTANT NOTE: FIRE OFFICER AND/OR BUILDING CONTROL APPROVAL MAY BE REQUIRED FOR THE EXIT ROUTE (INCLUDING AISLE WIDTHS, SEATWAYS & CHAIR QUANTITIES) SHOWN ON THE DRAWING.

Submital For Approval

Submital No. 2
Audience Systems Ltd.
This Drawing Is To Be Signed And Returned To Audience Systems Prior To The Start Of Engineering/Manufacture Work.
Customer Approval.
Print Name: _____ Company: _____
Signed: _____ Date: _____